

SERIES WE20 | W.E. ANDERSON BUTTERFLY VALVE

FEATURES/BENEFITS

- Capable of being configured as manual operated, pneumatic actuated, or electric actuated to suit any application
- Limit switches can be mounted to manual valves for remote monitoring
- Extended neck for insulation clearance
- Phenolic backed cartridge seat designed for extended service and ease of replacement
- 2" to 12" sizes available for a variety of applications

APPLICATIONS

- Liquid, air, gas, and steam control
- Petroleum and petrochemical
- Hydroelectric power plants
- Waste treatment plants
- Pneumatic conveying systems

DESCRIPTION

The **SERIES WE20** Butterfly Valve is offered in lug or wafer body styles and is equipped with a PTFE or EPDM liner. The most critical aspect of the Series WE20 Butterfly Valves is the cartridge seat design, which alleviates installation problems associated with common "dove tail design" seats. Valve torques are lower and more consistent as the seat dynamics are not dependent on being coupled between two flanges. Precision machining of the disc and body allow the cartridge design to maintain a tighter disc to seat tolerance, providing a perfect low torque seal each and every time the valve is cycled. The seat to disc seal is independent of flange support and capable of full rated dead end service. Actuators are directly mounted creating a compact assembly for tight spaces. Limit switches are able to be mounted directly to the valves allowing for remote position indication. The Series WE20 can be configured with either an electric or pneumatic actuator.



dwyer-inst.com

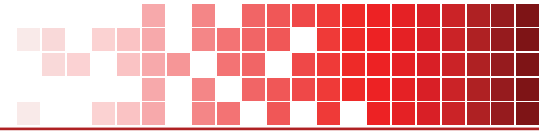
DWYER INSTRUMENTS, INC.

T: 219-879-8000 | F: 219-872-9057 | info@dwyermail.com
800-872-9141

1.888.610.7664

 www.calcort.com

sales@calcort.com



SPECIFICATIONS

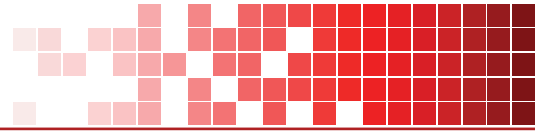
Service	Compatible liquids, gases, and steam.
Body	2-way, wafer, or lug butterfly.
Line Sizes	2" to 12".
Pressure Limits	Lug and wafer pattern designed for flanges that are ANSI Class 125 (B16.1) and ANSI 150 (B16.5) dimension.
Wetted Materials	Body material: Ductile iron; Disc: 316 SS; Seat: EPDM or PTFE; O-ring: EPDM; Stem: 410 SS.
Temperature Limits	Disc: EPDM: -50 to 150°F (-46 to 121°C); PTFE: 0 to 300°F (-18 to 149°C).
Bearings	Nylatron.
Operator	2 to 6": 10-position locking hand lever; 8 to 12": Manual gear.

ACTUATOR SPECIFICATIONS

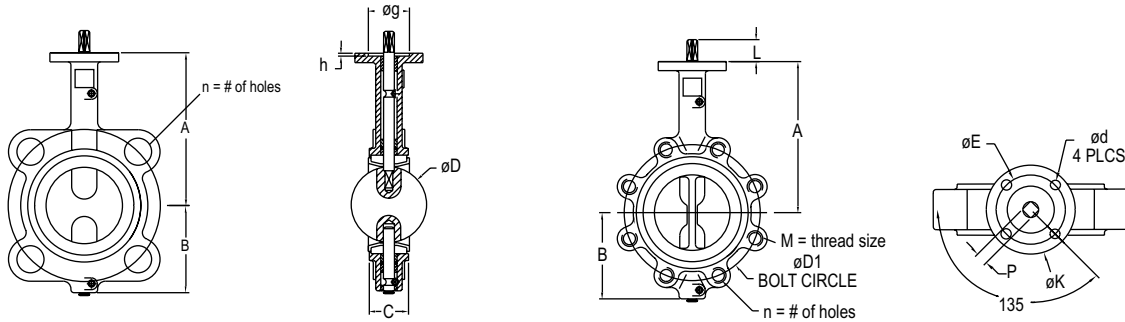
Pneumatic Actuator Type	"SR" Actuators	"DA" Actuators
Normal Supply Pressure	70 to 115 psi.	40 to 115 psi.
Air Connections	SR03 to SR11: 1/4" female NPT.	DA03 to DA11: 1/4" female NPT.
Housing Material	Anodized aluminum body and epoxy coated aluminum end caps.	Anodized aluminum body and epoxy coated aluminum end caps.
Temperature Limits	-40 to 176°F (-40 to 80°C).	-40 to 176°F (-40 to 80°C).

Electric Actuator Type	"TD" and "MD" Actuators	"TI" and "MI" Actuators
Power Requirements	110 VAC, 220 VAC, 24 VAC, or 24 VDC (MD models not available in 24 VDC).	110 VAC, 220 VAC, 24 VAC, or 24 VDC.
Enclosure Rating	NEMA 4X.	NEMA 7, designed to meet hazardous locations: Class I, Group C & D; Class II, Group E, F, & G; Division I & II.
Housing Material	Powder coated aluminum.	Powder coated aluminum.
Temperature Limits	-22 to 140°F (-30 to 60°C).	-22 to 140°F (-30 to 60°C).
Electrical Connection	1/2" female NPT.	1/2" female NPT.
Modulating Input	4 to 20 mA.	4 to 20 mA.
Standard Features	Manual override, position indicator, and TD models come with two limit switches.	Position indicator and two limit switches.



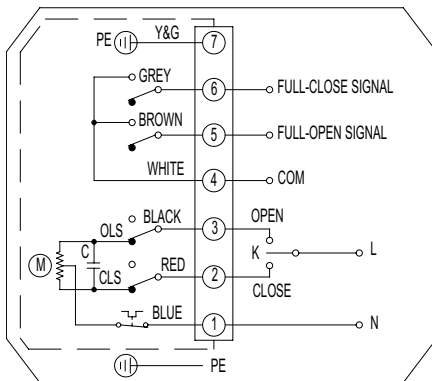


DIMENSIONS

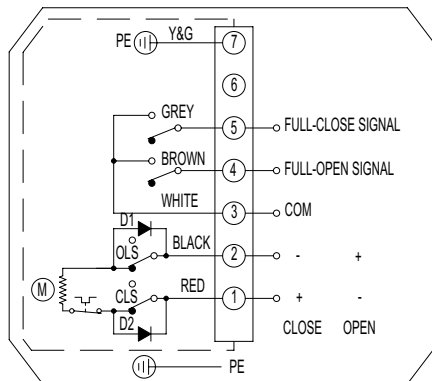


DIMENSIONS in [mm]																
Size	A	B	C	øD	øD1	n, WF	n, LT	M	øK	øE	ød	h	L	P	LO	ISO 5211
2"	6-11/32 [161.13]	3-11/32 [85]	1-21/32 [42.07]	2-5/64 [52.78]	4-3/4 [120.65]	4	4	5/8 [15.88]	3-1/32 [76.99]	1-31/32 [50.01]	9/32 [7.14]	1-25/64 [35.32]	1-17/64 [32.15]	23/64 x 23/64 [9.13 x 9.13]	10-41/64 [270.27]	F05
2-1/2"	6-57/64 [175.02]	3-55/64 [98]	1-49/64 [44.85]	2-35/64 [64.69]	5-1/2 [139.70]	4	4	5/8 [15.88]	3-1/32 [76.99]	1-31/32 [50.01]	9/32 [7.14]	1-25/64 [35.32]	1-17/64 [32.15]	23/64 x 23/64 [9.13 x 9.13]	10-41/64 [270.27]	F05
3"	7-9/64 [181.37]	4-3/32 [104]	1-25/32 [45.24]	3-7/64 [78.98]	6-1/16 [153.99]	4	4	5/8 [15.88]	3-1/32 [76.99]	1-31/32 [50.01]	9/32 [7.14]	1-25/64 [35.32]	1-17/64 [32.15]	23/64 x 23/64 [9.13 x 9.13]	10-41/64 [270.27]	F05
4"	7-7/8 [200.03]	4-27/32 [123]	2-1/16 [52.39]	4-7/64 [104.38]	7-1/2 [190.50]	4	8	5/8 [15.88]	3-35/64 [90.09]	2-49/64 [70.25]	23/64 [9.13]	2-11/64 [55.17]	1-17/64 [32.15]	7/16 x 7/16 [11.11 x 11.11]	10-41/64 [270.27]	F07
5"	25/64 [213.12]	5-11/32 [136]	2-5/32 [54.77]	4-55/64 [123.43]	8-33/64 [216.30]	8	8	3/4 [19.05]	3-35/64 [90.09]	2-49/64 [70.25]	23/64 [9.13]	2-11/64 [55.17]	1-17/64 [32.15]	9/16 x 9/16 [14.29 x 14.29]	10-41/64 [270.27]	F07
6"	8-29/32 [226.22]	5-53/64 [148]	2-13/64 [55.96]	6-9/64 [155.97]	9-33/64 [241.70]	8	8	3/4 [19.05]	3-35/64 [90.09]	2-49/64 [70.25]	23/64 [9.13]	2-11/64 [55.17]	1-17/64 [32.15]	9/16 x 9/16 [14.29 x 14.29]	10-41/64 [270.27]	F07
8"	10-1/4 [260.31]	7-5/16 [186]	2-25/64 [60.72]	7-63/64 [202.80]	11-49/64 [298.85]	8	8	3/4 [19.05]	4-59/64 [125.02]	4-1/64 [102]	29/64 [11.5]	2-49/64 [70.25]	1-1/2 [38]	43/64 x 43/64 [17.07 x 17.07]	14-3/16 [360.36]	F10
10"	11-1/2 [292.10]	8-11/32 [212]	2-19/32 [65.88]	9-7/8 [250.83]	14-17/64 [362.35]	12	12	7/8 [22.23]	4-59/64 [125.02]	4-1/64 [102]	29/64 [11.5]	2-49/64 [70.25]	1-1/2 [38]	7/8 x 7/8 [22.23 x 22.23]	19-11/16 [500.06]	F10
12"	13-9/32 [337.34]	9-7/8 [251]	3-1/32 [76.99]	11-7/8 [301.63]	17-1/64 [432.20]	12	12	7/8 [22.23]	5-33/64 [140.10]	4-1/64 [102]	29/64 [11.5]	2-49/64 [70.25]	1-1/2 [38]	7/8 x 7/8 [22.23 x 22.23]	19-11/16 [500.06]	F10

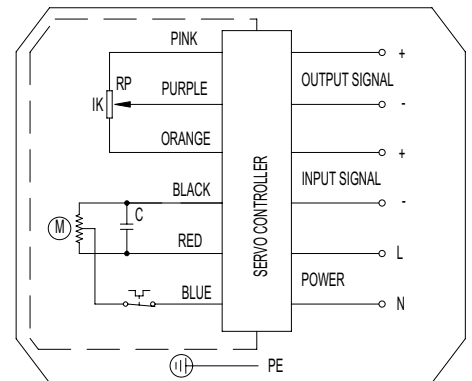
WIRING DIAGRAMS



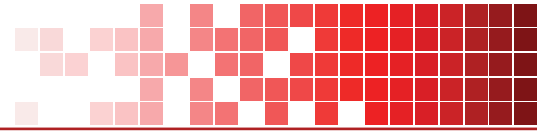
TD02-A to TD07-A: 110 VAC, TD02-B to TD07-B: 220 VAC, TD02-C to TD07-C: 24 VAC



TD02-D to TD07-D: 24 VDC

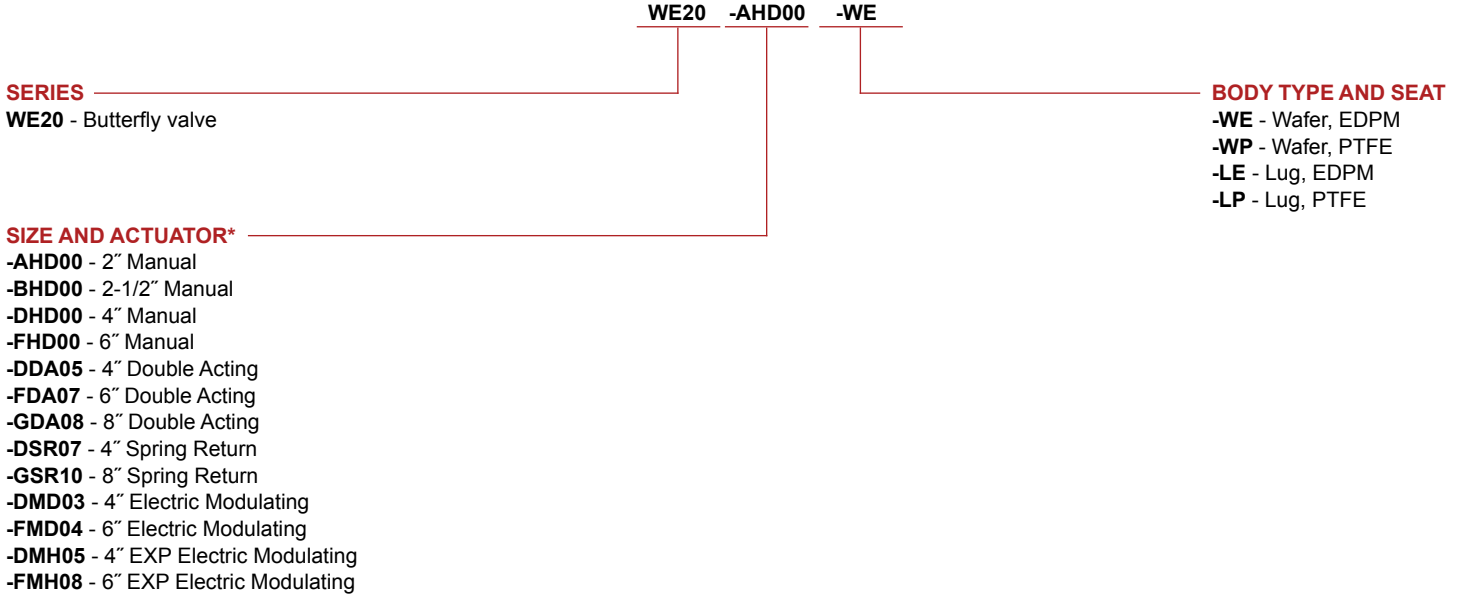


MD02-A to MD07-A: 110 VAC, MD02-B to MD07-B: 220 VAC, MD02-C to MD07-C: 24 VAC



HOW TO ORDER

Use the **bold** characters from the chart below to construct a product code.



*Only our most popular models are listed. For additional available models, please visit: <https://www.dwyer-inst.com/Product/Valves/Valves/Butterfly/Automated/SeriesWE20>

ACCESSORIES

Model	Description
AFR4	Air filter regulator, range 0 to 120 psi (0 to 800 kPa)
R2-2120	Regulator, 1/4" NPT, pressure range 120 psi

Important Notice: Dwyer Instruments, Inc. reserves the right to make changes to or discontinue any product or service identified in this publication without notice. Dwyer advises its customers to obtain the latest version of the relevant information to verify, before placing any orders, that the information being relied upon is current.



dwyer-inst.com

DWYER INSTRUMENTS, INC.

T: 219-879-8000 | F: 219-872-9057 | info@dwyermail.com
800-872-9141

DS-WE20 | 2/17

1.888.610.7664



www.calcort.com

sales@calcort.com