**Description & Features:**

- Reliable, small diameter, low profile gauge
- 1" (25mm) to 1.5" (40mm) sizes
- 1/8" NPT socket
- Direct drive (no linkages or hairsprings) eliminating premature failure from the gear and movement
- Safety over-pressure port on the lens
- "Use No Oil" for use in oxygen service
- ASME B40.100 compliant
- CRN registered
- UL listed for 1.25" and 1.5" gauges
- 5 year warranty

Applications:

- Commonly used on portable pneumatic equipment such as compressors, hand-held sprayers, pressurized recreational guns, oxygen tanks and regulators, pumps and fire extinguishers

1.25" (32mm) and 1.5" (40mm)

UL252A Recognized - Low pressures up to 1,000 psi, Listing No. MH25761

UL404 Listed - High pressures - 0 to 3,000 psi, Listing No. SA12053

Specifications

Specifications	
Dial	1" (25mm), 1.125" (30mm), 1.25" (32mm) or 1.5" (40mm) white aluminum with black markings
Case	1" (25mm): Nickel plated brass Others: 304 SS
Lens	Plexiglass
Spiral/Socket	60 to 2,000 psi: Brass 3,000 psi: Beryllium copper 4,000 psi and above: 304 SS
Connection	1/8" NPT standard, back
Pointer	3,000 psi and below: Brass 4,000 psi and above: 304 SS
Over-pressure Limit	10% of full scale value 25% of full scale value (0-3,000 psi, UL404 listed)
Working Pressure	Maximum 75% of full scale value
Ambient/Process Temperature	-40°F to 150°F (-40°C to 65°C)
Accuracy	±3-2-3% ANSI/ASME Grade B
Enclosure Rating	IP65

Order Codes*

Dial Size	1" (25mm)	1.125" (30mm)	1.25" (32mm)	1.5" (40mm)
0/60 psi	-	PSP115060	PSP125060	PSP150060
0/100 psi	PSP10100	PSP1150100	PSP1250100	PSP1500100
0/160 psi	PSP10160	PSP1150160	PSP1250160	PSP1500160
0/200 psi	PSP10200	PSP1150200	PSP1250200	PSP1500200
0/300 psi	PSP10300	PSP1150300	PSP1250300	PSP1500300
0/600 psi	PSP10600	PSP1150600	PSP1250600	PSP1500600
0/1,000 psi	PSP101000	PSP11501000	PSP12501000	PSP15001000
0/1,500 psi	PSP101500	PSP11501500	PSP12501500	PSP15001500
0/2,000 psi	PSP102000	PSP11502000	PSP12502000	PSP15002000
0/3,000 psi	PSP103000	PSP11503000	PSP12503000	PSP15003000
0/4,000 psi	PSP104000	PSP11504000	PSP12504000	PSP15004000
0/5,000 psi	PSP105000	PSP11505000	PSP12505000	PSP15005000

Other ranges and connection sizes available upon request. For scale change, refer to How to Order Guide for scale codes.

For options, attach suffix to end of order code: i.e. PSP15001500-1.5BOOT for 1.5" PROTECTIVE BOOT

Option suffix:

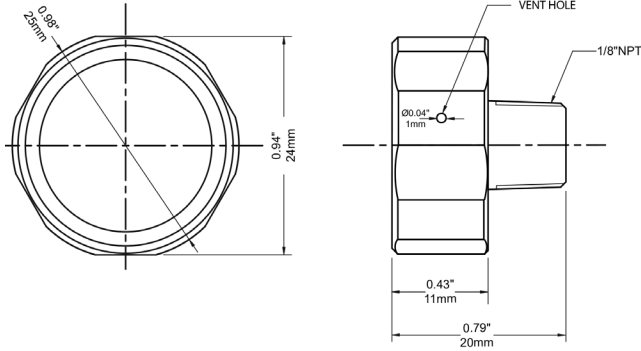
1.25BOOT = 1.25" (32mm) Protective rubber boot

1.5BOOT = 1.5" (40mm) Protective rubber boot

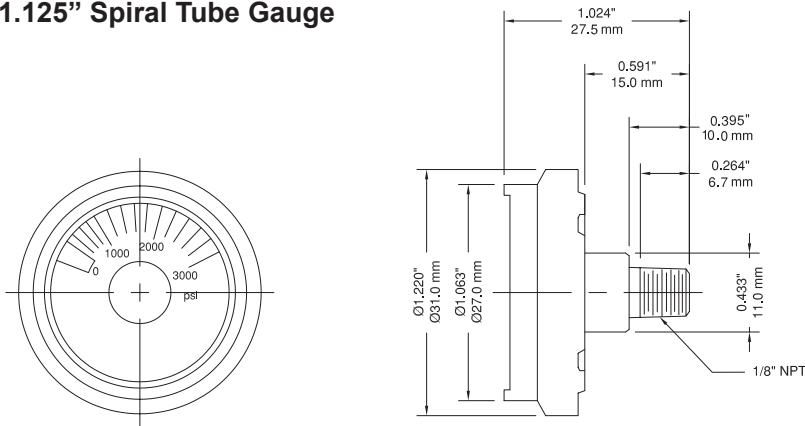
*Minimum order quantity required

WINTERS INSTRUMENTS

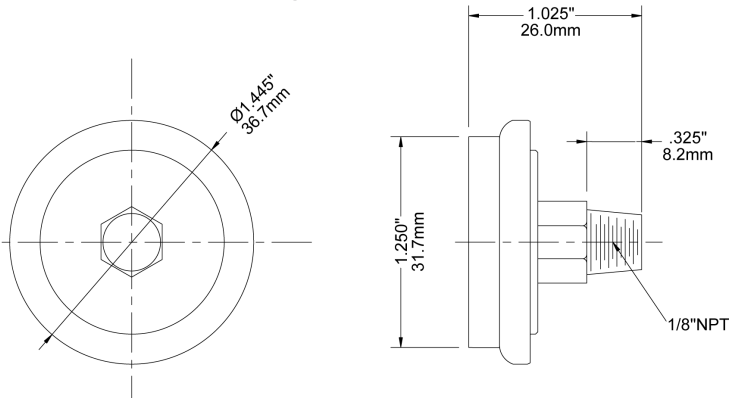
1" Spiral Hex Tube Gauge



1.125" Spiral Tube Gauge



1.25" Spiral Tube Gauge



1.5" Spiral Tube Gauge

