




### Description & Features:

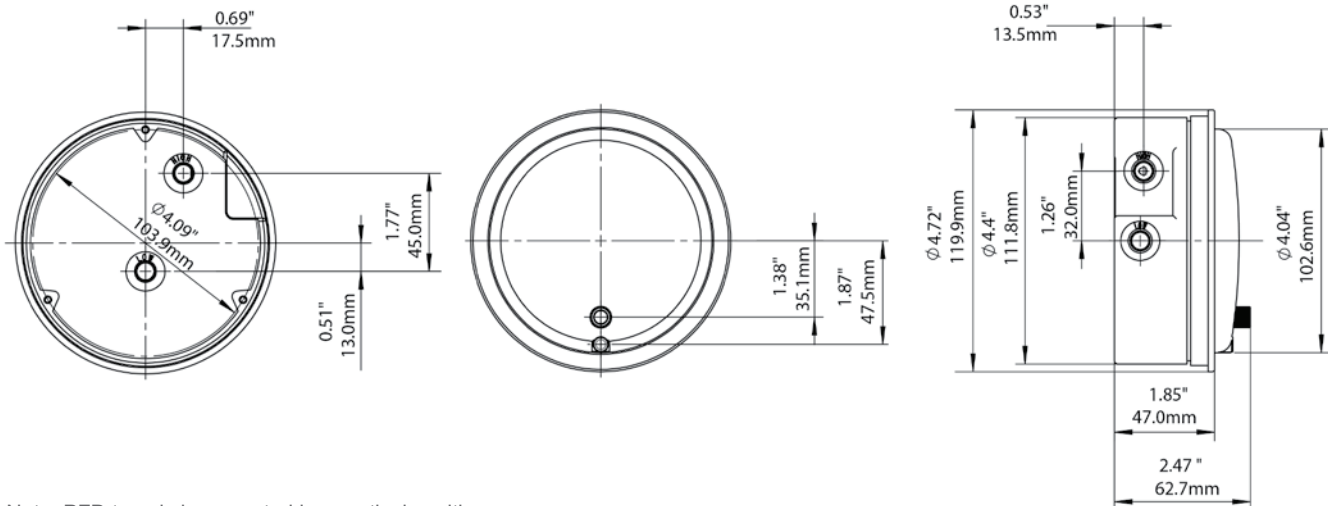
- Resistance-free differential gauge for all air and non-corrosive gas installations
- Industrial grade die-cast aluminum case
- Extreme temperature tolerance with o-ring seal
- Easily accessible re-zero adjustment screw
- 2% full scale accuracy\*
- 3 mounting adapters with screws included, other mounting accessories also available
- 5 year warranty

### Applications:

- Low pressure and differential monitoring for air and non-combustible gases including filters, blowers, vacuums, air handlers and clean rooms

### Specifications

<b>Dial</b>	4" (100mm), white aluminum with black markings
<b>Case</b>	Die-cast black aluminum
<b>Lens</b>	Polycarbonate
<b>Ring</b>	Threaded die-cast black aluminum
<b>Connection</b>	1/8" NPTF high & low pressure taps, side & back
<b>Movement</b>	Resistance-free and magnetic
<b>Pointer</b>	Aluminum, anodized black
<b>Over-pressure Limit</b>	Maximum pressure of 14.5 psi / 100 kPa
<b>Ambient/Process Temperature</b>	-40°F to 140°F (-40°C to 60°C) 14°F to 140°F (-10°C to 60°C)
<b>Accuracy</b>	±2% of full scale value*
<b>Enclosure Rating</b>	IP67
<b>Warning</b>	 <b>WARNING:</b> This product can expose you to chemicals including lead, which is known to the State of California to cause cancer and birth defects or other reproductive harm. For more information go to <a href="http://www.P65Warnings.ca.gov">www.P65Warnings.ca.gov</a> .



Note: PFD to only be mounted in a vertical position.

\* Unless otherwise noted.

WINTERS INSTRUMENTS

1.888.610.7664



www.calcert.com

sales@calcert.com

**“H2O Order Codes**  
(products in bold are normally stock in North America)

Dial Size	4" (100mm)
Connection	1/8" Side & Back
Case Material	Aluminum
-0.25/0/0.25 "H2O	<b>PFD40100</b> ▲
-0.5/0/0.5 "H2O	PFD40101
-1/0/1 "H2O	<b>PFD40102</b>
-2/0/2 "H2O	PFD40103
-5/0/5 "H2O	PFD40104
-10/0/10 "H2O	<b>PFD40105</b>
-15/0/15 "H2O	<b>PFD40106</b>
0/0.25 "H2O	<b>PFD40010</b> ▲
0/0.5 "H2O	<b>PFD40011</b> ▲
0/1 "H2O	<b>PFD40012</b>
0/2 "H2O	<b>PFD40013</b>
0/3 "H2O	<b>PFD40014</b>
0/4 "H2O	PFD40015
0/5 "H2O	<b>PFD40016</b>
0/6 "H2O	PFD40017
0/8 "H2O	PFD40018
0/10 "H2O	<b>PFD40019</b>
0/12 "H2O	PFD40020
0/15 "H2O	<b>PFD40021</b>
0/20 "H2O	<b>PFD40022</b>
0/25 "H2O	<b>PFD40023</b>
0/30 "H2O	<b>PFD40024</b>
0/40 "H2O	<b>PFD40025</b>
0/50 "H2O	<b>PFD40026</b>
0/60 "H2O	PFD40027
0/80 "H2O	PFD40028
0/100 "H2O	<b>PFD40029</b>
0/120 "H2O	PFD40030
0/150 "H2O	<b>PFD40031</b>

**mmH2O Order Codes**

Dial Size	4" (100mm)
Connection	1/8" Side & Back
Case Material	Aluminum
-3/0/3 mmH2O	PFD40350▲
-5/0/5 mmH2O	<b>PFD40351</b> ▲
-10/0/10 mmH2O	PFD40352
0/6 mmH2O	<b>PFD40300</b> ▲
0/10 mmH2O	<b>PFD40301</b> ▲
0/15 mmH2O	PFD40302
0/20 mmH2O	PFD40303
0/25 mmH2O	PFD40304
0/30 mmH2O	PFD40305
0/50 mmH2O	PFD40306
0/80 mmH2O	PFD40307
0/100 mmH2O	PFD40308
0/125 mmH2O	PFD40309
0/150 mmH2O	PFD40310
0/200 mmH2O	PFD40311
0/250 mmH2O	PFD40312
0/300 mmH2O	PFD40313

**kPa Order Codes**

Dial Size	4" (100mm)
Connection	1/8" Side & Back
Case Material	Aluminum
0/0.5 kPa	PFD40500
0/1 kPa	PFD40501
0/1.5 kPa	PFD40502
0/2 kPa	PFD40503
0/2.5 kPa	PFD40504
0/3 kPa	PFD40505
0/4 kPa	PFD40506
0/5 kPa	PFD40507
0/6 kPa	PFD40508
0/8 kPa	PFD40509
0/10 kPa	PFD40510
0/15 kPa	PFD40511
0/20 kPa	PFD40512
0/25 kPa	PFD40513
0/30 kPa	PFD40514

**PSI Order Codes**  
(products in bold are normally stock in North America)

Dial Size	4" (100mm)
Connection	1/8" Side & Back
Case Material	Aluminum
0/1 psi	<b>PFD40150</b>
0/2 psi	<b>PFD40151</b>
0/3 psi	<b>PFD40152</b>
0/4 psi	<b>PFD40153</b>
0/5 psi	<b>PFD40154</b>

**PA Order Codes**  
(products in bold are normally stock in North America)

Dial Size	4" (100mm)
Connection	1/8" Side & Back
Case Material	Aluminum
-50/0/50 PA	PFD40200▲
-60/0/60 PA	PFD40201▲
-100/0/100 PA	<b>PFD40202</b> ▲
-125/0/125 PA	<b>PFD40403</b> ▲
-150/0/150 PA	PFD40404
-200/0/200 PA	PFD40405
-250/0/250 PA	PFD40406
-300/0/300 PA	PFD40407
-500/0/500 PA	PFD40408
0/50 PA	<b>PFD40210</b>
0/60 PA	PFD40211
0/100 PA	<b>PFD40212</b>
0/125 PA	PFD40213
0/150 PA	PFD40214
0/200 PA	PFD40215
0/250 PA	<b>PFD40216</b>
0/300 PA	PFD40217
0/500 PA	PFD40218
0/750 PA	PFD40219
0/1,000 PA	PFD40220



RSP - Setpoint indicator

Note: Max. pressure rating is 14.5 psi

Other ranges and connection sizes available upon request. For scale change, refer to How to Order Guide for scale codes.

**For options, attach suffix to end of order code: i.e. PFD40031-RSP for SETPOINT INDICATOR. Contact Winters for additional options**

**Option suffix:**

RSP = Setpoint indicator (IP54 rated)

- ▲ ±3% of full scale value accuracy
- ▲ ±4% of full scale value accuracy

**Options Order Codes**

Description	Code
Hanging Bracket	PFD1001
Surface Mounting Bracket	PFD1002
3-Way Valve	PFD1003
Flush Mounting Bracket	PFD1004
Air Filter Kit	PFD1005
2" Pipe Mounting Kit	PFD1006
Flange for Panel Mounting	PFD1007
Square Flush Mount Kit	PFD1008