



**Mini Meters**  
OEM Module

**Installation and User's Manual**

**WEB VERSION**

## TABLE OF CONTENTS

<b>1</b>	<b>Product Description</b> .....	1
1.1	General Description .....	1
1.2	Mini Meter Features .....	1
1.3	Standards and Certifications .....	1
<b>2</b>	<b>Technical Specifications</b> .....	1
2.1	Mini Meter Part Number Keys .....	1
2.2	Electrical Specification .....	2
<b>3</b>	<b>Installation Instructions</b> .....	3
3.1	Explanation of Warning Symbols .....	3
3.2	Safety Precautions .....	3
3.3	Preparation .....	4
3.4	List of Materials .....	5
3.5	Mounting Location .....	5
3.6	Physical Dimensions .....	5
3.7	CT Variations .....	6
3.8	Electrical Connections .....	7
3.8.1	Overview of Electrical Connections .....	7
3.8.2	Installation of Voltage Input Wires .....	8
3.8.3	Installation of Current Transformers .....	9, 10
3.9	Output Connections .....	11
3.10	Testing the Installation .....	12
<b>4</b>	<b>General Metering Features and Functionality</b> .....	12
4.1	Mini Meter Display .....	12, 13
4.1.1	Calculation of Maximum Demand .....	14
4.1.2	Using the Display to Determine Meter Status .....	14, 15
4.2	Load LED .....	16
<b>5</b>	<b>Maintenance</b> .....	16
<b>6</b>	<b>Troubleshooting/FAQ</b> .....	17, 18
<b>7</b>	<b>Warranty</b> .....	59

WEB VERSION

## 1 PRODUCT DESCRIPTION

### 1.1 General Description

The Mini Meter OEM Module is a self-powered, current transformer (CT) rated electronic kilowatt-hour (kWh) meter designed for permanent connection to an electrical service.

Mini Meters come in single element (2-wire) and dual element (3-wire) configurations.

### 1.2 Mini Meter Features

- 0.5% Revenue-grade accuracy with solid-core CTs
- Optional easy to install split core CTs
- Built in LCD or external mechanical counter
- Multiple load monitoring with a single meter
- AMR compatible isolated pulse outputs
- Reverse-phase indicator for meter installation error detection
- 5-year warranty

### 1.3 Standards and Certifications

#### Safety:

- cRUus - Recognized Component
- UL 916 4th Edt. - Energy Management Equipment
- CAN/CSA C22.2 No. 61010-1 3rd Edt. - Safety for Electrical Measure, Control and Laboratory Use.
- UL E#: E124377
- UL Category, FTRZ - Energy Usage Monitoring Equip.
- CB Scheme IEC 61010-1:2010, 3rd Edt.

#### EMC Emissions:

- FCC Part 15, Class B
- EN/IEC 61326-1 Edt. 2:2013
- EN/IEC 55011:2009+A1:2010 / CISPR 22:2010, Class B
- EN/IEC 61000-3-2:2006+A2:2009, Class A - Harmonics
- EN/IEC 61000-3-3:2008, Class A - Flicker

#### Other:

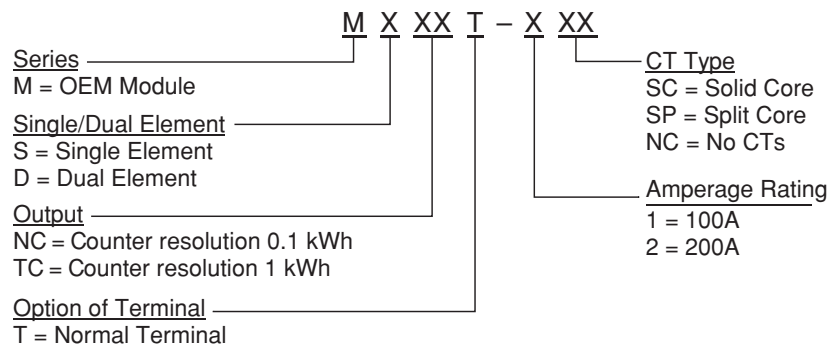
- Conforms to accuracy requirements set forth in ANSI C12.20

#### EMC Immunity:

- EN/IEC 61326-1 Edt. 2:2013
- EN/IEC 61000-4-2:2008, 8/15kV, Contact/Air - ESD
- EN/IEC 61000-4-3: 2006+A2:2010 - RF Immunity
- EN/IEC 61000-4-4: 2004+A1:2010 - Transient Burst
- EN/IEC 61000-4-5: 2005, 2/4kV, LtoL, LtoG - Surge
- EN/IEC 61000-4-6: 2008, 3V/m rms - RF Cond. Immunity
- EN/IEC 61000-4-8: 2009, 30A/m - Magnetic Immunity
- EN/IEC 61000-4-11: 2004 - Voltage Dips & Interruptions

## 2 TECHNICAL SPECIFICATIONS

### 2.1 Mini Meter Part Number Keys



## 2 TECHNICAL SPECIFICATIONS

	60 Hz	50 Hz
Input Configurations Note: <i>Neutral must be connected for all configurations</i>	1PH2W 120 VAC 1PH3W 120/240 VAC (Split-Phase) 2PH3W 120/208 VAC	1PH2W 240 VAC
Supply Voltage Range <sup>1</sup> (Line to Neutral)	108 – 132 VAC	216 – 264 VAC
Maximum Input Power	5 VA Max.	16 VA Max
Line Frequency	60 Hz	50 Hz
Maximum Rated Current (100A/ 200A meters)	Primary: Max Rated Current +10% Secondary: 110mA (0.11A)	
Power Factor Range	0.5 lagging to 1.0 0.866 leading to 1.0	
Accuracy <sup>2</sup> (from -20°C to 50°C)	Meets ANSI C12.20 (class 0.5%) with calibrated Solid Core CT's	
Meter Operating and Storage Temperature	-30 to 70 °C	
Isolated Outputs <sup>3</sup>	10Wh/pulse, 100Wh/pulse, 1kWh/pulse, reference to isolated common (ISOL COM) terminal, open collector outputs.	
Mechanical Counter Output <sup>3</sup>	12 VDC mechanical counter, 10 mA Max (not isolated, for pre-wiring only).	
12 VDC Output	12 VDC @ 10 mA Max (not isolated, for pre-wiring only).	
Terminal Connections for Mini Meter OEM Module	The rated torque for these terminal blocks is 3.5 lb-in of torque maximum, solid or stranded 14 to 18 AWG copper wire must be used.	
Fixed	18 AWG Pre-Wired Voltage Leads and fixed screw terminals for CT's and Pulse Outputs	

**Table 1: Mini Meter Electrical Specifications**

- <sup>1</sup> Rated for installation in Pollution Degree 2 controlled environment : Normally only non-conductive pollution occurs. Occasionally, however, a temporary conductivity caused by condensation must be expected.
- <sup>1b</sup> Main power shall not have fluctuations of more than +/- 10%.
- <sup>2</sup> Accuracy based on Leviton solid-core current transformers with 100 mA max output. Meter input burden resistance at 3 Ohms.
- <sup>3</sup> The +12 VDC and counter output will source 12 VDC, 50mA, 0.6W maximum before shutting down for consideration of risk of fire to connected devices.

### 3 INSTALLATION INSTRUCTIONS

The following section contains wiring instructions for the mini meter OEM module. The mini meter module must be installed in an appropriate UL listed enclosure.

The mini meter must be installed by a licensed electrician.

If technical assistance is required at any point during the installation, contact information can be found at the end of this manual. Leviton is not responsible for damage to the meter caused by incorrect wiring.

#### 3.1 Explanation of Warning Symbols



Indicates the need to consult the operation manual due to the presence of a potential risk. Follow safe electrical work practices. See NFPA 70E in the USA, or applicable local codes.



Indicates the presence of electric shock hazards. Prior to proceeding, de-energize the circuit and consult the operation manual.

#### 3.2 Safety Precautions



#### WARNING



- **WARNING: TO AVOID FIRE, SHOCK OR DEATH;** turn off all power supplying the equipment before performing any wiring operations. Use a properly rated voltage sensing device to confirm that power is off.
- Failure to follow these warnings could result in serious injury or death.
- Installation of electric meters requires working with possibly hazardous voltages. These instructions are meant to be a supplement to aid trained, qualified professionals.
- Installations should be done in accordance with local codes and current National Electric Code requirements.
- Equipment used in a manner not specified by this document impairs the protection provided by the equipment.

A qualified person is one who has skills and knowledge related to the construction and operation of this electrical equipment and the installation, and has received safety training to recognize and avoid the hazards involved. No responsibility is assumed by Leviton for any consequences arising out of the use of this material.

WEB VERSION

## 3 INSTALLATION INSTRUCTIONS

### 3.3 Preparation

- Verify the model number and electrical specifications of the device being installed to confirm they are appropriate for the intended electrical service (see Section 2).
- Consult local codes for any possible permits or inspections required before beginning electrical work.
- Make sure all tools to be used during installation have proper insulation ratings.
- This Mini Meter is only for use in complete equipment or associated equipment applications where the combination is in accordance with the following Conditions of Acceptability as determined by Underwriters Laboratories.
- The Mini Meter shall be installed in an UL LISTED enclosure.
- The Mini Meter is suited for applications an overload Category III and only installed on the load side of branch-circuit protection.
- The counter pins 1 and 2 and +12VDC are not isolated from the mains voltage sensing circuits and are considered hazardous live voltage. These circuits shall not be user accessible after final installation in UL LISTED enclosure.
- The Isolated Outputs, as noted on the label, are isolated from the power mains and are derived from low voltage circuits. These Isolated Outputs and CT circuits shall maintain a 3mm clearance/creepage and 3000Vac dielectric strength. Suitability of this isolation must be verified if these output circuits are accessible in the end use application.
- Only CT's as specified in this manual and UL 2808 LISTED - Energy-monitoring Current Transformer (XOBA/7) with a 0.1 amp rated secondary shall be used with this Mini Meter.
- Intended for use with a 15 A Branch Circuit Overcurrent Protection device.
- Class 1 wiring methods shall be used for the voltage input/measurement circuits, current sensing CT secondary circuit, +12Vdc, and counter connections.
- The isolated outputs may use Class 2 wiring methods if supplied by a separate Class 2 source and the wiring is routed minimum 6mm (1/4 in.) from all other wiring connected to the device and in the end use enclosure. If not so segregated, Class 1 wiring methods shall be used.
- CT shall not be installed in equipment where they exceed 75 percent of the wiring space of any cross-sectional area within the equipment.
- The current transformers shall not be installed where they can block any ventilation openings within the main panel.
- Secure CT and route the wires so that they do not directly contact live terminals, uninsulated bus of low voltage, mains circuits or conductors of other circuits.
- Associated leads of the CT and the Mini Meter shall be installed within the same overall enclosure.
- The end-use equipment shall be marked with the following the word "Warning - To reduce risk of electric shock, always open or disconnect the monitored circuit from power-distribution system (or service) of building before installing or servicing current-sensing transformers."
- When any critical markings are provided in the meter instructions instead of in the end product documentation, the end product documentation shall include a reference to the meter instructions.
- The isolated outputs shall be supplied by a SELV or other low voltage supply providing double or reinforced insulation unless the isolated outputs do not extend outside the overall enclosure and do not connect to user accessible circuits.
- This Mini Meter unit is not intended for use as a retrofit application within panelboards and switchgear. Additional evaluation for use inside the panelboard or switchgear is required.
- Pollution Degree 2: Normally only non-conductive pollution occurs. Occasionally, however, a temporary conductivity caused by condensation must be expected.

### 3 INSTALLATION INSTRUCTIONS

#### 3.4 List of Materials

- Line 1, Line 2, and Neutral hook-up wires provided.
- Field wire requirements: 14 to 18 AWG min., 300 V min. insulated. Temperature rating should be consistent with the operating environment.

#### 3.5 Mounting Location

Mini Meters require a switch or circuit breaker as part of the building installation.

- The switch or circuit breaker must be marked as the disconnecting device for the meter.
- The meter should be mounted near the disconnecting device, in an area with adequate ventilation and not in direct sun to prevent overheating of the meter. The meter and CT's should be kept away from transformers and radio equipment.
- The meter enclosure should not be positioned in a manner that makes it difficult to operate the disconnecting device.
- Ensure that the CT and voltage lead lengths (and conduit lengths) are capable of reaching the enclosure from the breaker panel.
- If a suitable mounting location near the panel cannot be found, additional in-line fuses or circuit breaker may be required in accordance with NEC or local regulations.

#### 3.6 Physical Dimensions

Figure 1 shows the dimensions of a single Mini Meter OEM Module case and cover.

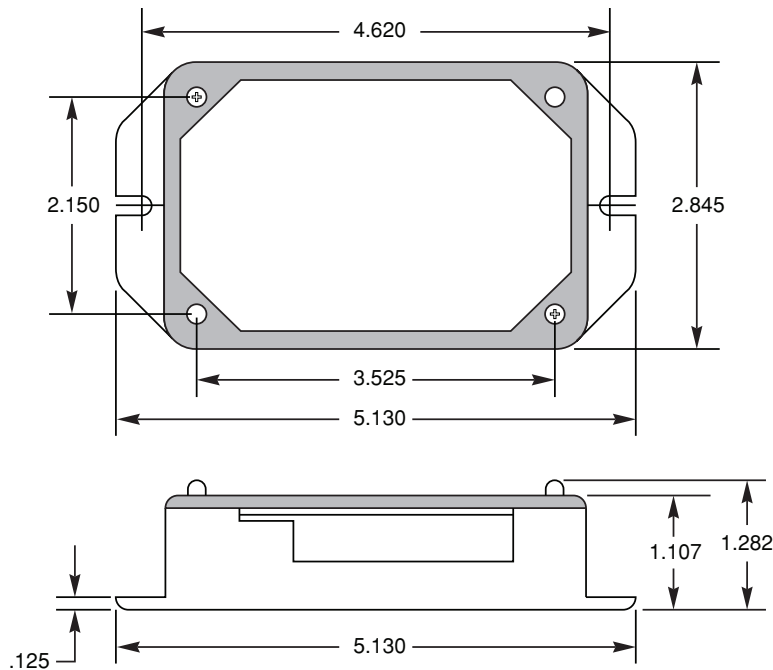


Figure 1 - Mini Meter Dimensions, in inches

### 3 INSTALLATION INSTRUCTIONS

#### 3.7 CT Variations

- Leviton solid core CTs (Figure 2, left photo): In accordance with CT label, the LINE side of CT must face incoming Line. White lead connects to the appropriate X2 terminal. Black or colored lead connects to the appropriate X1 terminal. CTs are color coded (black/white and red/white or black/black and black/gray) to help maintain correct phasing.



Figure 2 - Leviton Solid Core and Split Core CTs

- Leviton split core CTs (Figure 2, right photo): The side with the white labels (facing up in the photo) must face the incoming LINE. White wire connects to X2 terminal, colored wire connects to X1 terminal.

WEB VERSION



### 3 INSTALLATION INSTRUCTIONS

#### 3.8 Electrical Connections

##### 3.8.1 Overview of Electrical Connections

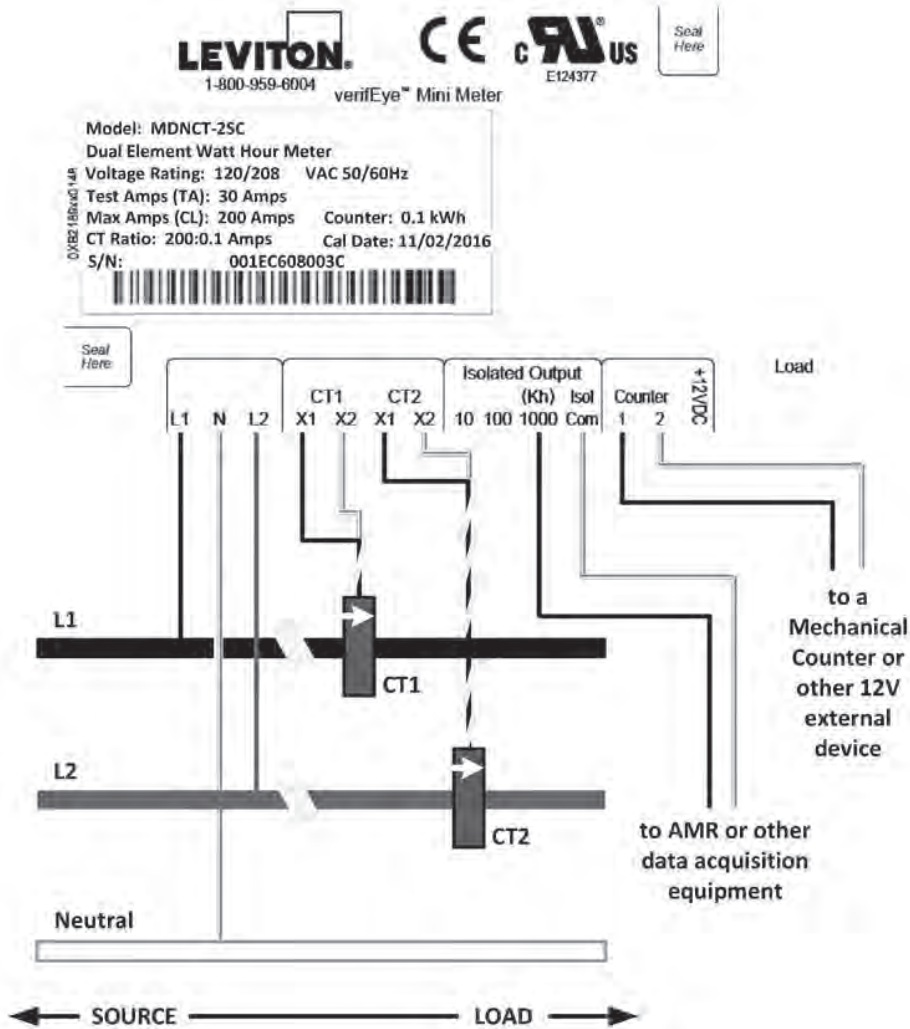


Figure 3 - Mini Meter Connections

WEB VERSION

### 3 INSTALLATION INSTRUCTIONS

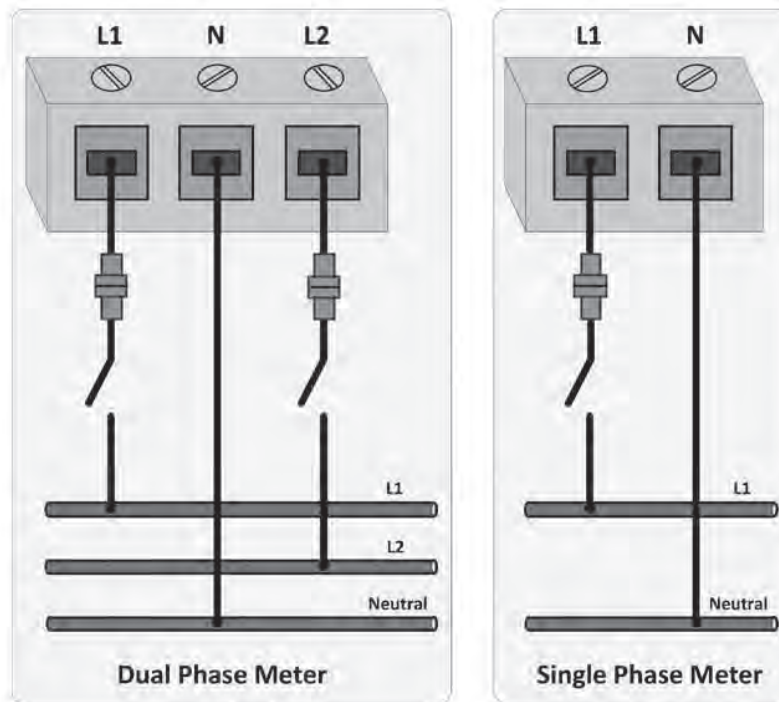
#### 3.8.2 Installation of Voltage Input Wires



1. Depending on the branch circuit, in-line fuses may be required by local electrical codes.
2. Connect wiring for Line voltages and Neutral to the appropriate locations in the breaker panel in accordance with all national and local electrical codes; see Figure 4 for wiring diagram. Table 2 lists the voltage inputs.
3. The power source of the meter must be the same as the power source of the load that the meter is measuring.
4. Trim the wire to the appropriate length to avoid coils of excess wiring.
5. Strip wiring to 0.3 inch if needed and connect to the appropriate terminals.

Voltage Inputs	Description
L1	Voltage Input, Line 1 Black Wire (Required)
L2	Voltage Input, Line 2 Red Wire
N	Neutral input, White Wire (Required)

Table 2 - Voltage Connections



Note: In-line fuses recommended  
Figure 4 - Voltage Wiring Diagram

### 3 INSTALLATION INSTRUCTIONS

#### 3.8.3 Installation of Current Transformers

##### General Requirements:

- If CT secondary wires are routed through conduit, splices on the CT leads must be within the meter enclosure, not inside the conduit. Leviton-provided CT lead wires are 48 inches long, 18 AWG.
- It is acceptable to route voltage input wires and CT secondary wires through the same conduit as long as all the wiring in the conduit meets National Electric Code requirements (at least 18 AWG). CTs should be securely fastened such that they will not slide down to live terminals.
- Current and voltage inputs must be installed 'in phase' for correct readings. As shown in Figure 6, CT1 needs to monitor the same phase as the voltage connected to the meter on L1 and CT2 needs to monitor the same phase as the voltage connected to the meter on L2. The CTs must be connected between line and load, not on the voltage wires that lead to the meter.
- Be sure to install the CTs with the correct orientation (direction). If the meter displays a Reverse Energy error after installation (see Table 7), it is likely that you have either installed a CT backwards or have reversed the X1 and X2 terminal connections.



1. Strip wiring to 0.3 inch.
2. Trim the wire to the appropriate length to avoid coils of excess wiring.
3. Connect the CT leads to the appropriate terminals; see wiring diagrams (Figure 6) for correct CT orientations and connections. A list of the CT connections is given in Table 3.
4. For Split Core CTs:
  - a. Remove the thumb screws at the bottom side of the CT as shown in Figure 5 (left) and pull away one side of the CT to open it as shown in Figure 5 (right).
  - b. With power to the conductors turned off, place the CT around the appropriate conductor while ensuring that the white labels (the side facing up in the figure) faces Line (source).
  - c. Note the white mark on the removed section of the CT and make sure to align it with the white mark on the CT case. (The white mark is visible at the lower corner of the CT in Figure 5.) Close the CT by sliding the removed section back into place and replacing the thumb screws. For accuracy, it is very important to be sure the white marks are aligned and the CT is completely closed with the screws installed.
  - d. Connect the CT wires to the meter inputs as described in Table 3.
  - e. Repeat for remaining conductor for two phase applications, as shown in Figure 6.



**Figure 5 - Split Core CT, Closed (left) and Open (right)**

5. For Solid Core CTs: With power turned off, disconnect each monitored conductor one at a time and slide on appropriate CT, ensuring the CT is correctly oriented as shown in Figure 6. Reconnect the conductors. Connect the CT wires to the meter inputs as described in Table 3.

### 3 INSTALLATION INSTRUCTIONS

#### 3.8.3 Installation of Current Transformers

CT Inputs	
CT1 : X1	Current Transformer 1, input X1. Colored wire of CT1
CT1 : X2	Current Transformer 1, input X2. White wire of CT1
CT2 : X1	Current Transformer 2, input X1. Colored wire of CT2
CT2 : X2	Current Transformer 2, input X2. White wire of CT2

Table 3 - Current Transformer Connections

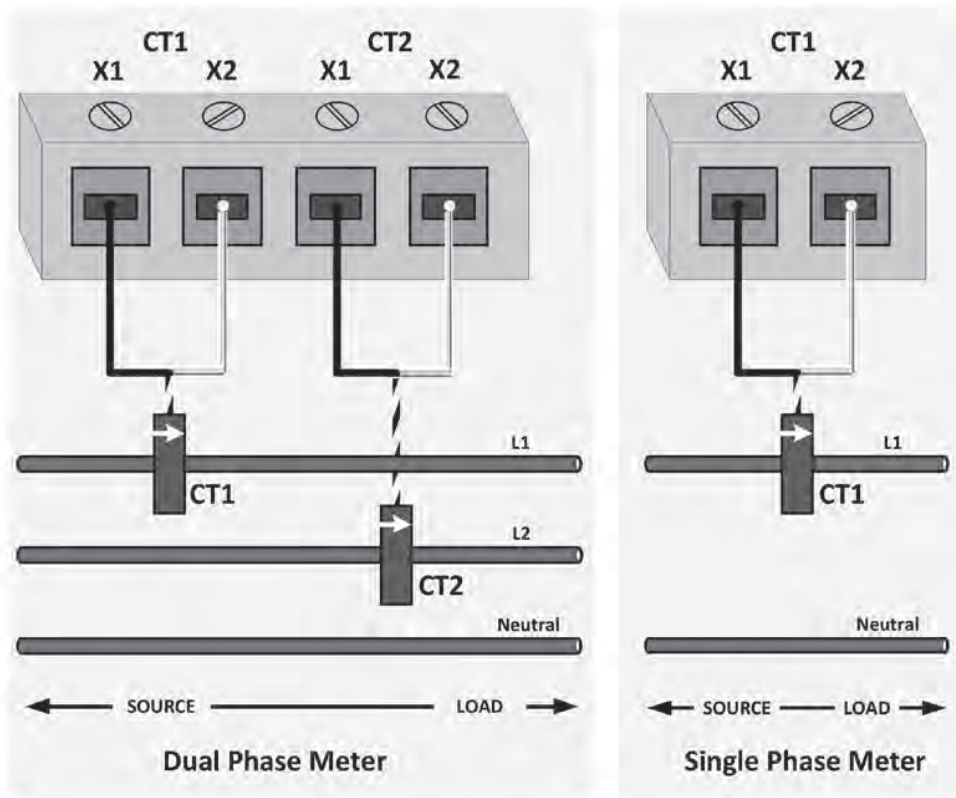


Figure 6 - CT Wiring Diagram

WEB VERSION

### 3 INSTALLATION INSTRUCTIONS

#### 3.9 Output Connections

The meter's pulse and counter outputs report total real energy consumed. For dual-element meters, this is a combined total for Line 1 and Line 2. The 10 Wh isolated output is typically used for meter verification and calibration. The 100 Wh and 1000 Wh isolated outputs are intended for automatic meter reading (AMR) systems. There are two terminals for mechanical counter connection. There is no polarity associated with the terminals.  $V_{CE}$

Output connections are listed in Table 4.

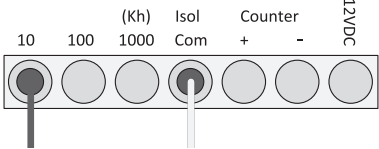
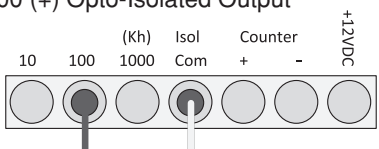
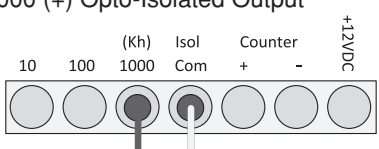
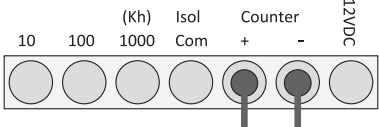
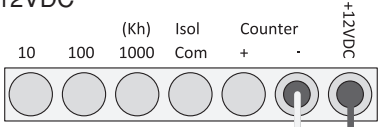
<p><b>10 (+) Opto-Isolated Output</b></p> 	<p>Total Real Energy (kWh) consumption (energy delivered) pulse output, plus (+) connection (connect to signal input). 10Wh pulse rate (5 watt hours on, 5 watt hours off). <math>V_{CE} = 40VDC</math>; ICE 50mA max.</p>
<p><b>100 (+) Opto-Isolated Output</b></p> 	<p>Total Real Energy (kWh) consumption (energy delivered) pulse output, plus (+) connection (connect to signal input). 100Wh pulse rate (50 watt hours on, 50 watt hours off). <math>V_{CE} = 40VDC</math>; ICE 50mA max.</p>
<p><b>1000 (+) Opto-Isolated Output</b></p> 	<p>Total Real Energy (kWh) consumption (energy delivered) pulse output, plus (+) connection (connect to signal input). 1kWh pulse rate (500 watt hours on, 500 watt hours off). <math>V_{CE} = 40VDC</math>; ICE 50mA max.</p>
<p><b>ISOL COM (-)</b></p>	<p>Common (-) connection for 10Wh, 100Wh and 1000Wh Isolated Pulse Outputs. See connection in diagrams above.</p>
<p><b>COUNTER (+ and -)</b>                      1 count = 100 Wh for 0.1kWh models                      1 count = 1000 Wh for 1kWh models</p> 	<p>For 12 VDC electro-mechanical counter (not isolated). There is no polarity associated with the two wires of the counter - either wire can be connected to the + (pulse) output.</p>
<p><b>+12VDC</b></p> 	<p>12 VDC @ 10mA output (not isolated) for specialized applications such as a line powered transmitter. Use with COUNTER (-).</p>

Table 4 - Isolated Pulse Output Connections

WEB VERSION

### 3 INSTALLATION INSTRUCTIONS

#### 3.10 Testing the Installation

##### Verify Voltage:

Characters are always displayed on the LCD when the meter has proper power on L1 and neutral (See Section 4.1 for a description of LCD screens).

##### Verify Energy:

Before checking energy direction, make sure there is a load drawing a minimum of 1A connected to the meter.

The LCD has an energy-flow indicator in the lower left section of the display. The energy-flow indicator points to the right when the meter measures positive energy (normal) and points left when the meter measures negative energy.

If the arrow is not shown, points to the left or is shown with no pointer in either direction, there is an installation problem. Refer to Section 6 for troubleshooting instructions.

##### Verify Load:

The load LED has a 10Wh pulse rate (5 watt hours on, 5 watt hours off). The duty cycle should be 50% when the meter is connected properly and a constant load is applied. Figure 7 shows the appearance of the LCD when the meter is installed properly.



Figure 7 - LCD Appearance in Proper Operation (Example)

### 4 GENERAL METERING FEATURES AND FUNCTIONALITY

#### 4.1 Mini Meter Display

Mini meter LCD is shown below.

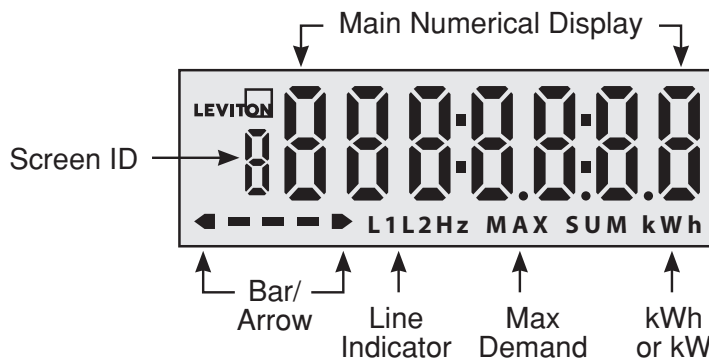


Table 5 shows the LCD screens in sequence at power up and during normal operation. The startup screens are displayed only once at power up. From then on, the meter repeatedly cycles through the runtime screens as described in Table 6. For dual-element meters, energy, demand and power are shown on the runtime screens as combined values for Line 1 and Line 2.

WEB VERSION

## 4 GENERAL METERING FEATURES AND FUNCTIONALITY

Startup Screens	
Screen ID	Description
d	Manufacture date code: six digits in the format YYMMDD.
E	Single/dual element option: display shows "1 ELt" for single-element option or "2 ELt" for dual-element option.
o	Mechanical counter output resolution option: display shows "cnt 0.1" for 0.1 kWh option or "cnt 1.0" for 1 kWh option.
C	CT amperage rating: display shows "100:0.1" for 100A CT or "200:0.1" for 200A CT.
S	Serial number, first part: display shows the first six digits of the meter's serial number.
n	Serial number, second part: display shows the last six digits of the meter's serial number.
r	Software revision code: three digits in the format N.nn, where N is the major revision and nn is the minor revision.
8	Test display: all LCD segments are turned on for verification.
Runtime Screens	
Screen ID	Description
1	Real energy delivered (kWh). For kWh totals less than 100,000 the display shows two decimal places (e.g., 123456.78). Between 100,000 and 999,999 kWh, the display shows one decimal place (e.g., 987654.3). At 1,000,000 kWh, the display rolls over and begins counting again at 0.00 kWh.
2	Maximum demand (kW). See Section 0 for details.
3	Instantaneous power (kW). This screen is displayed only for the first 24 hours after power up and while the meter is in an error condition to assist in verifying correct meter installation.
4	Error code. This screen is displayed only when an error condition exists (see Table 7).

**Table 5 - LCD Screens and Sequences**

Meter Status	Runtime Screen Display Cycle
NORMAL, first 24 hours after power up	1, 2, 3, repeat
NORMAL, after first 24 hours	1, 2, repeat
ERROR, anytime	1, 4, 2, 4, 3, 4, repeat

**Table 6 - LCD Runtime Screen Display Cycle**

WEB VERSION

## 4 GENERAL METERING FEATURES AND FUNCTIONALITY

### 4.1.1 Calculation of Maximum Demand

Maximum demand (kW) reports maximum consumed power for a 24-hour period and is calculated using a 15-minute “sliding window” interval divided into three 5-minute sub-intervals, as follows:

- For dual-element meters, power measurements are combined values for Line 1 and Line 2.
- Power measurements are summed over the 5-minute sub-interval and averaged at the end of the sub-interval.
- At the end of each sub-interval, demand for the three most recent sub-intervals is averaged to give a new interval demand value.
- Over each 24-hour period the largest interval demand value for the period is saved.
- During the first 24 hours after the meter is powered up, the maximum demand display shows the largest interval demand value calculated since startup.
- After the first 24 hours of operation, reported maximum demand is updated only once every 24 hours and shows the largest interval demand for the previous 24-hour period.

Note that 24-hour maximum demand periods are based on the meter’s runtime since power up, not a real time clock.

### 4.1.2 Using the Display to Determine Meter Status

Table 7 explains how errors are indicated on the LCD. The table lists error conditions in order of priority (highest priority first). If more than one error condition exists, the LCD error screen shows only the highest-priority error.

For installation errors, if the same error condition exists on both lines the LCD error screen reports the error only for line 1, but both L1 and L2 symbols blink.

WEB VERSION



#### 4 GENERAL METERING FEATURES AND FUNCTIONALITY

Error Category	Meter Status	LCD Error Message	Bar/Arrow	L1/L2 Symbols	Determination of Error Condition
None	NORMAL	None	Animated arrow pointing right	Both off	No error or warning conditions.
Warning	Low Current	None	Bar and arrow indicators turned off	Blinking (one or both)	Power greater than or equal to -15W but less than +15W.
Installation	Reverse Energy	Err rC1 or Err rC2	Arrow pointing left (no blink)	Blinking (one or both)	Power less than -15W.
Installation	Bad Power Factor	Err PF1 or Err PF2	Solid bar (no blink), no arrow either side	Blinking (one or both)	Checked only when current is greater than starting current level. Error when phase angle is greater than 80° and less than 90°.
Installation	Low Voltage	Err LU1 or Err LU2	Solid bar (no blink), no arrow either side	Blinking (one or both)	Voltage below 102V.
Installation	Over Voltage	Err HU1 or Err HU2	Solid bar (no blink), no arrow either side	Blinking (one or both)	Voltage above 138V.
Installation	Over Current	Err HC1 or Err HC2	Solid bar (no blink), no arrow either side	Blinking (one or both)	Current above 110A if configured for 100A CT or 220A if configured for 200A CT.
Failure	Factory Service Required	FAIL 01 FAIL 02 ... FAIL 05	Blinking bar, no arrow either side	Both off	Operational error detected.

**Table 7 - LCD Indications**

While in a failure condition, in addition to displaying a "FAIL" code on the error screen the screen ID (leftmost digit) on every screen blinks, alternating between the screen ID and the character "F".

For a single-element meter, no errors are reported on line 2.

If the meter reports an installation error, refer to Section 6 for troubleshooting. If the meter reports a failure condition, contact Leviton technical assistance.

WEB VERSION

## 4 GENERAL METERING FEATURES AND FUNCTIONALITY



CT Amperage startup screen,  
no error conditions



Screen 1: Real Energy,  
no error conditions



Error screen showing a failure code,  
factory service required



Error screen showing a reverse current  
installation error on Line 1



Error screen showing a power factor  
installation error on Line 2



Error screen showing a low voltage  
installation error on Lines 1 and 2

Figure 9 - Example LCD Screens

### 4.2 Load LED

The Load LED has a 10Wh pulse rate (5 watt hours on, 5 watt hours off) reporting energy consumed. For dual-element meters, this is a combined value for Line 1 and Line 2.


## 5 MAINTENANCE

Properly installed meters with proper connections should not require user maintenance. If the meter is not functioning properly, please refer to the Troubleshooting guide in Section 6. If the answer cannot be found there, contact Leviton technical support.

WEB VERSION

## 6 TROUBLESHOOTING/FAQ

If the meter is not operating properly, please check the following items first:

Does the meter have power?	
How to determine:	If the display is completely blank, the meter is not powered.
What to do:	 <ul style="list-style-type: none"><li>• Check to make sure all connections are wired as described in Section 3.8.</li><li>• Test the voltage being supplied to the meter using an AC voltmeter.</li><li>• With power off, replace any line fuses with known good fuses and test with an ohmmeter</li></ul>

Is there an error condition?	
How to determine:	Refer to Table 7.
What to do:	Use Table 7 to identify the error; then solve the problem using the troubleshooting suggestions in Table 8.

Now search for a solution in the troubleshooting guide (Table 8 - next page).

WEB VERSION

## 6 TROUBLESHOOTING/FAQ






Problem	What to Do
The meter reports a Reverse Energy or Bad Power Factor installation error	 <ul style="list-style-type: none"> <li>• Verify the CT orientation and wiring (see Section 3.8.3).</li> <li>• Check to make sure each CT is installed on the correct phase. Refer to the CT wiring diagram (Figure 6). <ul style="list-style-type: none"> <li>- The CT connected to the CT1 X1/X2 terminals needs to monitor the same phase as the voltage connected to the meter on L1.</li> <li>- The CT connected to the CT2 X1/X2 terminals needs to monitor the same phase as the voltage connected to the meter on L2.</li> </ul> </li> </ul>
The meter reports a Low Voltage or Over Voltage installation error	 <ul style="list-style-type: none"> <li>• Check to make sure all voltage connections are wired as described in Section 3.8.2.</li> <li>• Test the voltage being supplied to the meter using an AC voltmeter.</li> <li>• With power off, replace any line fuses with known good fuses and test with an ohmmeter.</li> </ul>
The meter reports an Over Current installation error	If you have installed the meter on a panel, make sure that the current rating for the panel does not exceed the current rating shown on the meter's label (100A or 200A).
Meter indicates Low Current warning condition (only on models with display)	 <ul style="list-style-type: none"> <li>• Make sure that current and voltage connections are in phase (see Figure 6).</li> <li>• Use an amp clamp to verify current flow.</li> <li>• Try increasing the load above 1 Amp to see if the error condition is cleared.</li> </ul>
The meter reports a Service Required failure condition	Contact Leviton technical assistance.
The meter reports no errors but registered consumption seems too low	 <ul style="list-style-type: none"> <li>• Make sure that current and voltage connections are in phase (see Figure 6) and connected to the intended load.</li> </ul>
The meter reports no errors but the Load LED is not blinking	 <ul style="list-style-type: none"> <li>• Verify the CT orientation and wiring (see Section 3.8.3).</li> <li>• Using an amp clamp, make sure there is sufficient current (at least 1Amp). With a light load, it may take 5 to 10 minutes for the LED to blink on and off.</li> <li>• Try increasing the load to at least 10 Amps to blink the LED faster than once a minute.</li> </ul>
The meter's display is on, but doesn't cycle through the screens	Cycle power to the meter. If the problem persists, contact Leviton technical assistance.

Table 8 - Troubleshooting Guide

WEB VERSION

**Minicompteurs**  
Module de fabricant

**Manuel d'installation et guide de l'utilisateur**

**WEB VERSION**

## TABLE DES MATIÈRES

<b>1</b>	<b>Description des produits</b> .....	21
1.1	Description générale.....	21
1.2	Caractéristiques.....	21
1.3	Normes et homologations.....	21
<b>2</b>	<b>Caractéristiques techniques</b> .....	21
2.1	Composants des numéros de catalogue de minicompteurs.....	21
2.2	Données électrotechniques.....	22
<b>3</b>	<b>Directives d'installation</b> .....	23
3.1	Explication des symboles d'avertissement.....	23
3.2	Consignes de sécurité.....	23
3.3	Préparation.....	24
3.4	Liste des matériaux.....	25
3.5	Emplacement.....	25
3.6	Dimensions.....	25
3.7	Modèles de transformateurs de courant.....	26
3.8	Raccords.....	27
3.8.1	Survol des raccords électriques.....	27
3.8.2	Raccordement des fils d'entrée de tension.....	28
3.8.3	Installation des transformateurs de courant (TC).....	29, 30
3.9	Raccords de sortie.....	31
3.10	Vérification de l'installation.....	32
<b>4</b>	<b>Caractéristiques et fonctions générales de mesure</b> .....	32
4.1	Affichage des minicompteurs.....	32, 33
4.1.1	Calcul de la demande maximale.....	34
4.1.2	Utilisation de l'affichage pour déterminer l'état du minicompteur.....	34, 35
4.2	Témoin de charge.....	36
<b>5</b>	<b>Maintenance</b> .....	36
<b>6</b>	<b>Diagnostic des anomalies/questions fréquemment posées</b> .....	37, 38
<b>7</b>	<b>Garantie</b> .....	59
<b>8</b>	<b>Coordonnées</b> .....	60

WEB VERSION

## 1 DESCRIPTION DES PRODUITS

### 1.1 Description générale

Les minicompteurs de Leviton sont des dispositifs électroniques auto-alimentés à transformateurs de courant en kilowattheures (kWh) conçus pour un raccordement permanent à l'entrée d'électricité. Ils sont offerts en versions à un élément (deux fils) ou à deux éléments (trois fils).

### 1.2 Caractéristiques

Précision de 0,5 % convenant aux opérations de facturation (transformateurs de courant à noyau monobloc).

Option de transformateurs de courant à noyau ouvrant qui facilitent l'installation.

ACL intégré ou affichage mécanique externe.

Contrôle de plusieurs charges par compteur.

Sorties d'impulsions isolées permettant la lecture automatique des compteurs (LAC).

Indicateur d'inversion de phase permettant de détecter les erreurs d'installation.

Garantie de 5 ans.

### 1.3 Normes et homologations

#### Sécurité :

cRUus (composants reconnus)

UL916, 4e éd. (équipement de gestion de la consommation énergétique)

CAN/CSA C22.2 n° 61010-1, 3e éd. (règles de sécurité pour appareils électriques de mesure, de régulation et de laboratoire)

UL E124377

Catégorisation UL FTRZ (équipement de contrôle de la consommation)

Tests en vertu de la méthode CB de la norme CEI 61010-1:2010, 3e éd.

#### Compatibilité électromagnétique :

FCC, partie 15, classe B

EN/CEI 61326-1:2013, 2e éd.

EN/CEI 55011:2009+A1:2010/CISPR 22:2010, classe B

EN/CEI 61000-3-2:2006+A2:2009, classe S (distorsions harmoniques)

EN/CEI 61000-3-3:2008, classe A (papillotement)

#### Autres :

Conformité aux exigences en matière d'exactitude de la norme ANSI C12.20.

#### Immunité électromagnétique :

• EN/CEI 61326-1:2013, 2e éd.

• EN/CEI 61000-4-2:2008 (décharges électrostatiques de 8/15 kV – contact/air)

• EN/CEI 61000-4-3:2006+A2:2010 (radiofréquences)

• EN/CEI 61000-4-4:2004+A1:2010 (surtensions transitoires rapides)

• EN/CEI 61000-4-5:2005 (surtensions ligne-ligne et ligne-terre de 2/4 kV)

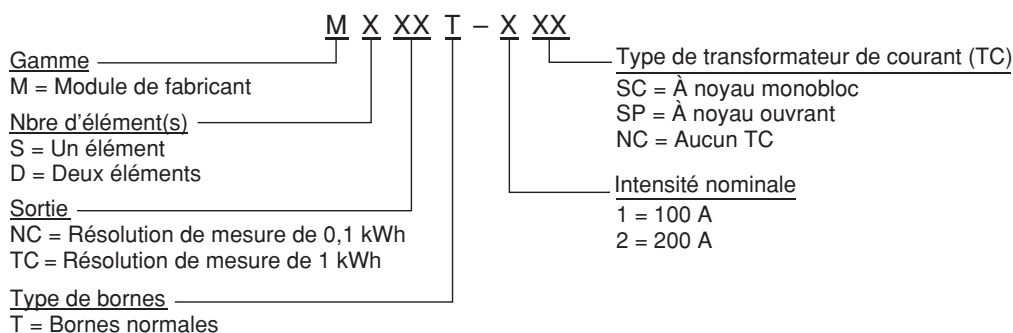
• EN/CEI 61000-4-6:2008 (perturbations induites de 3 V/m RMS)

• EN/CEI 61000-4-8:2009 (champs magnétiques de 30 A/m)

• EN/CEI 61000-4-11:2004 (chutes et interruptions de tension)

## 2 CARACTÉRISTIQUES TECHNIQUES

### 2.1 Composants des numéros de catalogue de minicompteurs



## 2.2 DONNÉES ÉLECTROTECHNIQUES

	60 Hz	50 Hz
Configurations des entrées <i>Remarque : le neutre doit toujours être connecté</i>	1PH/2F, 120 V c.a. 1PH/3F, 120/240 V c.a. (phases distinctes) 2PH/3F, 120/208 V c.a.	1PH/2F, 240 V c.a.
Plage de tension d'alimentation (ligne à neutre) <sup>1</sup>	108-132 V c.a.	216-264 V c.a.
Puissance d'entrée maximale	5 VA max.	16 VA max
Fréquence de ligne	60 Hz	50 Hz
Courant nominal maximal (100/200 A/m)	Primaire : courant nominal + 10 % Secondaire : 110 mA (0,11 A)	
Plage de facteurs de puissance	0,5 à 1,0 (facteur inductif) 0,866 à 1,0 (facteur capacitif)	
Précision <sup>2</sup> (de -20 à 50 °C)	Conforme à la norme ANSI C12.20 (0,5 %) en présence de transformateurs de courant à noyau monobloc étalonnés	
Température de fonctionnement et de rangement	-30 à 70 °C	
Sorties isolées <sup>3</sup>	10 Wh/impulsion, 100 Wh/impulsion, 1 kWh/impulsion, borne commune isolée (Isol Com) comme point de référence, sorties à collecteur ouvert.	
Sortie d'affichage mécanique <sup>3</sup>	Affichage mécanique de 12 V c.c., 10 mA max. (sortie non isolée, pour le précâblage seulement).	
Sortie de 12 V c.c.	Sortie de 12 V c.c., 10 mA max. (sortie non isolée, pour le précâblage seulement).	
Bornes de connexion (module de fabricant)	Couple de serrage de 3,5 lb-po max. (fils de cuivre pleins ou toronnés de calibre 14 à 18 AWG).	
Câblage fixe	Fils de sortie de calibre 18 AWG et bornes à vis fixes pour les transformateurs de courant et les sorties d'impulsions.	

**Tableau 1 : caractéristiques techniques des minicompteurs**

- <sup>1</sup> Dispositif conçu pour les emplacements à pollution de degré 2 (pollution non conductrice seulement). Il arrive toutefois qu'une conductivité temporaire se produise par condensation.
- <sup>1b</sup> L'alimentation principale ne doit pas connaître de fluctuations de +/- 10 %.
- <sup>2</sup> Modèles à noyau monobloc avec une sortie maximale de 100 mA (résistance de charge à 3 Ω).
- <sup>3</sup> Courant d'entrée maximal de 12 V c.c., 50 mA, 0,6 W (un courant plus élevé entraînerait la coupure des sorties afin de ne pas provoquer d'incendie au niveau de l'équipement raccordé).



### 3 DIRECTIVES D'INSTALLATION

La section suivante traite du raccordement des minicompteurs. Ceux-ci doivent être logés dans un boîtier homologué UL pour cet usage particulier.

Les minicompteurs doivent être installés par un électricien agréé.

En cas de doute ou de problème, il ne faut pas hésiter à employer les coordonnées apparaissant à la fin du présent manuel pour obtenir les renseignements requis. Leviton ne peut être tenue responsable des dommages subis par les compteurs à cause d'erreur de câblage.

#### 3.1 Explication des symboles d'avertissement



Indique le besoin de consulter le mode d'emploi à cause de risques potentiels. Il faut toujours adopter des pratiques sécuritaires conformes à la norme américaine NFPA 70E ou aux codes locaux applicables.



Indique des risques de décharge électrique. Avant de procéder, il faut mettre le circuit hors tension et consulter le mode d'emploi.

#### 3.2 Consignes de sécurité



### AVERTISSEMENTS



- **AVERTISSEMENT : POUR ÉVITER LES RISQUES D'INCENDIE, DE DÉCHARGE ÉLECTRIQUE OU D'ÉLECTROCUTION**, couper toutes les sources d'alimentation des produits à installer avant de procéder à leur câblage. Se servir d'un détecteur de tension aux valeurs nominales appropriées pour s'assurer que le courant a bien été coupé.
- Le fait de ne pas respecter les présents avertissements pourrait entraîner des blessures graves ou la mort.
- L'installation de compteurs électriques implique une exposition à des tensions possiblement dangereuses. Les présentes directives sont conçues en guise de supplément pour aider des professionnels formés et qualifiés.
- L'installation doit être effectuée conformément à tous codes locaux et nationaux de l'électricité.
- Pour qu'il puisse offrir les protections indiquées, les produits décrits doivent être utilisés conformément aux présentes directives.

Pour être qualifiée, la personne qui installe les produits décrits aux présentes doit posséder les connaissances et les compétences nécessaires à leur installation et à leur mise en service, et avoir été formée de manière à reconnaître et à éviter les risques qui leur sont associés. Leviton ne peut être tenue responsable des conséquences de l'utilisation de ces produits.

## 3 DIRECTIVES D'INSTALLATION

### 3.3 Préparation

- Vérifier le numéro de modèle et les caractéristiques électriques du dispositif afin de confirmer qu'il convient à l'utilisation qu'on prévoit en faire (se reporter à la section 2).
- Consulter les codes locaux pour déterminer la nécessité de se pourvoir en permis ou de se soumettre à des inspections avant de commencer les travaux.
- S'assurer que tous les outils qui serviront à l'installation présentent le niveau d'isolation nominal requis.
- Les minicompteurs décrits aux présentes doivent être utilisés de façon autonome ou associés à de l'équipement répondant aux conditions d'acceptabilité des Underwriters Laboratories.
- Les minicompteurs décrits aux présentes doivent être logés dans un boîtier homologué UL.
- Les minicompteurs décrits aux présentes peuvent résister à des surcharges de catégorie III; ils doivent être installés du côté charge des protecteurs de dérivation.
- N'étant pas isolées des circuits de mesure de l'alimentation principale, les broches 1 et 2 de l'affichage mécanique et de la sortie de 12 V c.c. doivent être considérées comme étant sous tension et dangereuses. Ces circuits ne doivent pas être accessibles après leur installation définitive dans le boîtier homologué UL.
- Comme on l'indique sur l'étiquette, les sorties isolées sont séparées des fils d'alimentation et sont issues de circuits à basse tension. Ces sorties, de même que les fils des transformateurs de courant, doivent avoir un espacement/une ligne de fuite de 3 mm, et afficher une rigidité diélectrique de 3 000 V c.a. La conformité de l'isolant doit être vérifiée si les utilisateurs peuvent accéder aux circuits de sortie.
- Les minicompteurs décrits aux présentes ne peuvent prendre en charge que les transformateurs de courant prescrits et homologués UL 2808 (XOBA/7) ayant un courant secondaire nominal de 0,1 A.
- Les minicompteurs décrits aux présentes sont conçus pour fonctionner sur des dérivations protégées des surcharges par des dispositifs de 15 A.
- L'installateur doit employer des méthodes de câblage de classe I pour les circuits d'entrée de tension/de mesure, pour le circuit de mesure secondaire du transformateur de courant, ainsi que pour les connexions de 12 V c.c./de l'affichage mécanique.
- On peut employer des méthodes de câblage de classe II pour les sorties isolées si elles sont alimentées par une source distincte de la même classe, et si les fils sont acheminés à une distance minimale de 6 mm (1/4 po) de tous les autres qui sont reliés au dispositif et dans son logement. Dans le cas contraire, il faut employer des méthodes de câblage de classe I.
- On ne peut installer de transformateurs de courant qui occupent plus de 75 % de l'espace de câblage de n'importe quelle section transversale.
- Les transformateurs de courant ne peuvent être installés de manière à bloquer des orifices de ventilation du panneau principal.
- Les transformateurs de courant doivent être fixés et les fils doivent être acheminés de manière à ne pas entrer en contact avec des bornes actives, des bus à basse tension non isolés, des circuits d'alimentation principale ou des conducteurs d'autres circuits.
- Les fils de sortie des transformateurs de courant et des minicompteurs doivent être raccordés dans le même boîtier.
- L'équipement auquel les utilisateurs peuvent accéder doit porter l'avertissement suivant : « Pour réduire les risques de décharge électrique, il faut toujours ouvrir ou déconnecter le circuit contrôlé provenant du panneau de branchement du bâtiment avant d'installer ou de manipuler un transformateur de mesure du courant ».
- Si des directives critiques sont fournies avec les minicompteurs au lieu d'être incluses dans les documents destinés aux utilisateurs, ceux-ci doivent contenir des renvois à ces premières.
- Les sorties isolées doivent être alimentées par une source à très basse tension de sécurité (SELV) ou un équivalent assurant une isolation double ou renforcée, à moins qu'elles ne sortent pas du boîtier et ne soient pas connectées à des circuits auxquels les utilisateurs peuvent accéder.
- Les minicompteurs décrits aux présentes ne peuvent être installées après coup dans des panneaux ou de l'appareillage de commutation existants. Des procédures d'évaluation supplémentaire sont requises avant de procéder à de telles installations.
- Les minicompteurs décrits aux présentes affichent une résistance aux environnements à pollution de degré 2, qui n'est normalement associé qu'à une pollution non conductrice. Il arrive toutefois qu'une conductivité temporaire se produise par condensation.

### 3 DIRECTIVES D'INSTALLATION

#### 3.4 Liste des matériaux

- Fils de raccordement de la ligne 1, de la ligne 2 et du neutre fournis.
- Fils de circuit : calibre 14 à 18 AWG min., isolant de 300 V min. La résistance thermique nominale devrait correspondre au milieu de fonctionnement.

#### 3.5 Emplacement

- Les minicompteurs requièrent la présence d'un disjoncteur ou d'un sectionneur de courant dans le bâtiment.
- Ce disjoncteur ou ce sectionneur doit être marqué comme leur étant dédié.
- Les minicompteurs devraient être installés près du disjoncteur ou du sectionneur, à un endroit adéquatement ventilé à l'abri des rayons directs du soleil, qui pourraient entraîner une surchauffe. Les minicompteurs et les transformateurs de courant devraient être tenus à l'écart de transformateur et d'équipement radio.
- Le boîtier des minicompteurs devrait être placé de façon à ne pas réduire l'accessibilité du disjoncteur/sectionneur.
- Les fils de tension et de transformation du courant (de même que les conduits) doivent être suffisamment longs pour relier le logement au panneau à disjoncteurs.
- Si on ne peut trouver d'emplacement convenable près du panneau, il pourrait être nécessaire d'ajouter des fusibles ou disjoncteurs montés sur conducteur, conformément aux exigences du NEC américain ou des codes de l'électricité.

#### 3.6 Dimensions

- La figure 1 montre les dimensions du logement et du couvercle d'un minicompteur simple.

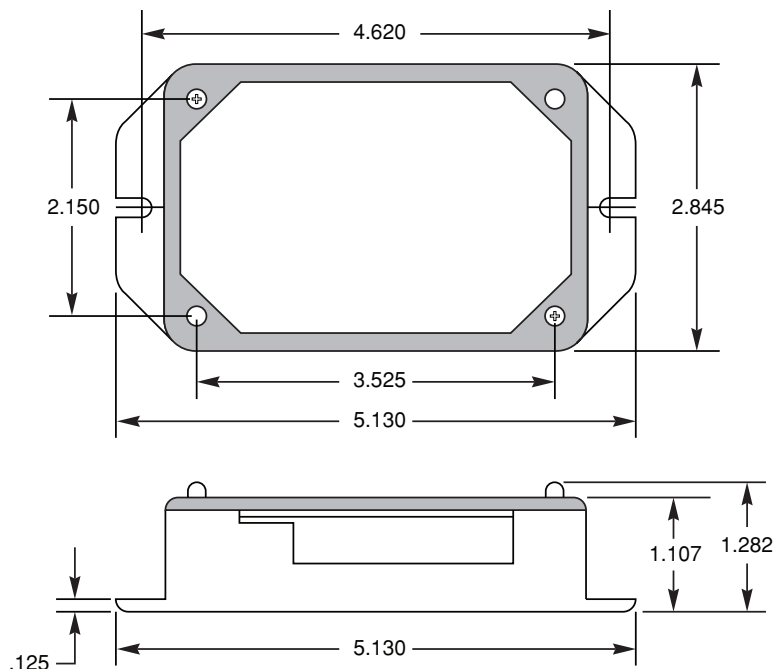


Figure 1 – Dimensions d'un minicompteur, en pouces

### 3 DIRECTIVES D'INSTALLATION

#### 3.7 Modèles de transformateurs de courant

- TC à noyau monobloc de Leviton (figure 2, photo de gauche) : conformément à l'étiquette, le côté LIGNE de ces TC doivent faire face à la ligne entrante. Le fil de sortie blanc se raccorde à la borne X2, et le fil de sortie noir ou coloré, à la borne X1 appropriée. Les TC sont chromocodés (noir/blanc et rouge/blanc, ou noir/noir et noir/gris) pour faciliter le respect de la concordance des phases.



Figure 2 – TC à noyau monobloc et à noyau ouvrant de Leviton

- TC à noyau ouvrant de Leviton (figure 2, photo de droite) : le côté affichant les étiquettes blanches (vers le haut sur la photo) doit faire face à la LIGNE entrante. Le fil blanc se raccorde à la borne X2 et le fil coloré, à la borne X1.

### 3 DIRECTIVES D'INSTALLATION

#### 3.8 Raccords

##### 3.8.1 Survol des raccords électriques

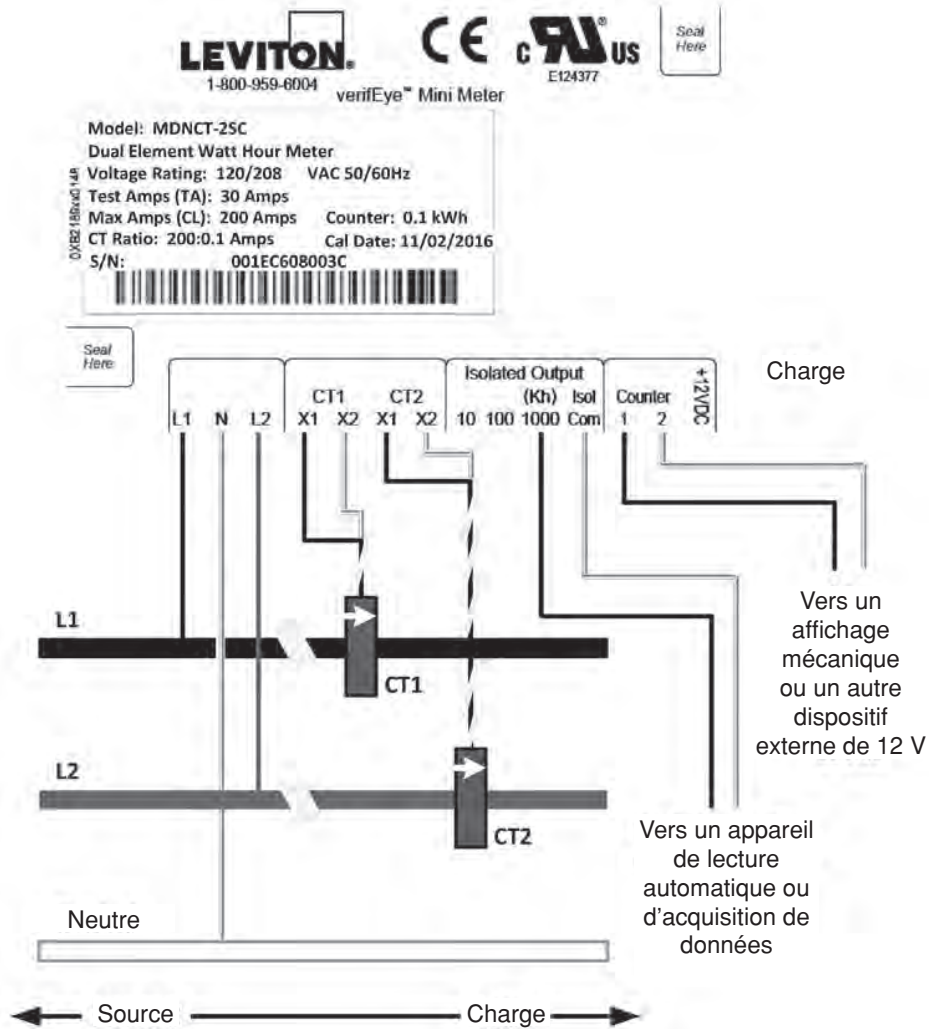


Figure 3 – Raccords d'un minicompteur

WEB VERSION

### 3 DIRECTIVES D'INSTALLATION

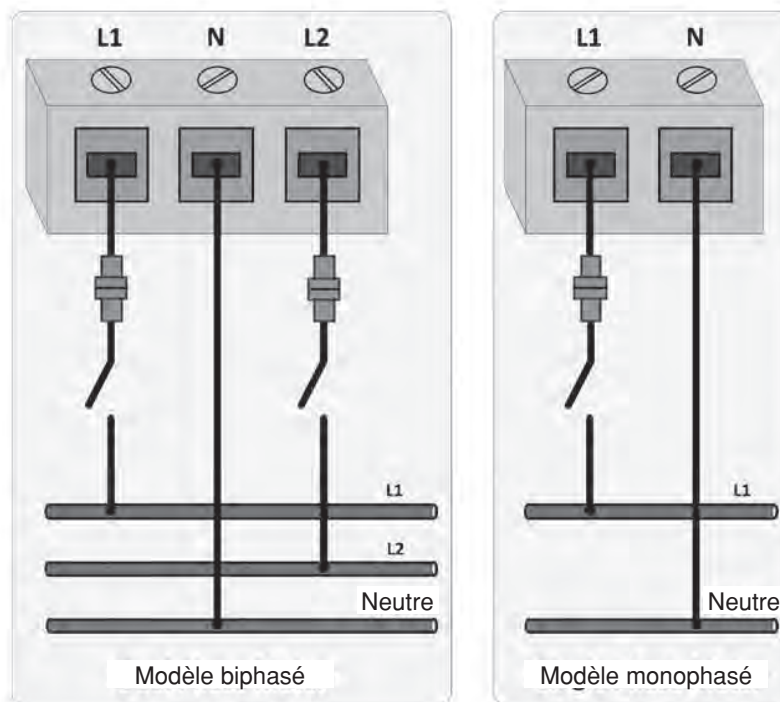
#### 3.8.2 Raccordement des fils d'entrée de tension



1. Selon la dérivation et les exigences des codes locaux, il pourrait être nécessaire d'installer des fusibles montés sur conducteur.
2. Raccorder les fils d'alimentation aux endroits correspondant à la ligne et au neutre dans le panneau à disjoncteurs, conformément à tous les codes locaux et nationaux de l'électricité. On trouve au tableau 2 la description de chacun de ces fils.
3. Le minicompteur doit tirer son courant de la même source que la charge qu'il mesure.
4. Couper les fils à une longueur permettant d'éviter les boucles et le mou.
5. Dénuder au besoin les fils sur 0,3 po (7,5 mm) et les connecter aux bornes appropriées.

Entrées de tension	Description
L1	Entrée de tension, ligne 1 (fil noir, requis)
L2	Entrée de tension, ligne 2 (fil rouge)
N	Entrée de neutre (fil blanc, requis)

Tableau 2 – Description des fils d'entrée



Remarque : on recommande l'usage de fusibles montés sur conducteur

Figure 4 – Schéma de câblage

### 3 DIRECTIVES D'INSTALLATION

#### 3.8.3 Installation des transformateurs de courant (TC)

Exigences générales :

- Si les fils secondaires d'un TC sont acheminés par un conduit, les épissures doivent être effectuées dans le boîtier des minicompteurs, et non à l'intérieur du conduit en question. Les fils de sortie des TC de Leviton sont de calibre 18 AWG et longs de 48 po (122 cm).
- On peut acheminer les fils d'entrée de tension et les fils secondaires d'un TC dans le même conduit, à condition qu'ils répondent tous aux exigences des codes locaux (calibre minimal de 18 AWG). Les TC doivent être solidement fixés de manière à ce qu'ils ne glissent pas sur des bornes actives.
- Si on veut de bonnes lectures, les entrées de courant et de tension doivent être « en phase ». Comme on le voit à la figure 6, le TC1 doit contrôler la phase reliée à L1, et le TC2 doit contrôler la phase reliée à L2. Les TC doivent être raccordés entre la ligne et la charge, et non sur les fils de tension qui mènent aux minicompteurs.
- Il faut s'assurer que tous les TC sont correctement orientés. Si le minicompteur affiche une erreur d'inversion (voir le tableau 7), il est probable qu'un TC est mal orienté, ou que les connexions aux bornes X1 et X2 ont été interverties.



1. Dénuder les fils sur 0,3 po (7,5 mm).
2. Couper les fils à une longueur permettant d'éviter les boucles et le mou.
3. Raccorder les fils de sortie du TC aux bornes appropriée en orientant ce dernier correctement (voir la figure 6). Le tableau 3 décrit les raccords requis.
4. Installation de TC à noyau ouvrant.
  - a. Retirer les vis illustrées à la figure 5 et ouvrir le TC.
  - b. Alors que le courant est coupé, placer le TC autour du conducteur approprié, en s'assurant que les étiquettes blanches (sur le dessus, à la figure 5) sont face au côté ligne (source).
  - c. Aligner les marques blanches (visibles du côté gauche sur les illustrations de la figure 5) des deux éléments du TC. Réassembler le TC et remettre les vis en place. Pour assurer la précision des mesures, il est essentiel que les marques blanches soient bien alignées, et que les deux parties du TC soient bien serrées ensemble.
  - d. Raccorder les fils du TC aux entrées du minicompteur, conformément aux descriptions du tableau 3.
  - e. Reprendre la procédure pour le conducteur restant en cas d'installation biphasée (voir la figure 6).



Figure 5 – TC à noyau ouvrant, fermé (à gauche) et ouvert (à droite)

- a. Installation de TC à noyau monobloc : alors que le courant est coupé, déconnecter un à la fois chacun des conducteurs contrôlés et y glisser un TC, en s'assurant qu'il soit bien orienté (voir la figure 6). Reconnecter les conducteurs. Raccorder les fils du TC aux entrées du minicompteur, conformément aux descriptions du tableau 3.

WEB VERSION

### 3 DIRECTIVES D'INSTALLATION

#### 3.8.3 Installation des transformateurs de courant (TC)

Entrées de TC	
TC1 : X1	Transformateur de courant no 1, entrée X1 (fil coloré du TC1)
TC1 : X2	Transformateur de courant no 1, entrée X2 (fil blanc du TC1)
TC2 : X1	Transformateur de courant no 2, entrée X1 (fil coloré du TC2)
TC2 : X2	Transformateur de courant no 2, entrée X2 (fil blanc du TC2)

Tableau 3 – Connexions des transformateurs de courant

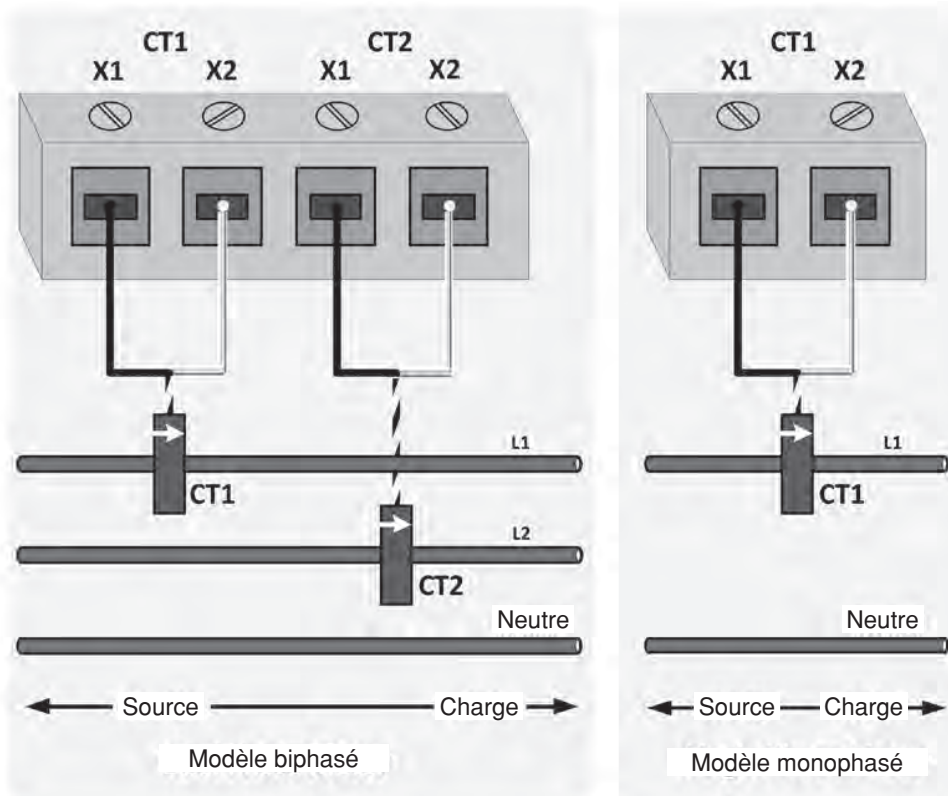


Figure 6 – Schéma de câblage des TC

WEB VERSION



### 3 DIRECTIVES D'INSTALLATION

#### 3.9 Raccords de sortie

Les sorties d'impulsions et d'affichage permettent de voir la consommation réelle d'énergie. Dans le cas de modèles à deux éléments, il s'agit du total des lignes 1 et 2. La sortie isolée de 10 Wh est normalement utilisée pour la vérification et le calibrage du minicompteur. Les sorties de 100 et de 1 000 Wh sont prévues pour les systèmes de lecture automatique. Deux bornes sont également prévues pour raccorder un affichage mécanique. Ces bornes n'ont aucune polarité. Les tensions collecteur-émetteur (Vce) des sorties sont données au tableau 4.

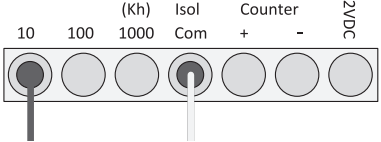
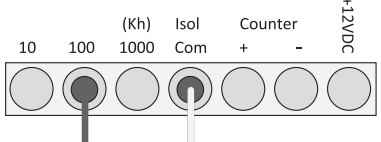
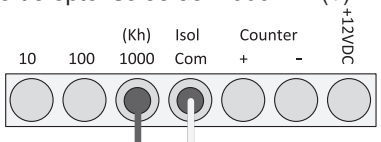
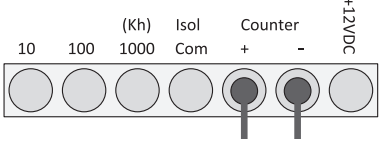
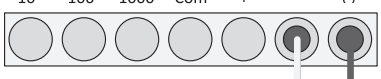
<p>Sortie opto-isolée de 10 Wh (+)</p> 	<p>Sortie d'impulsions pour la consommation réelle totale, ou énergie fournie en kWh (connexion positive [+] d'une entrée de signaux). Fréquence d'impulsions de 10 Wh (5 Wh sous tension, 5 Wh hors tension). Vce = 40 V c.c.; Icc = 50 mA max.</p>
<p>Sortie opto-isolée de 100 Wh (+)</p> 	<p>Sortie d'impulsions pour la consommation réelle totale, ou énergie fournie en kWh (connexion positive [+] d'une entrée de signaux). Fréquence d'impulsions de 100 Wh (50 Wh sous tension, 50 Wh hors tension). Vce = 40 V c.c.; Icc = 50 mA max.</p>
<p>Sortie opto-isolée de 1 000 Wh (+)</p> 	<p>Sortie d'impulsions pour la consommation réelle totale, ou énergie fournie en kWh (connexion positive [+] d'une entrée de signaux). Fréquence d'impulsions de 1 kWh (500 Wh sous tension, 500 Wh hors tension). Vce = 40 V c.c.; Icc = 50 mA max.</p>
<p>Sortie opto-isolée commune (-)</p>	<p>Connexion commune négative pour les sorties opto-isolées de 10, 100 et 1 000 Wh. Se reporter aux schémas précédents.</p>
<p>Sorties d'affichage (+ et -)</p> <p>1 comptage = 100 Wh pour les modèles de 0,1 kWh 1 comptage = 1 000 Wh pour les modèles de 1 kWh</p> 	<p>Sorties non isolées pour un affichage mécanique de 12 V c.c. Ces sorties n'ont aucune polarité; un fil de l'affichage ou l'autre peut être raccordé à la sortie (d'impulsions) positive [+].</p>
<p>Sortie de 12 V c.c.</p> 	<p>Sortie non isolée de 12 V c.c. à 10 mA pour des applications spécialisées, comme un transmetteur à alimentation de ligne. On l'utilise avec la sortie d'affichage négative [-].</p>

Tableau 4 – Description des sorties d'impulsions isolées

WEB VERSION

### 3 DIRECTIVES D'INSTALLATION

#### 3.10 Vérification de l'installation

##### Tension

L'affichage est toujours actif quand le minicompteur est bien alimenté par les fils de ligne 1 et neutre (se reporter à la section 4.1 pour trouver une description des composants de l'ACL).

##### Énergie

Avant de procéder à cette vérification, il faut s'assurer que le minicompteur est raccordé à une charge tirant un minimum de 1 A.

En bas à gauche de l'écran, on trouve un indicateur de « flux énergétique ». S'il pointe vers la droite, la consommation mesurée est positive (normale), et s'il pointe vers la gauche, la consommation mesurée est négative.

Si aucune flèche ou pointe n'apparaît ou si la flèche pointe vers la gauche, c'est que l'installation n'a pas été correctement effectuée. Se reporter alors à la section 6 pour procéder au diagnostic des anomalies.

##### Charge

Le témoin de charge a une fréquence d'impulsions de 10 Wh (5 Wh sous tension, 5 Wh hors tension). Son cycle devrait donc être de 50 % quand le compteur est bien raccordé et une charge constante est appliquée. La figure 7 montre l'apparence de l'ACL quand le minicompteur est bien installé.

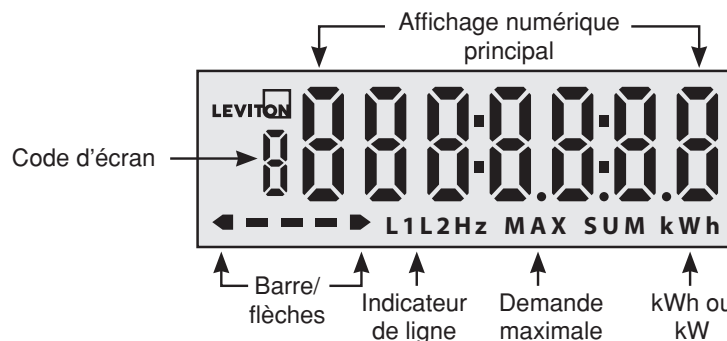


Figure 7 – Exemple d'écran en mode de fonctionnement normal

### 4 CARACTÉRISTIQUES ET FONCTIONS GÉNÉRALES DE MESURE

#### 4.1 Affichage des minicompteurs

On peut voir à la figure l'ACL d'un minicompteur.



Le tableau 5 décrit les écrans qui apparaissent séquentiellement au démarrage et en mode de fonctionnement normal. Ceux de démarrage sont affichés une fois seulement lors de la mise en service du minicompteur. Par la suite, ce sont ceux d'exécution qui s'ouvrent un à un, en boucle (voir le tableau 6). Dans le cas de modèles à deux éléments, l'énergie fournie, la demande et la puissance correspondent aux valeurs combinées des lignes 1 et 2.

#### 4 CARACTÉRISTIQUES ET FONCTIONS GÉNÉRALES DE MESURE

Écrans de démarrage	
Code d'écran	Description
d	Date de fabrication : six chiffres au format AAMMJJ.
E	Nbre d'élément(s) : « 1 ELt » pour un élément, « 2 ELt » pour deux.
o	Résolution de sortie de l'affichage mécanique : « cnt 0.1 » pour 0,1 kWh, « cnt 1.0 » pour 1 kWh.
C	CIntensité nominale du TC : « 100:0.1 » pour un TC de 100 A, « 200:0.1 » pour un TC de 200 A.
S	Première partie du numéro de série : affichage des six premiers caractères du numéro de série du minicompteur.
n	Seconde partie du numéro de série : affichage des six derniers caractères du numéro de série du minicompteur.
r	Code de révision du logiciel : trois numéros au format « N.nn », où « N » est le numéro de révision principal, et « nn » les numéros de révision secondaires.
8	Affichage test : tous les segments de l'ACL s'allument aux fins de vérification.
Écrans d'exécution	
Code d'écran	Description
1	Énergie réelle fournie en kWh. Quand la valeur est inférieure à 100 000, l'affichage montre deux décimales (« 123456.78 », par exemple). De 100 000 à 999 999 kWh, l'affichage montre une décimale (« 987654.3 », par exemple). À 1 000 000 kWh, le compte reprend à « 0.00 ».
2	Demande maximale en kW. Se reporter à la section 0 pour obtenir plus de détails.
3	Puissance instantanée en kW. Cet écran ne s'affiche que durant les 24 premières heures après la mise en service du minicompteur et lors de conditions d'erreur pour aider à vérifier l'installation de ce dernier.
4	Code d'erreur. Cet écran ne s'affiche qu'en condition d'erreur (voir le tableau 7).

Tableau 5 – Séquences d'écrans de l'ACL

État du minicompteur	Cycle d'affichage des écrans d'exécution
NORMAL, durant 24 heures après la mise en service	1, 2, 3, (en boucle)
NORMAL, après 24 heures d'utilisation	1, 2, (en boucle)
ERREUR, toujours	1, 4, 2, 4, 3, 4, (en boucle)

Tableau 6 – Cycle d'affichage des écrans d'exécution de l'ACL

## 4 CARACTÉRISTIQUES ET FONCTIONS GÉNÉRALES DE MESURE

### 4.1.1 Calcul de la demande maximale

La valeur de la demande maximale correspond à la consommation de pointe sur une période de 24 heures; elle est calculée utilisant la méthode des « fenêtres glissantes » par intervalles de 15 minutes, eux-mêmes divisés en sous-intervalles de 5 minutes, comme suit :

- dans le cas de modèles à deux éléments, la valeur correspond au total des lignes 1 et 2;
- les mesures sont additionnées durant les sous-intervalles de 5 min, puis établies en moyenne à la fin de chacun;
- à la fin de chaque sous-intervalle, la moyenne de la demande des trois plus récents sous-intervalles est établie de façon à obtenir une valeur d'intervalle;
- pour chaque période de 24 heures, la valeur d'intervalle la plus élevée est enregistrée;
- durant les 24 premières heures de service du minicompteur, l'affichage de la demande maximale montre la valeur d'intervalle la plus élevée depuis le démarrage;
- après 24 heures de fonctionnement, la demande maximale n'est mise à jour qu'une fois par jour, montrant à nouveau la valeur d'intervalle la plus élevée durant la période précédente.

Il est à noter que les périodes de calcul de 24 heures démarrent au moment de la mise en service du minicompteur, et ne correspondent pas nécessairement aux heures indiquées par une horloge réelle.

### 4.1.2 Utilisation de l'affichage pour déterminer l'état du minicompteur

Le tableau 7 montre de quelle façon les erreurs sont indiquées sur l'ACL. Celles-ci y apparaissent en ordre de priorité (la plus importante en premier). Toutefois, si d'autres conditions d'erreur existent, l'écran ne les affichera pas.

Si la même erreur d'installation existe sur deux lignes, l'écran n'indiquera que celle de la ligne 1, mais les symboles « L1 » et « L2 » clignoteront tous les deux.

#### 4 CARACTÉRISTIQUES ET FONCTIONS GÉNÉRALES DE MESURE

Catégorie d'erreur	État du minicompteur	Message	Barre/flèches	Symboles L1/L2	Explication
Aucune	Normal	Aucun	Flèche animée vers la droite	Tous deux éteints	Aucune erreur et aucun avertissement
Avertissement	Courant faible	Aucun	Barre et flèches éteintes	Un ou les deux clignotent	Puissance supérieure ou égale à -15 W, mais inférieure à +15 W
Installation	Inversion	« Err rC1 » ou « Err rC2 »	Flèche pointant vers la gauche (aucun clignotement)	Un ou les deux clignotent	Puissance inférieure à 15 W
Installation	Mauvais facteur de puissance	« Err PF1 » ou « Err PF2 »	Barre allumée (aucun clignotement), aucune flèche	Un ou les deux clignotent	Vérifié seulement quand le courant est supérieur au niveau de courant de démarrage. Erreur quand l'angle de phase est supérieur à 80° et inférieur à 90°
Installation	Sous-tension	« Err LU1 » ou « Err LU2 »	Barre allumée (aucun clignotement), aucune flèche	Un ou les deux clignotent	Tension inférieure à 102 V
Installation	Surtension	« Err HU1 » ou « Err HU2 »	Barre allumée (aucun clignotement), aucune flèche	Un ou les deux clignotent	Tension supérieure à 138 V
Installation	Surintensité	« Err HC1 » ou « Err HC2 »	Barre allumée (aucun clignotement), aucune flèche	Un ou les deux clignotent	Courant supérieur à 110 A (TC de 100 A) ou à 220 A (TC de 200 A)
Défaillance	Réparations requises	FAIL 01, FAIL 02... FAIL 05	Barre clignotante, aucune flèche	Tous deux éteints	Erreur de fonctionnement détectée

**Tableau 7 – Messages de l'ACL**

En situation de défaillance, en plus du message « FAIL » sur la page d'erreur, l'identificateur de chaque écran (chiffre à l'extrême gauche) se met à clignoter, passant du code lui-même à la lettre « F ».

En présence de modèles à un élément, aucune erreur ne peut être rapportée sur la ligne 2.

En cas d'erreurs d'installation, on peut consulter la section 6 des présentes (diagnostic des anomalies). En cas de message de défaillance, il faut communiquer avec le personnel de soutien technique de Leviton.

WEB VERSION

## 4 CARACTÉRISTIQUES ET FONCTIONS GÉNÉRALES DE MESURE



Écran de démarrage montrant l'intensité nominale du TC (aucune condition d'erreur)



Écran d'exécution montrant l'énergie réelle fournie (aucune condition d'erreur)



Écran d'erreur montrant un code de réparation requise



Écran d'erreur montrant un problème d'inversion sur la ligne 1



Écran d'erreur montrant un problème de facteur de puissance sur la ligne 2



Écran d'erreur montrant un problème de sous-tension sur les lignes 1 et 2

Figure 9 – Exemples d'écran de l'ACL

### 4.2 Témoin de charge

Le témoin de charge a une fréquence d'impulsions de 10 Wh (5 Wh sous tension, 5 Wh hors tension) pour indiquer la quantité d'énergie consommée. Dans le cas de modèles à deux éléments, il s'agit du total des lignes 1 et 2.


## 5 MAINTENANCE

S'ils ont été correctement installés et bien raccordés, les minicompteurs ne devraient requérir aucun entretien. Si toutefois leur fonctionnement n'est pas normal, on peut consulter la section 6 des présentes (diagnostic des anomalies). Si on ne trouve pas de solution, on peut communiquer avec le personnel de soutien technique de Leviton.

WEB VERSION

## 6 DIAGNOSTIC DES ANOMALIES/QUESTIONS FRÉQUEMMENT POSÉES

Si le minicompteur ne fonctionne pas normalement, prière de consulter les éléments suivants en premier.

Le minicompteur est-il alimenté?	
Comment le déterminer :	L'affichage est complètement vide.
Que faire :	 <ul style="list-style-type: none"><li>• Vérifier que les raccords sont conformes aux directives de la section 3.8.</li><li>• Vérifier la tension d'alimentation du minicompteur au moyen d'un voltmètre de courant alternatif.</li><li>• Couper le courant et remplacer les fusibles montés sur conducteur; vérifier la résistance au moyen d'un ohmmètre.</li></ul>

Y a-t-il une condition d'erreur?	
Comment le déterminer :	Se reporter au tableau 7.
Que faire :	Suivre les directives du tableau 7 pour identifier l'erreur, puis résoudre le problème en consultant le tableau 8 (diagnostic des anomalies).

Des solutions peuvent être trouvées dans le guide de diagnostic des anomalies (tableau 8 à la page suivante).

WEB VERSION

## 6 DIAGNOSTIC DES ANOMALIES/QUESTIONS FRÉQUEMMENT POSÉES






Problème	Que faire
Erreur d'installation (inversion de flux énergétique ou mauvais facteur de puissance)	 <ul style="list-style-type: none"> <li>• Vérifier les raccords et l'orientation des TC (voir la section 3.8.3).</li> <li>• S'assurer que chacun des TC est installé sur la bonne phase. Se reporter au schéma de câblage des TC (figure 6). <ul style="list-style-type: none"> <li>– Le TC raccordé aux bornes TC1 X1/ X2 doit contrôler la même phase que le fil de ligne connecté à la borne L1 du minicompteur.</li> <li>– Le TC raccordé aux bornes TC2 X1/ X2 doit contrôler la même phase que le fil de ligne connecté à la borne L2 du minicompteur.</li> </ul> </li> </ul>
Erreur d'installation (sous-tension ou surtension)	 <ul style="list-style-type: none"> <li>• Vérifier que les raccords sont conformes aux directives de la section 3.8.2.</li> <li>• Vérifier la tension d'alimentation du minicompteur au moyen d'un voltmètre de courant alternatif.</li> <li>• Couper le courant et remplacer les fusibles montés sur conducteur; vérifier la résistance au moyen d'un ohmmètre.</li> </ul>
Erreur d'installation (surintensité)	En cas d'installation sur panneau, s'assurer que l'intensité nominale de ce dernier ne dépasse pas celle indiquée sur l'étiquette du minicompteur (100 ou 200 A).
Erreur d'avertissement (courant faible)	 <ul style="list-style-type: none"> <li>• S'assurer que les entrées de courant et de tension sont en phase (voir la figure 6).</li> <li>• Utiliser une pince ampèremétrique pour vérifier le courant.</li> <li>• Hausser la charge à 1 A pour voir si l'erreur persiste.</li> </ul>
Erreur de défaillance	Communiquer avec le soutien technique de Leviton (voir la section 7).
Aucune erreur n'est indiquée, mais la consommation enregistrée semble trop basse	 <ul style="list-style-type: none"> <li>• S'assurer que les entrées de courant et de tension sont en phase (voir la figure 6) et reliées à la charge visée.</li> </ul>
Aucune erreur n'est indiquée, mais le témoin de charge ne clignote pas	 <ul style="list-style-type: none"> <li>• Vérifier les raccords et l'orientation des TC (voir la section 3.8.3).</li> <li>• Utiliser une pince ampèremétrique pour déterminer si le courant est suffisant (1 A min.). Quand la charge est faible, le témoin pourrait mettre de 5 à 10 min pour s'éteindre et s'allumer.</li> <li>• Hausser la charge à au moins 10 A pour faire clignoter le témoin plus d'une fois par minute.</li> </ul>
L'ACL du minicompteur est actif, mais il ne passe pas d'un écran à l'autre	Commuter l'alimentation du minicompteur. Si le problème persiste, communiquer avec le soutien technique de Leviton.

Tableau 8 – Guide de diagnostic des anomalies





ESPAÑOL

**Medidores Mini**  
Módulo de OEM

**Manual del Usuario e Instalación**

**WEB VERSION**

## CONTENIDO

<b>1 Descripción del Producto</b> .....	41
1.1 Descripción General .....	41
1.2 Características del Medidor Mini .....	41
1.3 Normas y Certificaciones .....	41
<b>2 Especificaciones Técnicas</b> .....	41
2.1 Claves del Número de Parte del Medidor Mini .....	41
2.2 Especificación Eléctrica .....	42
<b>3 Instrucciones de Instalación</b> .....	43
3.1 Explicación de Símbolos de Advertencia .....	43
3.2 Precauciones de Seguridad .....	43
3.3 Preparación .....	44
3.4 Lista de Materiales .....	45
3.5 Ubicación del Montaje .....	45
3.6 Dimensiones Físicas .....	45
3.7 Variaciones del Transformador de Corriente .....	46
3.8 Conexiones Eléctricas .....	47
3.8.1 Descripción General de Conexiones .....	
Eléctricas .....	47
3.8.2 Instalación de Cables de Entrada de Voltaje .....	48
3.8.3 Instalación de Transformadores de Corriente .....	49, 50
3.9 Conexiones de Salida .....	51
3.10 Prueba de la Instalación .....	52
<b>4 Características Generales de la Medición y Funcionalidad</b> .....	52
4.1 Pantalla del Medidor Mini .....	52, 53
4.1.1 Cálculo de la Demanda Máxima .....	54
4.1.2 Utilización de la Pantalla para Determinar el Estado del Medidor .....	54, 55
4.2 LED de Carga .....	56
<b>5 Mantenimiento</b> .....	56
<b>6 Detección y Corrección de Fallas / Preguntas Frecuentes</b> .....	57, 58
<b>7 Garantía</b> .....	59
<b>8 Información de Contacto</b> .....	60

WEB VERSION

## 1 DESCRIPCIÓN DEL PRODUCTO

### 1.1 Descripción General

El Módulo de OEM del Medidor Mini es un medidor de kilovatios-hora (kWh) electrónico clasificado para transformador de corriente (TC) autoalimentado, diseñado para conexión permanente a un servicio eléctrico. Existen dos configuraciones para los Medidores Mini: de elemento único (2 cables) y elemento doble (3 cables).

### 1.2 Características del Medidor Mini

Precisión del 0.5% tipo comercial con TC de núcleo sólido TC de núcleo dividido opcional fácil de instalar  
LCD integrada o contador mecánico externo Monitoreo de cargas múltiples con un solo medidor Salidas de impulsos aislados compatibles con AMR  
Indicador de fase inversa para detección de errores en la instalación del medidor  
Garantía de 5 años

### 1.3 Normas y Certificaciones

#### Seguridad:

cRUus – Componente Reconocido  
UL 916 4a Edición - Equipo de Manejo de Energía  
CAN/CSA C22.2 No. 61010-1 3a Edición - Seguridad para Medición Eléctrica, Control y Uso de Laboratorio.  
UL E#: E124377

Categoría UL, FTRZ – Equipo de Monitoreo para Consumo de Energía.

Esquema CB, IEC 61010-1:2010, 3a Edición

**Emisiones de CEM (Compatibilidad Electromagnética):**  
FCC Part 15, Class B

EN/IEC 61326-1 Edt. 2:2013

EN/IEC 55011:2009+A1:2010 / CISPR 22:2010, Class B

EN/IEC 61000-3-2:2006+A2:2009, Class A - Harmonics

EN/IEC 61000-3-3:2008, Class A - Flicker

#### Other:

Cumple con los requisitos de precisión estipulados en ANSI C12.20

#### Inmunidad de CEM:

EN/IEC 61326-1a Edición 2: 2013 EN/IEC 61000-4-2: 2008, 8/15kV, Contacto/Aire - ESD

EN/IEC 61000-4-3: 2006+A2: 2010 - Inmunidad de RF

EN/IEC 61000-4-4: 2004+A1: 2010 - Ráfaga Transitoria

EN/IEC 61000-4-5:2005, 2/4kV, L a L, L a G - Sobrecarga

EN/IEC 61000-4-6:2008, 3V/m rms - RF Inmunidad Cond.

EN/IEC 61000-4-8:2009, 30A/m -

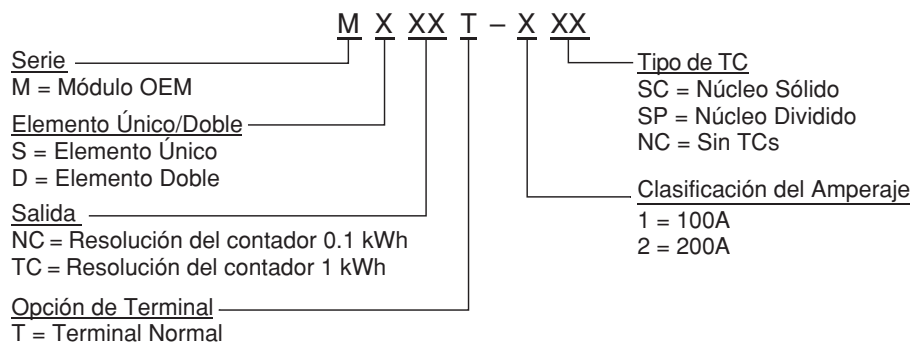
Inmunidad Magnética

EN/IEC 61000-4-11:2004 -

Caídas e Interrupciones de Voltaje

## 2 ESPECIFICACIONES TÉCNICAS

### 2.1 Claves del Número de Parte del Medidor Mini



## 2 ESPECIFICACIÓN ELÉCTRICA

	60 Hz	50 Hz
Configuraciones de Entrada Nota: El Neutro debe estar conectado para todas las configuraciones	1PH2W 120 VCA 1PH3W 120/240 VCA (Fase Dividida) 2PH3W 120/208 VCA	1PH2W 240 VCA
Rango de Tensión de Alimentación <sup>1</sup> (Línea a Neutro)	108 – 132 VCA	216 – 264 VCA
Potencia de Entrada Máxima	5 VA Máximo	16 VA Máximo
Frecuencia de la Línea	60 Hz	50 Hz
Corriente Nominal Máxima (100A/ 200A metros)	Primaria: Corriente Nominal Máxima +10% Secundaria: 110mA (0.11A)	
Rango del Factor de Potencia	0.5 desfasado a 1.0 0.866 adelantado a 1.0	
Precisión <sup>2</sup> (desde -20°C hasta 50°C)	Cumple con ANSI C12.20 (clase 0.5%) con TCs de Núcleo Sólido calibrados	
Temperatura Operativa y de Almacenamiento del Medidor	-30 to 70 °C	
Salidas Aisladas <sup>3</sup>	10Wh/impulso, 100Wh/impulso, 1kWh/impulso, referencia a terminal común aislada (ISOL COM), salidas del colector abiertas.	
Salida del Contador Mecánico <sup>3</sup>	Contador mecánico de 12V DC, 10 mA Max (no aislado, para precableado únicamente).	
Salida de 12 VCD	12 VCD @ 10 mA Max (no aislado, para precableado únicamente).	
Conexiones de la Terminal para el Módulo de OEM del Medidor Mini	El par nominal para estos bloques terminales es de 0.040 kg-m (3.5 lb-in) de par máximo. Debe utilizarse alambre de cobre sólido o trenzado de 14 a 18 AWG.	
Fijo	Conductores de Tensión Precableados de 18 AWG y terminales de tornillo fijo para los Transformadores de Corriente (TCs) y Salidas de Impulsos	

**Tabla 1: Especificaciones Eléctricas del Medidor Mini**

- <sup>1</sup> Clasificado para instalación en ambientes controlados con Nivel de Contaminación 2: Normalmente sólo ocurre contaminación no conductora. Sin embargo, en algunas ocasiones debe esperarse una conductividad temporal causada por la condensación.
- <sup>1b</sup> La alimentación principal no debe presentar fluctuaciones mayores a +/- 10%.
- <sup>2</sup> Precisión basada en transformadores de corriente con núcleo sólido de Leviton con salida máxima de 100 mA. La resistencia a la carga de entrada del medidor debe estar en 3 Ohmios.
- <sup>3</sup> La salida del contador de +12 VCD suministrará 12 VCD, 50 mA, 0.6W máximo antes de desconectar para tomar en consideración el riesgo de incendio de los dispositivos conectados.

### 3 INSTRUCCIONES DE INSTALACIÓN

La siguiente sección contiene las instrucciones de cableado para el Módulo de OEM del Medidor Mini. El Módulo del Medidor Mini debe instalarse en una caja adecuada con certificación UL.

El Medidor Mini debe ser instalado por un electricista con licencia.

En caso de que se requiera asistencia técnica en cualquier punto durante la instalación, la información de contacto se encuentra en la parte final de este manual. Leviton no será responsable por daños al medidor ocasionados por un cableado incorrecto.

#### 3.1 Explicación de Símbolos de Advertencia



Indica la necesidad de consultar el manual de operación debido a la presencia de un riesgo potencial. Siga las prácticas seguras de trabajo eléctrico. Consulte NFPA 70E en los EUA, o los códigos locales correspondientes.



Indica la presencia de riesgos de choque eléctrico. Antes de continuar, desconecte el circuito y consulte el manual de operación.

#### 3.2 Precauciones de Seguridad

### **ADVERTENCIA**

- **ADVERTENCIA: PARA EVITAR FUEGO, DESCARGA ELÉCTRICA O MUERTE,** desconecte toda la electricidad que alimenta al equipo antes de realizar cualquier operación de cableado. Utilice un dispositivo detector de voltaje de clasificación adecuada para confirmar que la energía está apagada.
- El no cumplir con estas advertencias puede dar como resultado lesiones serias o la muerte.
- Para la instalación de medidores eléctricos se requiere trabajar con voltajes que pueden ser peligrosos. Estas instrucciones tienen el propósito de servir como complemento para ayudar a profesionales calificados y capacitados.
- Las instalaciones deben llevarse a cabo de conformidad con los códigos locales y los requisitos del Código Eléctrico Nacional en curso.
- El equipo utilizado de una manera no especificada por este documento perjudica la protección proporcionada por el equipo.

Una persona calificada es aquella que posee capacidades y conocimiento en relación a la construcción y operación de este equipo eléctrico y su instalación, y ha recibido una capacitación sobre seguridad con el fin de reconocer y evitar los riesgos implicados. Leviton no asume responsabilidad alguna por cualquier consecuencia derivada del uso de este material.

### 3 INSTRUCCIONES DE INSTALACIÓN

#### 3.3 Preparación

- Verifique el número de modelo y las especificaciones eléctricas del dispositivo que se está instalando para confirmar que son adecuadas para el servicio eléctrico previsto (vea Sección 2).
- Consulte los códigos locales para cualquier posible permiso o inspección requeridos antes de iniciar los trabajos eléctricos.
- Asegúrese de que todas las herramientas que serán utilizadas durante la instalación tengan clasificaciones adecuadas de aislamiento.
- Este Medidor Mini se deberá utilizar únicamente en un equipo completo o en aplicaciones asociadas del equipo, en las que la combinación esté de acuerdo con las Condiciones de Aceptabilidad determinadas por Underwriters Laboratories.
- El Medidor Mini debe ser instalado en una caja con CERTIFICACIÓN UL.
- El Medidor Mini es adecuado para aplicaciones con sobrecarga Categoría III y debe instalarse únicamente del lado de la carga de protección del circuito de derivación.
- Los pines 1 y 2 y +12Vdc del contador no están aislados de los circuitos de detección del voltaje de alimentación y se consideran voltaje activo peligroso. El usuario no debe tener acceso a estos circuitos después de la instalación final en la caja con CERTIFICACIÓN UL.
- Las Salidas Aisladas, tal como se indica en la etiqueta, están aisladas de la corriente eléctrica y se derivan de los circuitos de voltaje bajo. Estas Salidas Aisladas y los circuitos del TC deben mantener un espacio libre / línea de fuga de 3mm y una fuerza dieléctrica de 3000Vac. La idoneidad de este aislamiento debe verificarse si existe acceso a estos circuitos de salida en la aplicación de uso final.
- Únicamente los TCs que se especifican en este manual y el Transformador de Corriente de Monitoreo de Energía con CERTIFICACIÓN UL2808 (XOBA/7) con unidad secundaria clasificada con 0.1 amp deberán utilizarse con este Medidor Mini.
- Destinado para utilizarse con un dispositivo de Protección contra Sobrecarga del Circuito de Derivación 15 A.
- Deben utilizarse métodos de cableado Clase 1 para los circuitos de medición/entrada de tensión, circuito secundario del TC para detección de corriente, +12Vdc, y conexiones del contador.
- Las salidas aisladas pueden utilizar métodos de cableado Clase 2 si son alimentadas por una fuente Clase 2 por separado y el cableado se enruta mínimo 6mm (1/4 pulg.) de todo el resto del cableado conectado al dispositivo y en la caja de uso final. Si no está separado de esta manera, deben utilizarse los métodos de cableado Clase 1.
- El TC no debe instalarse en equipo que exceda el 75% del espacio de cableado de cualquier área transversal dentro del equipo.
- Los transformadores de corriente no deben instalarse en sitios en los que puedan bloquear cualquier abertura de ventilación dentro del panel principal.
- Asegure el TC y dirija los cables de tal manera que no estén en contacto directo con terminales energizadas, un bus no aislado de voltaje bajo, circuitos de alimentación o conductores de otros circuitos.
- Los conductores asociados del TC y el Medidor Mini deben instalarse dentro de la misma caja integral.
- El equipo de uso final deberá estar marcado con el siguiente texto: "Advertencia – Para reducir el riesgo de descarga eléctrica, abra o desconecta siempre el circuito monitoreado del sistema de distribución de energía (o servicio) del edificio antes de instalar o dar servicio a los transformadores de detección de corriente".
- Cuando se proporcione cualquier aviso importante en las instrucciones del medidor en lugar de en la documentación del producto final, ésta última debe incluir una referencia a las instrucciones del medidor.
- Las salidas aisladas deben ser alimentadas por un SELV u otro suministro de voltaje bajo que ofrezca un aislamiento doble o reforzado, a menos que las salidas aisladas no se extiendan fuera de la caja integral y no se conecten a circuitos accesibles al usuario.
- Esta unidad del Medidor Minino está destinada para utilizarse como una aplicación de readaptación dentro de los tableros de control y el panel de conmutación. Se requiere una evaluación adicional si se desea utilizar dentro del tablero de control y el panel de conmutación.
- Nivel de Contaminación 2: Normalmente sólo ocurre contaminación no conductora. Sin embargo, en algunas ocasiones debe esperarse una conductividad temporal causada por la condensación.

### 3 INSTRUCCIONES DE INSTALACIÓN

#### 3.4 Lista de Materiales

- Se suministran los cables de conexión de la Línea 1, Línea 2, y Neutros.
- Requisitos del cable de campo: 14 a 18 AWG mínimo, 300 V mínimo aislado. La clasificación de temperatura debe coincidir con el entorno operativo.

#### 3.5 Ubicación del Montaje

Los Medidores Mini requieren un interruptor o disyuntor como parte de la instalación del edificio.

- El interruptor o disyuntor deben estar marcados como el dispositivo de desconexión para el medidor.
- El medidor debe estar montado cerca del dispositivo de desconexión, en un área con ventilación adecuada y sin luz directa del sol para evitar el sobrecalentamiento del medidor. El medidor y los TCs deben mantenerse alejados de los transformadores y el equipo de radio.

La caja del medidor no debe estar colocada en una posición que dificulte la operación del dispositivo de conexión.

- Asegúrese de que las longitudes del cable del TC y del voltaje (y las longitudes del conducto) puedan llegar hasta la caja desde el panel del disyuntor.
- Si no se puede encontrar una ubicación de montaje adecuada cerca del panel, pueden requerirse fusibles adicionales en línea o un disyuntor de conformidad con NEC o los reglamentos locales.

#### 3.6 Dimensiones Físicas

La Figura 1 muestra las dimensiones de la caja y la cubierta del Módulo de OEM de un solo Medidor Mini.

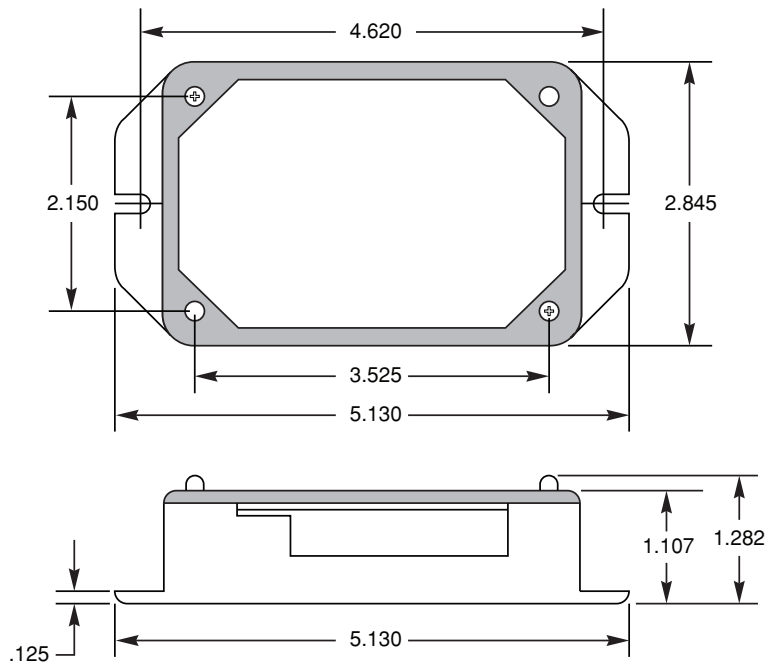


Figura 1 – Dimensiones del Medidor Mini, en pulgadas

WEB VERSION

### 3 INSTRUCCIONES DE INSTALACIÓN

#### 3.7 Variaciones del Transformador de Corriente

- Transformadores de Corriente de núcleo sólido de Leviton (Figura 2, fotografía izquierda): De acuerdo a la etiqueta del TC, el lado de la LÍNEA del TC debe quedar frente a la Línea entrante. El conductor blanco se conecta a la terminal X2 adecuada. El conductor negro o de color se conecta a la terminal X1 adecuada. Los TCs están codificados por color (negro/blanco y rojo/blanco ó negro/negro y negro/gris) para ayudar a mantener la sincronización correcta.



Figura 2 – Transformadores de Corriente de Núcleo Sólido y Núcleo Dividido de Leviton

- Transformadores de Corriente de núcleo dividido de Leviton (Figura 2, fotografía derecha): El lado con las etiquetas blancas (de frente en la fotografía) debe quedar frente a la LÍNEA entrante. El cable blanco se conecta a la terminal X2, el cable de color se conecta a la terminal X1.

WEB VERSION



### 3 INSTRUCCIONES DE INSTALACIÓN

#### 3.8 Conexiones Eléctricas

##### 3.8.1 Descripción General de Conexiones Eléctricas

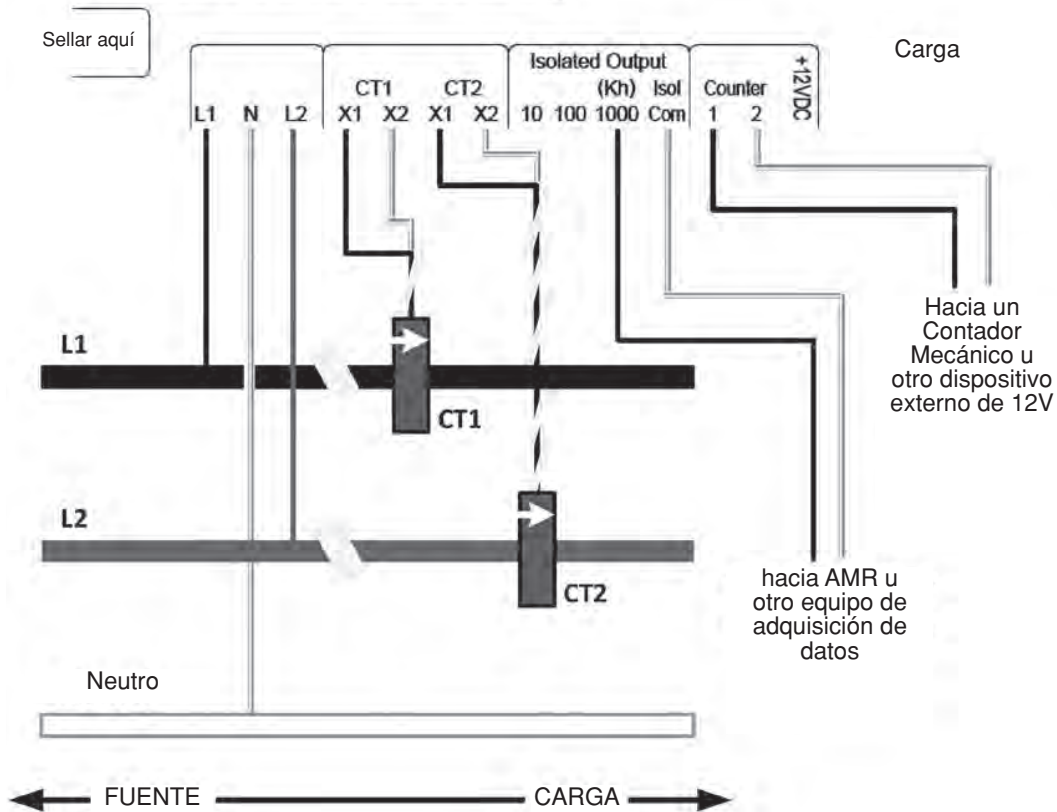


Figura 3 – Conexiones del Medidor Mini

### 3 INSTRUCCIONES DE INSTALACIÓN

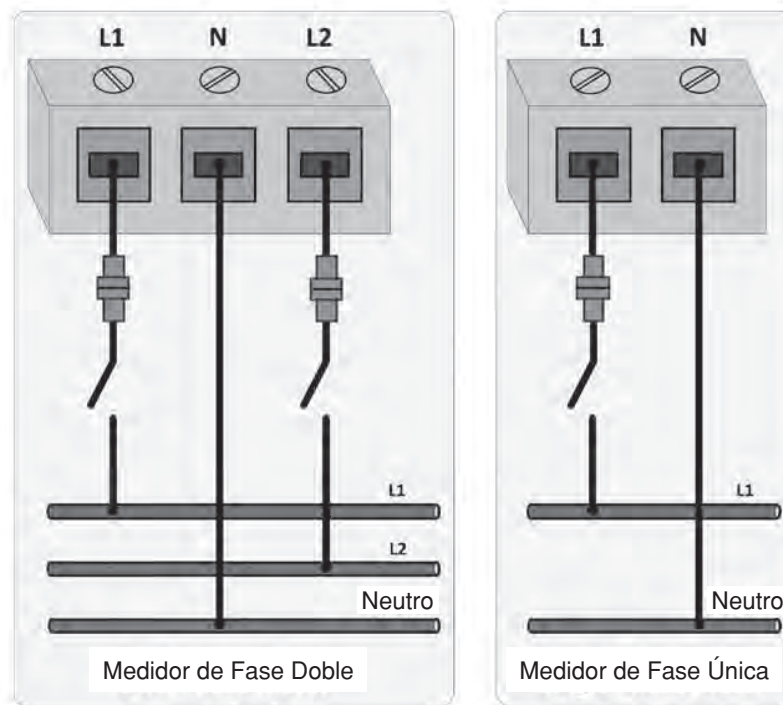
#### 3.8.2 Instalación de Cables de Entrada de Voltaje



1. Dependiendo del circuito de derivación, los códigos eléctricos locales pueden requerir fusibles en línea.
2. Conecte el cableado para los voltajes de Línea y Neutro en las ubicaciones adecuadas en el panel del disyuntor de acuerdo con todos los códigos eléctricos nacionales y locales, vea la Figura 4 para el diagrama de cableado. La Tabla 2 lista las entradas de voltaje.
3. La fuente de alimentación del medidor debe ser la misma que la fuente de alimentación de la carga que está midiendo el medidor.
4. Recorte el cable a la longitud adecuada para evitar rollos de cableado excedentes.
5. Pele el cable a 7.62 mm (0.3 pulgadas) si es necesario y conecte a las terminales adecuadas.

Entradas de Voltaje	Descripción
L1	Entrada de Voltaje, Línea 1 Cable Negro (Requerido)
L2	Entrada de Voltaje, Línea 2 Cable Rojo
N	Entrada Neutra, Cable Blanco (Requerido)

Tabla 2 – Conexiones de Voltaje



Nota: Se recomiendan fusibles en la línea

Figura 4 – Diagrama de Cableado del Voltaje

### 3 INSTRUCCIONES DE INSTALACIÓN

#### 3.8.3 Instalación de Transformadores de Corriente

Requisitos Generales:

- Si se enrutan los cables secundarios del TC a través del conducto, los empalmes en los conductores del TC deben estar dentro de la caja del medidor, no dentro del conducto. Los cables conductores del TC suministrados por Leviton tienen 121.92 cm (48 pulgadas) de longitud, 18 AWG.
- Se permite enrutar los cables de entrada de voltaje y los cables secundarios del TC a través del mismo conducto siempre y cuando todo el cableado en el conducto cumpla con los requisitos del Código Eléctrico Nacional (al menos 18 AWG). Los TCs deben fijarse de manera segura de tal manera que no se deslicen hacia abajo a las terminales energizadas.
- Las entradas de corriente y de voltaje deben instalarse “en fase” para obtener lecturas correctas. Tal como se muestra en la Figura 6, el TC1 necesita monitorizar la misma fase que el voltaje conectado al medidor en L1, y el TC2 necesita monitorizar la misma fase que el voltaje conectado al medidor en L2. Los TCs deben estar conectados entre la línea y la carga, no en los cables de voltaje que conducen al medidor.
- Asegúrese de instalar los TCs con la orientación (dirección) correcta. Si el medidor muestra un error de Energía Inversa después de la instalación (vea Tabla 7), es probable que usted ha instalado un TC al revés o ha invertido las conexiones X1 y X2 de la terminal.
  1. Pele el cable a 7.62mm (0.3 pulgadas).
  2. Recorte el cable a la longitud adecuada para evitar rollos de cableado excedentes.
  3. Conecte los conductores del TC a las terminales adecuadas, vea los diagramas de cableado (Figura 6) para las orientaciones y conexiones correctas del TC. En la Tabla 3 se proporciona una lista de las conexiones del TC.
  4. Para los TCs de Núcleo Dividido:
    - a. Retire los tornillos de mariposa en el lado inferior del TC tal como se muestra en la Figura 5 (izquierda) y separe un lado del TC para abrirlo tal como se muestra en la Figura 5 (derecha).
    - b. Desconecte la energía a los conductores y coloque el TC alrededor del conductor adecuado asegurándose de que las etiquetas blancas (el lado de frente en la figura) queden frente a la Línea (fuente).
    - c. Observe la marca blanca en la sección retirada del TC y asegúrese de alinearla con la marca blanca en la caja del TC. (La marca blanca es visible en la esquina inferior del TC en la Figura 5.) Cierre el TC deslizando la sección retirada de regreso a su lugar y vuelva a colocar los tornillos de mariposa. Para mayor precisión, es muy importante asegurarse de que las marcas blancas estén alineadas y el TC esté completamente cerrado con los tornillos instalados.
    - d. Conecte los cables del TC a las entradas del medidor tal como se describe en la Tabla 3.
    - e. Repita para el conductor restante para aplicaciones de dos fases, tal como se muestra en la Figura 6.

**Figura 5 – TC de Núcleo Dividido,  
Cerrado (izquierda)  
y Abierto (derecha)**



5. Para TCs de Núcleo Sólido: Con la energía apagada, desconecte cada conductor monitorizado uno a la vez y deslice el TC adecuado, asegurándose de que el TC esté orientado correctamente tal como se muestra en la Figura 6. Vuelva a conectar los conductores. Conecte los cables del TC a las entradas del medidor tal como se describe en la Tabla 3.

### 3 INSTRUCCIONES DE INSTALACIÓN

Entradas del TC	
TC1 : X1	Transformador de Corriente 1, entrada X1. Cable de color de TC1
TC1 : X2	Transformador de Corriente 1, entrada X2. Cable blanco de TC1
TC2 : X1	Transformador de Corriente 2, entrada X1. Cable de color de TC2
TC2 : X2	Transformador de Corriente 2, entrada X2. Cable blanco de TC2

Tabla 3 – Conexiones del Transformador de Corriente

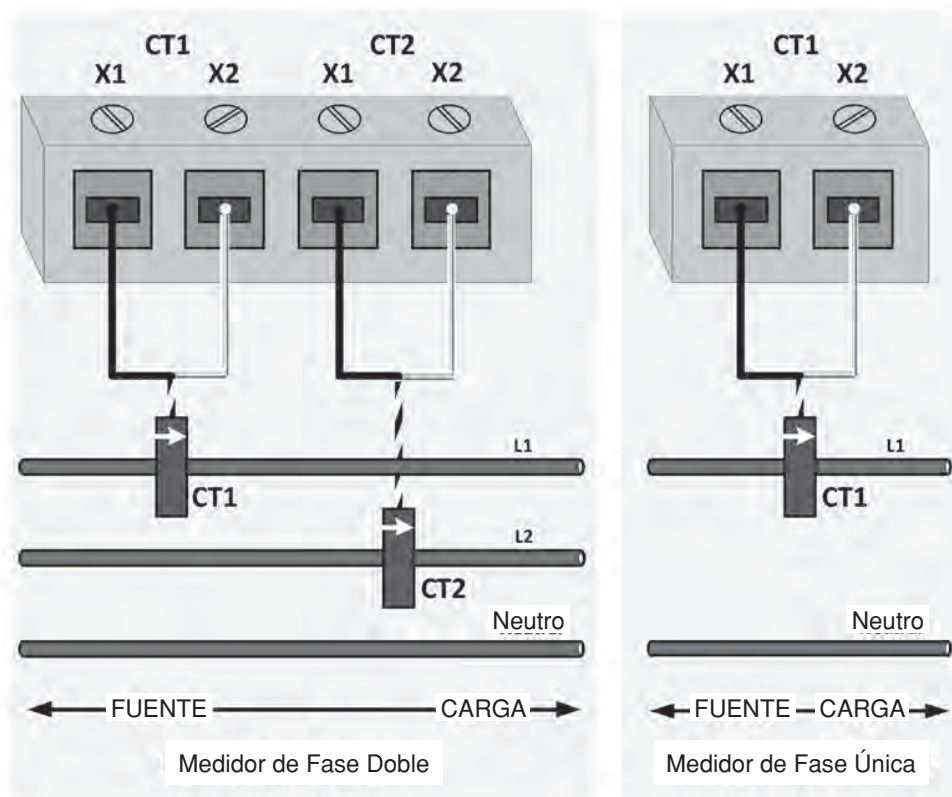


Figura 6 – Diagrama de Cableado del TC

WEB VERSION

### 3 INSTRUCCIONES DE INSTALACIÓN

#### 3.9 Conexiones de Salida

Las salidas del contador y de impulsos del medidor reportan la energía real total consumida. Para los medidores de elemento doble, éste es un total combinado para la Línea 1 y la Línea 2.

La salida aislada de 10 Wh se utiliza por lo general para la verificación y calibración del medidor. Las salidas aisladas de 100 Wh y 1000 Wh están destinadas para los sistemas con lectura automática del medidor (AMR). Existen dos terminales para la conexión del contador mecánico. No hay polaridad asociada con las terminales.  $V_{CE}$   
Las conexiones de salida se listan en la Tabla 4.

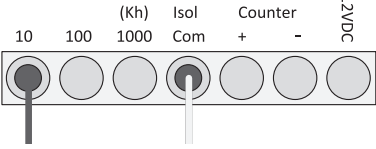
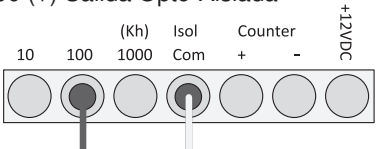
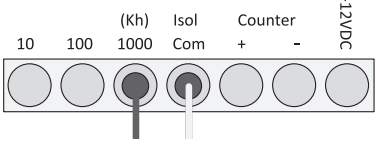
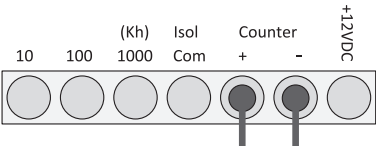
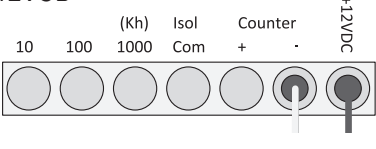
<p>10 (+) Salida Opto-Aislada</p> 	<p>Salida de impulsos del consumo de Energía Real Total (kWh) (energía entregada), más (+) conexión (conectar a entrada de señal). Frecuencia de impulso de 10Wh (5 vatios-hora encendido, 5 vatios-hora apagado). <math>V_{CE} = 40VDC</math>; ICE 50mA máximo.</p>
<p>100 (+) Salida Opto-Aislada</p> 	<p>Salida de impulsos del consumo de Energía Real Total (kWh) (energía entregada), más (+) conexión (conectar a entrada de señal). Frecuencia de impulso de 100Wh (50 vatios-hora encendido, 50 vatios-hora apagado). <math>V_{CE} = 40VDC</math>; ICE 50mA máximo.</p>
<p>1000 (+) Salida Opto-Aislada</p> 	<p>Salida de impulsos del consumo de Energía Real Total (kWh) (energía entregada), más (+) conexión (conectar a entrada de señal). Frecuencia de impulso de 1kWh (500 vatios-hora encendido, 500 vatios-hora apagado). <math>V_{CE} = 40VDC</math>; ICE 50mA máximo.</p>
<p> AISLADO COM (-)</p>	<p>Conexión común (-) para Salidas de Impulsos Aisladas de 10Wh, 100Wh y 1000Wh. Vea conexión en diagramas arriba.</p>
<p>CONTADOR (+ y -)</p> <p>1 conteo = 100 Wh para modelos de 0.1kWh 1 conteo = 1000 Wh para modelos de 1kWh</p> 	<p>Para contador electromecánico de 12 VDC (no aislada). No hay polaridad asociada con los dos cables del contador – cualquiera de los cables puede conectarse a la salida + (impulso).</p>
<p>+12VCD</p> 	<p>Salida 12 VCD @ 10mA (no aislada) para aplicaciones especializadas como por ejemplo un transmisor accionado por la línea. Se utiliza con el CONTADOR (-).</p>

Tabla 4 – Conexiones de Salida Impulsos Aislada

WEB VERSION

### 3 INSTRUCCIONES DE INSTALACIÓN

#### 3.10 Prueba de la Instalación

##### Verificación del Voltaje:

Los caracteres siempre aparecen en la pantalla LCD cuando el medidor tiene alimentación adecuada en L1 y neutro (Vea Sección 4.1 para la descripción de pantallas LCD).

##### Verificación de la Energía:

Antes de revisar la dirección de la energía, asegúrese de que exista una carga que consuma un mínimo de 1A conectada al medidor.

La LCD tiene un indicador de flujo de energía en la sección inferior izquierda de la pantalla. El indicador de flujo de energía apunta a la derecha cuando el medidor mide energía positiva (normal) y apunta a la izquierda cuando el medidor mide energía negativa. Si no aparece la flecha, apunta a la izquierda o aparece sin puntero en cualquier dirección, significa que existe un problema en la instalación. Consulte la Sección 6 para las instrucciones sobre detección y corrección de fallas.

##### Verificación de la Carga:

El LED de carga tiene una frecuencia de impulso de 10Wh (5 vatios-hora encendido, 5 vatios-hora apagado). El ciclo de trabajo debe ser del 50% cuando el medidor está conectado adecuadamente y se aplica una carga constante. La Figura 7 muestra la apariencia de la LCD cuando el medidor está instalado adecuadamente.

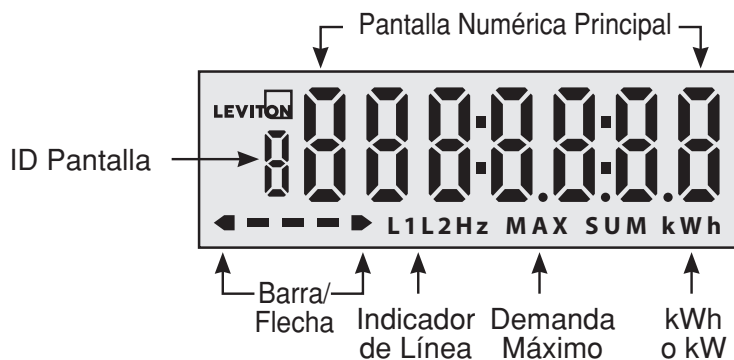


Figura 7 – Apariencia de la LCD en Operación Adecuada (Ejemplo)

### 4 CARACTERÍSTICAS GENERALES DE LA MEDICIÓN Y FUNCIONALIDAD

#### 4.1 Pantalla del Medidor Mini

La LCD del Medidor Mini se muestra en la figura.



La Tabla 5 muestra las pantallas LCD en secuencia durante el encendido y la operación normal. Las pantallas de inicio aparecen sólo una vez en el encendido. A partir de ese momento, el medidor realiza ciclos en forma repetida a través de las pantallas de ejecución tal como se describe en la Tabla 6. Para los medidores de elemento doble, la energía, la demanda y la potencia aparecen en las pantallas de ejecución como valores combinados para la Línea 1 y la Línea 2.

#### 4 CARACTERÍSTICAS GENERALES DE LA MEDICIÓN Y FUNCIONALIDAD

Pantallas de Inicio	
ID de la Pantalla	Descripción
d	Código de la fecha de fabricación: seis dígitos en el formato AAMMDD.
E	Opción de elemento único/doble: la pantalla muestra "1 ELt" para la opción de elemento único ó "2 ELt" para la opción de elemento doble.
o	Opción de resolución de salida del contador mecánico: la pantalla muestra "cnt 0.1" para la opción de 0.1 kWh ó "cnt 1.0" para la opción de 1 kWh.
C	Grado de amperaje del TC: la pantalla muestra "100:0.1" para el TC de 100A ó "200:0.1" para el TC de 200A.
S	Número de serie, primera parte: la pantalla muestra los primeros seis dígitos del número de serie del medidor.
n	Número de serie, segunda parte: la pantalla muestra los últimos seis dígitos del número de serie del medidor.
r	Código de revisión del software: tres dígitos en el formato N.nn, donde N es la revisión principal y nn es la revisión menor.
8	Pantalla de prueba: todos los segmentos de la LCD son encendidos para su verificación.
Pantallas de Ejecución	
ID de la Pantalla	Descripción
1	Energía real entregada (kWh). Para los totales de kWh menores a 100,000, la pantalla muestra dos lugares decimales (por ejemplo, 123456.78). Entre 100,000 y 999,999 kWh, la pantalla muestra un lugar decimal (por ejemplo, 987654.3). En 1,000,000 kWh, la pantalla da vuelta y empieza a contar de nuevo en 0.00 kWh.
2	Demanda máxima (kW). Vea la Sección 0 para más detalles.
3	Potencia instantánea (kW). Esta pantalla aparece únicamente durante las primeras 24 horas después del encendido y cuando el medidor se encuentre en una condición de error para ayudar a verificar la instalación correcta del medidor.
4	Código de error. Esta pantalla aparece únicamente cuando existe una condición de error (vea Tabla 7).

Tabla 5 – Pantallas LCD y Secuencias

Estado del Medidor	Ciclo de Visualización de Pantalla de Ejecución
NORMAL, primeras 24 horas después del encendido	1, 2, 3, repetir
NORMAL, después de las primeras 24 horas	1, 2, repetir
ERROR, en cualquier momento	1, 4, 2, 4, 3, 4, repetir

Tabla 6 – Ciclo de Visualización de Pantalla de Ejecución LCD

## 4 CARACTERÍSTICAS GENERALES DE LA MEDICIÓN Y FUNCIONALIDAD

### 4.1.1 Cálculo de la Demanda Máxima

La demanda máxima (kW) reporta la potencia máxima consumida durante un período de 24 horas y se calcula utilizando un intervalo de la “ventana móvil” de 15 minutos dividido en tres subintervalos de 5 minutos, de la siguiente manera:

- Para los medidores de elemento doble, las mediciones de potencia son valores combinados para la Línea 1 y la Línea 2.
- Las mediciones de la potencia se suman durante el subintervalo de 5 minutos y se promedian al final del subintervalo.
- Al final de cada subintervalo, se promedia la demanda de los tres subintervalos más recientes para dar un nuevo valor de demanda del intervalo.
- Después de cada período de 24 horas, se guarda el valor de demanda mayor del intervalo para el período.
- Durante las primeras 24 horas después de haber encendido el medidor, la pantalla de demanda máxima muestra el valor de demanda mayor del intervalo calculado desde el inicio.
- Después de las primeras 24 horas de operación, la demanda máxima reportada se actualiza únicamente una vez cada 24 horas y muestra la demanda mayor del intervalo para el período previo de 24 horas.

Observe que los períodos de demanda máxima de 24 horas se basan en el tiempo de ejecución del medidor desde el encendido, no en un reloj de tiempo real.

### 4.1.2 Utilización de la Pantalla para Determinar el Estado del Medidor

La Tabla 7 explica cómo se indican los errores en la LCD. La tabla lista las condiciones de error en orden de prioridad (prioridad más alta primero). Si existe más de una condición de error, la pantalla de error de la LCD muestra únicamente el error con prioridad más alta.

Para errores de instalación, si existe la misma condición de error en ambas líneas, la pantalla de error de la LCD reporta el error únicamente para la línea 1, sin embargo los símbolos tanto de L1 como de L2 parpadean.

WEB VERSION



#### 4 CARACTERÍSTICAS GENERALES DE LA MEDICIÓN Y FUNCIONALIDAD

Categoría de Error	Estado del Medidor	Mensaje de Error LCD	Barra/Flecha	Símbolos L1/L2	Determinación de la Condición de Error
Ninguno	NORMAL	Ninguno	Flecha animada apuntando a la derecha	Ambos apagados	Ninguna condición de error o advertencia.
Advertencia	Corriente Baja	Ninguno	Indicadores de barra y flecha apagados	Parpadeando (uno o ambos)	Potencia mayor o equivalente a -15W pero menor a +15W.
Instalación	Energía Inversa	Err rC1 ó Err rC2	Flecha apuntando a la izquierda (sin parpadeo)	Parpadeando (uno o ambos)	Potencia menor a -15W.
Instalación	Factor de Potencia Deficiente	Err PF1 ó Err PF2	Barra sólida (sin parpadeo), ninguna flecha en cualquier lado	Parpadeando (uno o ambos)	Revisar sólo cuando la corriente es mayor que el nivel de la corriente inicial. Error cuando el ángulo de fase es mayor a 80° y menor a 90°.
Instalación	Voltaje Bajo	Err LU1 ó Err LU2	Barra sólida (sin parpadeo), ninguna flecha en cualquier lado	Parpadeando (uno o ambos)	Voltaje inferior a 102V.
Instalación	Sobretensión	Err HU1 ó Err HU2	Barra sólida (sin parpadeo), ninguna flecha en cualquier lado	Parpadeando (uno o ambos)	Voltaje superior a 138V.
Instalación	Sobrecarga	Err HC1 ó Err HC2	Barra sólida (sin parpadeo), ninguna flecha en cualquier lado	Parpadeando (uno o ambos)	Corriente superior a 110A si está configurado para TC de 100A ó 220A si está configurado para TC de 200A.
Falla	Servicio de Fábrica Requerido	FAIL 01 FAIL 02 ... FAIL 05	Barra sólida (sin parpadeo), ninguna flecha en cualquier lado	Ambos apagados	Error de operación detectado.

**Tabla 7 – Indicaciones de la LCD**

Cuando se encuentre en una condición de falla, además de desplegar el código "FAIL" ("FALLA") en la pantalla de error, la ID de la pantalla (dígito en la extrema izquierda) parpadea en cada pantalla, alternando entre la ID de la pantalla y la letra "F".

Para un medidor de elemento único, no se reportan errores en la línea 2.

Si el medidor reporta un error de instalación, consulte la Sección 6 para la detección y corrección de fallas. Si el medidor reporta una condición de falla, contacte a soporte técnico de Leviton.

## 4 GENERAL METERING FEATURES AND FUNCTIONALITY



Pantalla de inicio de Amperaje del TC, sin condiciones de error



Pantalla 1: Energía Real, sin condiciones de error



Pantalla de error que muestra un código de falla, servicio de fábrica requerido



Pantalla de error que muestra un error de instalación de corriente inversa en la Línea 1



Pantalla de error que muestra un error de instalación del factor de potencia en la Línea 2



Pantalla de error que muestra un error de instalación de voltaje bajo en las Líneas 1 y 2

Figura 9 – Ejemplo de Pantallas LCD

### 4.2 LED de Carga

El LED de carga tiene una frecuencia de impulso de 10Wh (5 vatios-hora encendido, 5 vatios-hora apagado) y reporta la energía consumida. Para medidores de elemento doble, éste es un valor combinado para la Línea 1 y la Línea 2.


## 5 MANTENIMIENTO

Los medidores instalados de manera apropiada con conexiones adecuadas no deben requerir mantenimiento del usuario. En caso de que el medidor no está funcionando bien, consulte por favor la Guía de Detección y Corrección de Fallas en la Sección 6. Si no encuentra la respuesta ahí, contacte a soporte técnico de Leviton.

WEB VERSION

## 6 DETECCIÓN Y CORRECCIÓN DE FALLAS / PREGUNTAS FRECUENTES

Si el medidor no está funcionando adecuadamente, revise por favor las siguientes partidas primero:

Tiene potencia el medidor?	
Cómo determinarlo:	Si la pantalla está completamente en blanco, el medidor no tiene alimentación.
Qué hacer:	 <ul style="list-style-type: none"><li>• Revise para asegurarse de que todas las conexiones estén cableadas tal como se describe en la Sección 3.8.</li><li>• Pruebe el voltaje que se está suministrando al medidor utilizando un voltímetro de CA.</li><li>• Con la energía apagada, sustituya cualquier fusible de la línea por fusibles que sepa que funcionan bien y realice una prueba con un ohmímetro.</li></ul>

Existe una condición de error?	
Cómo determinarlo:	Consulte la Tabla 7.
Qué hacer:	Utilice la Tabla 7 para identificar el error, después resuelva el problema utilizando las sugerencias indicadas en detección y corrección de fallas en la Tabla 8.

Ahora busque una solución en la Guía de Detección y Corrección de Fallas (Tabla 8 – siguiente página).

WEB VERSION

## 6 DETECCIÓN Y CORRECCIÓN DE FALLAS / PREGUNTAS FRECUENTES






Problema	Qué Hacer
El medidor reporta un error de instalación de Energía Inversa o Factor de Potencia Deficiente	 <ul style="list-style-type: none"> <li>• Verifique la orientación y el cableado del TC (vea la Sección 3.8.3).</li> <li>• Revise para asegurarse de que cada TC esté instalado en la fase correcta. Consulte el diagrama de cableado del TC (Figura 6). <ul style="list-style-type: none"> <li>- El TC conectado a las terminales X1/X2 TC1 necesita monitorizar la misma fase que el voltaje conectado al medidor en L1.</li> <li>- El TC conectado a las terminales X1/X2 TC2 necesita monitorizar la misma fase que el voltaje conectado al medidor en L2.</li> </ul> </li> </ul>
El medidor reporta un error de instalación de Voltaje Bajo o Sobretensión	 <ul style="list-style-type: none"> <li>• Revise para asegurarse de que todas las conexiones del voltaje están cableadas tal como se describe en la Sección 3.8.2.</li> <li>• Pruebe el voltaje que se está suministrando al medidor utilizando un voltímetro de CA.</li> <li>• Con la energía apagada, sustituya cualquier fusible de la línea por fusibles que sepa que funcionan bien y realice una prueba con un ohmímetro.</li> </ul>
El medidor reporta un error de instalación de Sobrecarga	Si ha instalado el medidor en un panel, asegúrese de que la clasificación de la corriente para el panel no exceda la clasificación de la corriente mostrada en la etiqueta del medidor (100A ó 200A).
El medidor indica una condición de advertencia de Corriente Baja (únicamente en los modelos con pantalla)	 <ul style="list-style-type: none"> <li>• Asegúrese de que las conexiones de corriente y voltaje están en fase (vea Figura 6).</li> <li>• Utilice una pinza de corriente para verificar el flujo de la corriente.</li> <li>• Trate de aumentar la carga arriba de 1 Amp para ver si se resuelve la condición de error.</li> </ul>
El medidor reporta una condición de falla de Servicio Requerido	Contacte al soporte técnico de Leviton.
El medidor no reporta ningún error pero el consumo registrado parece ser demasiado bajo	 <ul style="list-style-type: none"> <li>• Asegúrese de que las conexiones de corriente y voltaje están en fase (vea Figura 6) y conectadas a la carga destinada.</li> </ul>
El medidor no reporta ningún error pero el LED de Carga no está parpadeando	 <ul style="list-style-type: none"> <li>• Verifique la orientación y el cableado del TC (vea la Sección 3.8.3).</li> <li>• Utilizando una pinza de corriente, asegúrese de que haya suficiente corriente (al menos 1Amp). Con una carga ligera, puede tomar de 5 a 10 minutos para que el LED parpadee en encendido y apagado.</li> <li>• Trate de aumentar la carga al menos a 10 Amps para que el LED parpadee más rápido que una vez por minuto.</li> </ul>
La pantalla del medidor está encendida, pero no realiza el ciclo a través de las pantallas	Realice el ciclo de encendido del medidor. Si el problema persiste, contacte a soporte técnico de Leviton.

Tabla 8 – Guía de Detección y Corrección de Fallas

WEB VERSION

## 7 WARRANTY / GARANTIE / GARANTÍA

### LIMITED 5 YEAR WARRANTY AND EXCLUSIONS

Leviton warrants to the original consumer purchaser and not for the benefit of anyone else that this product at the time of its sale by Leviton is free of defects in materials and workmanship under normal and proper use for five years from the purchase date. Leviton's only obligation is to correct such defects by repair or replacement, at its option. **For details visit [www.leviton.com](http://www.leviton.com) or call 1-800-824-3005.** This warranty excludes and there is disclaimed liability for labor for removal of this product or reinstallation. This warranty is void if this product is installed improperly or in an improper environment, overloaded, misused, opened, abused, or altered in any manner, or is not used under normal operating conditions or not in accordance with any labels or instructions. **There are no other or implied warranties of any kind, including merchantability and fitness for a particular purpose,** but if any implied warranty is required by the applicable jurisdiction, the duration of any such implied warranty, including merchantability and fitness for a particular purpose, is limited to five years. **Leviton is not liable for incidental, indirect, special, or consequential damages, including without limitation, damage to, or loss of use of, any equipment, lost sales or profits or delay or failure to perform this warranty obligation.** The remedies provided herein are the exclusive remedies under this warranty, whether based on contract, tort or otherwise.

For Technical Assistance Call: 1-800-824-3005 - [www.leviton.com](http://www.leviton.com)

### FOR CANADA ONLY

For warranty information and/or product returns, residents of Canada should contact Leviton in writing at **Leviton Manufacturing of Canada Ltd to the attention of the Quality Assurance Department, 165 Hymus Blvd, Pointe-Claire (Quebec), Canada H9R 1E9** or by telephone at **1 800 405-5320.**

### GARANTIE LIMITÉE DE 5 ANS ET EXCLUSIONS

Leviton garantit au premier acheteur, et uniquement au crédit du dit acheteur, que ce produit ne présente ni défauts de fabrication ni défauts de matériaux au moment de sa vente par Leviton, et n'en présentera pas tant qu'il est utilisé de façon normale et adéquate, pendant une période de 5 ans suivant la date d'achat. La seule obligation de Leviton sera de corriger les dits défauts en réparant ou en remplaçant le produit défectueux si ce dernier est retourné port payé, accompagné d'une preuve de la date d'achat, avant la fin de la dite période de 5 ans, à la **Manufacture Leviton du Canada Limitée, au soin du service de l'Assurance Qualité, 165 boul. Hymus, Pointe-Claire, (Québec), Canada H9R 1E9.** Par cette garantie, Leviton exclut et décline toute responsabilité envers les frais de main d'œuvre encourus pour retirer et réinstaller le produit. Cette garantie sera nulle et non avenue si le produit est installé incorrectement ou dans un environnement inadéquat, s'il a été surchargé, incorrectement utilisé, ouvert, employé de façon abusive ou modifié de quelle que manière que ce soit, ou s'il n'a été utilisé ni dans des conditions normales ni conformément aux directives ou étiquettes qui l'accompagnent. **Aucune autre garantie, explicite ou implicite, y compris celle de qualité marchande et de conformité au besoin, n'est donnée,** mais si une garantie implicite est requise en vertu de lois applicables, la dite garantie implicite, y compris la garantie de qualité marchande et de conformité au besoin, est limitée à une durée de 5 ans. **Leviton décline toute responsabilité envers les dommages indirects, particuliers ou consécutifs, incluant, sans restriction, la perte d'usage d'équipement, la perte de ventes ou les manques à gagner, et tout dommage-intérêt découlant du délai ou du défaut de l'exécution des obligations de cette garantie.** Seuls les recours stipulés dans les présentes, qu'ils soient d'ordre contractuel, délictuel ou autre, sont offerts en vertu de cette garantie.

Pour toute aide technique, composer le : 1 800 405-5320 (Canada seulement) [www.leviton.com](http://www.leviton.com)

### GARANTIA LIMITADA POR CINCO AÑOS Y EXCLUSIONES

Leviton garantiza al consumidor original de sus productos y no para beneficio de nadie más que este producto en el momento de su venta por Leviton está libre de defectos en materiales o fabricación por un período de cinco años desde la fecha de la compra original. La única obligación de Leviton es corregir tales defectos ya sea con reparación o reemplazo, como opción. **Para detalles visite [www.leviton.com](http://www.leviton.com) o llame al 1-800-824-3005.** Esta garantía excluye y renuncia toda responsabilidad de mano de obra por remover o reinstalar este producto. Esta garantía es inválida si este producto es instalado inapropiadamente o en un ambiente inadecuado, sobrecargado, mal usado, abierto, abusado o alterado en cualquier manera o no es usado bajo condiciones de operación normal, o no conforme con las etiquetas o instrucciones. **No hay otras garantías implícitas de cualquier otro tipo, incluyendo mercadotecnia y propiedad para un propósito en particular** pero si alguna garantía implícita se requiere por la jurisdicción pertinente, la duración de cualquiera garantía implícita, incluyendo mercadotecnia y propiedad para un propósito en particular, es limitada a cinco años. **Leviton no es responsable por daños incidentales, indirectos, especiales o consecuentes, incluyendo sin limitación, daños a, o pérdida de uso de, cualquier equipo, pérdida de ventas o ganancias o retraso o falla para llevar a cabo la obligación de esta garantía.** Los remedios provistos aquí son remedios exclusivos para esta garantía, ya sea basado en contrato, agravio o de otra manera.

Para Asistencia Técnica llame al: 1-800-824-3005 (Sólo en EE.UU.) [www.leviton.com](http://www.leviton.com)

### SÓLO PARA MÉXICO

**POLIZA DE GARANTÍA:** LEVITON S. de R.L. de C. V., LAGO TANA NO. 43 COL. HUICHAPAN, DEL. M. HIDALGO MÉXICO D. F., MÉXICO. CP 11290 Tel (55) 5082-1040. Garantiza este producto por el término de un año en todas sus partes y mano de obra contra cualquier defecto de fabricación y funcionamiento a partir de la fecha de entrega o instalación del producto bajo las siguientes **CONDICIONES:**

- Para hacer efectiva esta garantía, no podrán exigirse mayores requisitos que la presentación de esta póliza junto con el producto en el lugar donde fue adquirido en cualquiera de los centros de servicio que se indican a continuación.
- La empresa se compromete a reemplazar o cambiar el producto defectuoso sin ningún cargo para el consumidor, los gastos de transportación que se deriven de su cumplimiento serán cubiertos por: LEVITON, S. de R.L. de C.V.
- El tiempo de reemplazo en ningún caso será mayor a 30 días contados a partir de la recepción del producto en cualquiera de los sitios en donde pueda hacerse efectiva la garantía.
- Cuando se requiera hacer efectiva la garantía mediante el reemplazo del producto, esto se podrá llevar a cabo en: LEVITON, S. de R.L. de C.V.
- Esta garantía no es válida en los siguientes casos: A) Cuando el producto ha sido utilizado en condiciones distintas a las normales. B) Cuando el producto no ha sido operado de acuerdo con el instructivo de uso en idioma español proporcionado. C) Cuando el producto ha sido alterado o reparado por personas no autorizadas por LEVITON, S. de R.L. de C.V.
- El consumidor podrá solicitar que se haga efectiva la garantía ante la propia casa comercial donde adquirió el producto.
- En caso de que la presente garantía se extraviara el consumidor puede recurrir a su proveedor para que se le expida otra póliza de garantía previa presentación de la nota de compra o factura respectiva.

<b>DATOS DEL USUARIO</b>	
NOMBRE: _____	DIRECCION: _____
COL: _____	C.P. _____
CIUDAD: _____	
ESTADO: _____	
TELEFONO: _____	
<b>DATOS DE LA TIENDA O VENDEDOR</b>	
RAZON SOCIAL: _____	PRODUCTO: _____
MARCA: _____	MODELO: _____
NO DE SERIE: _____	
NO. DEL DISTRIBUIDOR: _____	
DIRECCION: _____	
COL: _____	C.P. _____
CIUDAD: _____	
ESTADO: _____	
TELEFONO: _____	
FECHA DE VENTA: _____	
FECHA DE ENTREGA O INSTALACION: _____	

© 2017 Leviton Mfg. Co., Inc.



**WEB VERSION**