

GENERAL SERVICE GAUGE

- Dial Sizes: 1½", 2", 2½", 3½" & 4½"
- Superb quality, economical price
- Pressure ranges to 5000 psi

Marsh Instruments General Service Steel Case Gauges are an economical, general purpose gauge for pressure measurement from vacuum/compound through 5,000 psi. Suited for use with water, oil, air, gas, or other non-corrosive media.

Typical applications include FRLs, compressors, pumps, boilers, regulators, dryers as well as commercial and industrial equipment.



SPECIFICATIONS

ACCURACY

ASME Grade B-±3/2/3% (±2% of range across middle half of scale)

CASE SIZES

1½", 2", 2½", 3½", 4½" diameter

CASE MATERIAL

Steel, black painted

CASE STYLE

CB – Center Back Mount

LM – Lower Mount

UC – U-Clamp Mount

See option tables for Front Flange

TUBE & SOCKET

Copper alloy

MOVEMENT

Brass

CONNECTION

½ & ¼ NPT

RANGES

0 to 30" Hg VAC; Compound 30" Hg vac to 400 psi; 15 to 5,000 psi

DIAL STANDARD

Dual scale psi and kPa

DIAL COLOR

Black markings on white

POINTER

Aluminum, black painted

WINDOW

1½", 2", 2½", 3½": acrylic, twist-in Clearlok

4½": flat glass window with steel friction ring

RESTRICTOR

Standard for ranges 1,000 psi and above

WEIGHT

1-1/2" 0.2 lb.

2" 0.3 lb.

2-1/2" 0.4 lb.

3-1/2" 0.5 lb.

4-1/2" 0.75 lb.

STANDARD RANGES & PART NUMBERS

TYPE	GENERAL SERVICE GAUGES							
	1½"				2"			
Size	Steel				Steel			
Case Material	Copper Alloy				Copper Alloy			
Internals	LM	UC	CB	LM	LM	CB	CB	
Mounting / Case Style	½ NPT	½ NPT	½ NPT	½ NPT	¼ NPT	½ NPT	¼ NPT	
Connection	psi/kPa				psi/kPa			
Scale Standard	J0405	J0505	J0605	J1105	J1405	J1805	J2005	
0 to 30" Hg VAC	J0410	J0510	J0610	J1110	J1410	J1810	J2010	
30" Hg VAC to 15 psi	J0412	J0512	J0612	J1112	J1412	J1812	J2012	
30" Hg VAC to 30 psi	J0414	J0514	J0614	J1114	J1414	J1814	J2014	
30" Hg VAC to 60 psi	J0416	J0516	J0616	J1116	J1416	J1816	J2016	
30" Hg VAC to 100 psi	J0418	J0518	J0618	J1118	J1418	J1818	J2018	
30" Hg VAC to 150 psi	J0420	J0520	J0620	J1120	J1420	J1820	J2020	
30" Hg VAC to 200 psi	J0424	J0524	J0624	J1124	J1424	J1824	J2024	
30" Hg VAC to 300 psi				J1126	J1426	J1826	J2026	
30" Hg VAC to 400 psi	J0440	J0540	J0640	J1140	J1440	J1840	J2040	
0 to 15 psi	J0442	J0542	J0642	J1142	J1442	J1842	J2042	
0 to 30 psi	J0446	J0546	J0646	J1146	J1446	J1846	J2046	
0 to 60 psi	J0448	J0548	J0648	J1148	J1448	J1848	J2048	
0 to 100 psi	J0452	J0552	J0652	J1152	J1452	J1852	J2052	
0 to 160 psi	J0454	J0554	J0654	J1154	J1454	J1854	J2054	
0 to 200 psi	J0458	J0558	J0658	J1158	J1458	J1858	J2058	
0 to 300 psi	J0460	J0560	J0660	J1160	J1460	J1860	J2060	
0 to 400 psi	J0464	J0564	J0664	J1164	J1464	J1864	J2064	
0 to 600 psi	J0472	J0572	J0672	J1172	J1472	J1872	J2072	
0 to 1,000 psi	J0474	J0574	J0674	J1174	J1474	J1874	J2074	
0 to 1,500 psi	J0476	J0576	J0676	J1176	J1476	J1876	J2076	
0 to 2,000 psi	J0478	J0578	J0678	J1198	J1478	J1878	J2078	
0 to 3,000 psi	J0482	J0582	J0682	J1182	J1482	J1882	J2082	
0 to 5,000 psi								

NOTE: Items are available on special order. However, minimums and lead times apply. Consult factory.



STANDARD RANGES & PART NUMBERS

TYPE	GENERAL SERVICE GAUGES											
	2"		2½"				3½"			4½"		
Case Material	Steel		Steel				Steel			Steel		
Internals	Copper Alloy		Copper Alloy				Copper Alloy			Copper Alloy		
Mounting / Case Style	UC	UC	LM	LM	CB	CB	UC	UC	LM	CB	UC	LM
Connection	½ NPT	¼ NPT	½ NPT	¼ NPT	½ NPT	¼ NPT	½ NPT	¼ NPT	½ NPT	¼ NPT	½ NPT	¼ NPT
Scale Standard	psi/kPa		psi/kPa				psi/kPa			psi/kPa		
0 to 30" Hg VAC	J2405	J2605	J4005	J4605	J5005	J5405	J6005	J6205	J8005	J8605	J8805	J9005
30" Hg VAC to 15 psi	J2410	J2610	J4010	J4610	J5010	J5410	J6010	J6210	J8010	J8610	J8810	J9010
30" Hg VAC to 30 psi	J2412	J2612	J4012	J4612	J5012	J5412	J6012	J6212	J8012	J8612	J8812	J9012
30" Hg VAC to 60 psi	J2414	J2614	J4014	J4614	J5014	J5414	J6014	J6214	J8014	J8614	J8814	J9014
30" Hg VAC to 100 psi	J2416	J2616	J4016	J4616	J5016	J5416	J6016	J6216	J8016	J8616	J8816	J9016
30" Hg VAC to 150 psi	J2418	J2618	J4018	J4618	J5018	J5418	J6018	J6218	J8018	J8618	J8818	J9018
30" Hg VAC to 200 psi	J2420	J2620	J4020	J4620	J5020	J5420	J6020	J6220	J8020	J8620	J8820	J9020
30" Hg VAC to 300 psi	J2424	J2624	J4024	J4624	J5024	J5424	J6024	J6224	J8024	J8624	J8824	J9024
30" Hg VAC to 400 psi	J2426	J2626	J4026	J4626	J5026	J5426	J6026	J6226	J8026	J8626	J8826	J9026
0 to 15 psi	J2440	J2640	J4040	J4640		J5440		J6240	J8040	J8640	J8840	J9040
0 to 30 psi	J2442	J2642	J4042	J4642	J5042	J5442	J6042	J6242	J8042	J8642	J8842	J9042
0 to 60 psi	J2446	J2646	J4046	J4646	J5046	J5446	J6046	J6246	J8046	J8646	J8846	J9046
0 to 100 psi	J2448	J2648	J4048	J4648	J5048	J5448	J6048	J6248	J8048	J8648	J8848	J9048
0 to 160 psi	J2452	J2652	J4052	J4652	J5052	J5452	J6052	J6252	J8052	J8652	J8852	J9052
0 to 200 psi	J2454	J2654	J4054	J4654	J5054	J5454	J6054	J6254	J8054	J8654	J8854	J9054
0 to 300 psi	J2458	J2658	J4058	J4658	J5058	J5458	J6058	J6258	J8058	J8658	J8858	J9058
0 to 400 psi	J2460	J2660	J4060	J4660	J5060	J5460	J6060	J6260	J8060	J8660	J8860	J9060
0 to 600 psi	J2464	J2664	J4064	J4664	J5064	J5464	J6064	J6264	J8064	J8664	J8864	J9064
0 to 1,000 psi	J2472	J2672	J4072	J4672	J5072	J5472	J6072	J6272	J8072	J8672	J8872	J9072
0 to 1,500 psi	J2474	J2674	J4074	J4674	J5074	J5474	J6074	J6274	J8074	J8674	J8874	J9074
0 to 2,000 psi	J2476	J2676	J4076	J4676	J5076	J5476	J6076	J6276	J8076	J8676	J8876	J9076
0 to 3,000 psi	J2478	J2678	J4078	J4678	J5078	J5478	J6078	J6278	J8078	J8678	J8878	J9078
0 to 5,000 psi	J2482	J2682	J4082	J4682	J5082	J5482	J6082	J6282	J8082	J8682	J8882	J9082

NOTE: Items are available on special order. However, minimums and lead times apply. Consult factory.

General Service

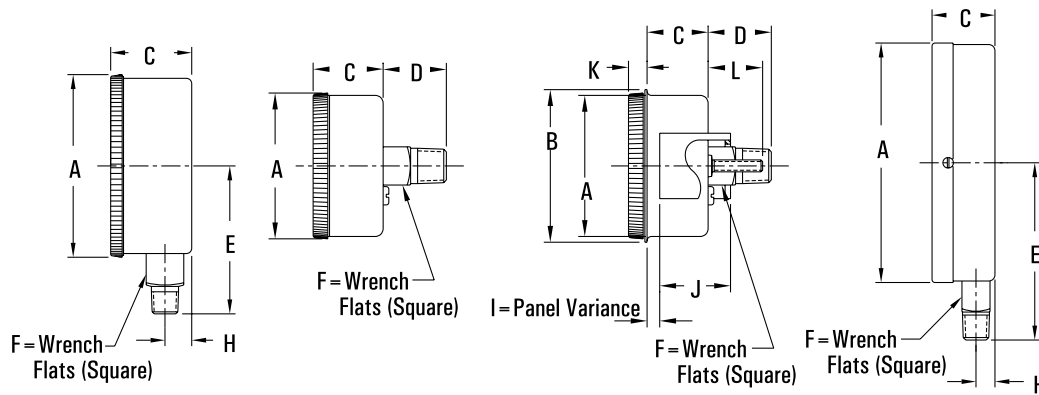


Dial Divisions	General Service 3/2/3% of Span		
Ranges	Figure Intervals	Minor Graduations	
Vacuum	5	1	
COMPOUND			
30" Hg VAC to 15 psi	10	5	2 1
30" Hg VAC to 30 psi	10	10	2 1
30" Hg VAC to 60 psi	10	10	2 2
30" Hg VAC to 150 psi	30	30	5 5
30" Hg VAC to 300 psi	30	50	- 10
PRESSURE			
0 to 15 psi	3	0.2	
0 to 30 psi	5	1	
0 to 60 psi	10	1	
0 to 100 psi	10	2	
0 to 160 psi	20	2	
0 to 200 psi	50	4	
0 to 300 psi	50	5	
0 to 400 psi	50	5	
0 to 600 psi	50	10	
HIGH PRESSURE			
0 to 1,000 psi	200	20	
0 to 1,500 psi	300	20	
0 to 2,000 psi	400	40	
0 to 3,000 psi	500	100	
0 to 4,000 psi	1,000	100	
0 to 5,000 psi	1,000	100	

GENERAL SERVICE GAUGE OPTIONS

OPTION	TYPE	SUFFIX	AVAILABLE ON MODELS
Restrictors	Add restrictor	H	All models – Consult factory for other sizes
Catalog Dials	psi only	E	See Marsh Price List for minimums
	bar only	L1	
	kg/cm ² only	L2	
	kPa only	L3	
	MPa only	L4	
	psi & bar	W1	
	psi & kg/cm ²	W2	
	psi & MPa	W4	
Custom Dials	Custom face	M	See Marsh Price List for minimums
Window	Instrument glass w/ring (GS)	F1	1½" - 3½" Consult factory for availability
	Acrylic	F2	4½" Consult factory for availability
Pointer	Adjustable (slotted) pointer (AD)	Z1	2" - 4½" Consult factory for availability
	Max. Hand Assembly (MX)	Z2	2" - 3½" CB or LM only, Consult factory for availability
Cases	3 hole front flange (FF)		1½" - 3½" See below for part number
	Part Numbers: 1½"x ⅝" (J07XX), 2"x ⅝" (J25XX), 2"x ¼" (J29XX), 2½" x ⅝" (J61XX), 2½" x ¼" (J63XX), 3½" x ⅝" (J85XX), 3½" x ¼" (J89XX). Consult factory for availability.		
Rings	Friction ring (external), black (FB)	A2	1½" to 3½" CB or LM only
Special Connections			Consult Factory for availability

(J90XX Only)



ALL DIMENSIONS ARE NOMINAL

GENERAL SERVICE CASE DIMENSIONS

Part#	Dial Size	Mount	A	B	C	D	E	F	H	I	J	K	L
J04xx	1½	⅝" LM	1.67		.90		1.50	⅞"	.26				
J05xx	1½	⅝" UC	1.60	1.75	.71	.72		⅞"		.06-.37	.81	.19	.63
J06xx	1½	⅝" CB	1.67		.90	.72		⅞"					
J11xx	2.0	⅝" LM	2.20		1.22		1.82	⅞"	.40				
J14xx	2.0	¼" LM	2.20		1.22		1.82	⅞"	.40				
J18xx	2.0	⅝" CB	2.20		1.22	.82		⅞"					
J20xx	2.0	¼" CB	2.20		1.22	.82		⅞"					
J24xx	2.0	⅝" UC	2.06	2.25	.94	.88		⅞"		0-0.43	1.22	.20	.92
J26xx	2.0	¼" UC	2.06	2.25	.94	.88		⅞"		0-0.43	1.22	.20	.92
J40xx	2½	⅝" LM	2.73		1.22		2.10	⅞"	.40				
J46xx	2½	¼" LM	2.73		1.22		2.10	⅞"	.40				
J50xx	2½	⅝" CB	2.73		1.23	.82		⅞"					
J54xx	2½	¼" CB	2.73		1.23	.82		⅞"					
J60xx	2½	⅝" UC	2.58	2.81	.94	.88		⅞"		0-0.43	1.22	.20	.92
J62xx	2½	¼" UC	2.58	2.81	.94	.88		⅞"		0-0.43	1.22	.20	.92
J80xx	3½	¼" LM	3.71		1.22		2.77	⅞"	.40				
J86xx	3½	¼" CB	3.71		1.15	.80		⅞"					
J88xx	3½	¼" UC	3.65	3.98	.91	.87		⅞"		0-0.49	1.10	.24	.92
J90xx	4½	¼" LM	4.53		1.22		3.16	⅞"	.40				