



DIN-A-MITE[®] Style C

Solid-State Power Controller

User's Manual



DIN-A-MITE Solid-State Power Controller

Please consult this user's manual when you place your new DIN-A-MITE into service. It contains all the necessary information to mount and wire the product into the application. This manual also contains all user-pertinent specifications and semiconductor fusing recommendations. Refer to national and local electrical code safety guidelines whenever you install electrical equipment.

The Watlow DIN-A-MITE power controller includes single-phase, 3-phase, 2-leg, and 3-phase, 3-leg, 120 to 600V~ (ac) operation. Current switching capabilities range from 30 to

80A, depending on the model ordered. See the output rating curves.

Zero-cross variable time base or V_{\approx} (ac/dc) input contactor versions are available. Shorted SCR (silicon controlled rectifier) and open-heater protection is available on some zero-cross models. Phase angle and phase angle with current limit is also available on single-phase models. The model number indicates the power controller's configuration.



0600-0025-0009 Rev Q



January 2016

Made in the U.S.A.

1.888.610.7664



www.calcert.com

sales@calcert.com

General Specifications

Operator Interface

- Command signal input and indication light
- Alarm output and indication light
- Current limit indication LED

Amperage Rating

See the output rating curve chart on page 5 for all the natural convection, fan-cooled, and through-wall mount models.

Ratings are into a resistive heater load

- Maximum surge current for 16.6 milliseconds, 1,350 A peak
- Maximum I²t for fusing is 9100 A²s
- Latching current: 500mA minimum
- Holding current: 200mA minimum
- Fan current: 0.14 A for 24V[~] (dc); 0.12 A for 120V[~] (ac); 0.06A for 240V[~] (ac)
- Off-state leakage 1mA at 25°C (77°F) maximum
- Power dissipation is 1.2 watts per amp switched per controlled leg.
- 200KA SCCR type 1 and 2 approved with the recommended fusing (see page 4)

Line Voltage

- 24 to 48V[~] (ac) units: 20V[~] minimum to 53V[~] maximum
- 120 to 240V[~] (ac) units: 48V[~] minimum to 265V[~] maximum
- 277 to 600V[~] (ac) units: 85V[~] minimum to 660V[~] maximum

Alarms (zero cross models only)

Shorted SCR Alarm Option

- Alarm state when the input command signal is off and a 10 A or more load current is detected by the current transformer (two turns required for 5 A or three turns for 2.5 A).

Open Heater Alarm Option

- Alarm state when the input command signal is on and the load current detected by the current transformer is less than the alarm set point. Available with Input Control Signal option S only.

Alarm Output

- Energizes on alarm, non-latching
- Triac 24 to 240V[~] (ac), external supply with a current rating of 300 mA @ 25°C (77°F), 200mA @ 50°C (122°F), 100mA @ 80°C (176°F) and a holding current of 200 µA with a latching current of 5mA typical.

Agency Approvals

- ROHS
- CE with proper filter:
2004/108/EC Electromagnetic Compatibility Directive
EN 61326: Industrial Immunity Class A emissions
Not suitable for Class B environments.
2006/95/EC Low Voltage Directive
EN 50178 Safety Requirements
Installation category III, Pollution degree 2
Phase angle and phase angle with current limit Input Control Signal Types (P and L) are not CE approved.
- UL® 50 Type 4X Enclosure and UL ANSI/ISA 12.12.01 Temperature Code T4A

The through-wall heatsink package is suitable for use in Class I, Division 2 Groups A, B, C and D Hazardous Locations or unclassified or non-hazardous locations.




WARNING – EXPLOSION HAZARD

SUBSTITUTION OF ANY COMPONENTS MAY IMPAIR SUITABILITY FOR CLASS I, DIVISION 2.



WARNING – EXPLOSION HAZARD

DO NOT DISCONNECT WHILE THE CIRCUIT IS LIVE OR UNLESS THE AREA IS KNOWN TO BE FREE OF IGNITIBLE CONCENTRATIONS.

-  UL® 508 listed and C-UL®, File E73741

- Shock and vibration tested to IEC 60068-2-32
- Vibration tested to IEC 60068-2-6

Input Terminals

- Compression: Will accept 0.2 to 1.5 mm² (24 to 16 AWG) wire
- Torque to 0.5 Nm (4.4 in-lb) with a 3.5 mm (1/8 in) blade screwdriver
- Wire strip length 5.5 mm (0.22 in)
- Line and load wire insulation rating must be 75C or higher, copper conductor only

Line, Load and Ground Terminals

- Compression: Will accept 2.5 to 25 mm² (14 to 3 AWG) wire
- Torque to 2.7 Nm (24 in-lb) with a 6.4 mm (1/4 in) blade screwdriver, or a Type 1A #2 Pozzi driver.
- Retorque after 48 hours to minimize wire cold flow.
- Retorque line and load terminals every 3 to 6 months.
- Wire strip length 11 mm (7/16 in)

Operating Environment

- See the output rating curve chart on page 5.
- 0 to 90% RH (relative humidity), non-condensing
- Storage temperature: -40 to +85°C (-40 to 185°F)
- Insulation only tested to 3,000 meters

DIN Rail Mount

- DIN EN 50022, 35 by 7.5 mm
- Minimum clipping distance: 34.8 mm (1.37 in)
- Maximum clipping distance: 35.3 mm (1.39 in)

Back Panel Mount

- Four mounting holes M4 (No. 8) fastener

Through-Wall Mount

- See page 8 for through-wall cutout

NOTE: Mount cooling fins vertically. Cooling fan power terminals: quick connect, 1/8" push on, 16-14 AWG wire. Amp part no. 640929-1 or equivalent

Weight

- 1.0 to 1.9 kg (2.2 to 4.2 lb) depending upon model

Specifications are subject to change without notice.

Note: The DIN-A-MITE C was changed in April of 2007 to add the shut down circuitry (fan failure) to all units shipped. The shut down temperature is approximately 117C.

Additional Specifications for Contactors and Proportional Controls

Control Mode, Zero-Cross

- Input Control Signal Type C: V $\overline{=}$ (dc) input contactor.
To increase service life, the cycle time should be less than 3 seconds.
- Input Control Signal Type K: V \sim (ac) input contactor.
To increase service life, the cycle time should be less than 3 seconds.
- Input Control Signal Type F: 4 to 20mA $\overline{=}$ (dc) proportional variable time base control.

Input Command Signal

- AC contactor
24V \sim \pm 10%, 120V \sim +10%/-25%, 240V \sim (ac) +10%/-25% @ 25mA maximum per controlled leg
- Do not use the DIN-A-MITE Vac-input models with a temperature controller that includes an RC snubber circuit across its output. Remove the RC snubber circuit before placing the DIN-A-MITE into service.

- DC Contactor
4.5 to 32V $\overline{=}$ (dc): maximum current @ 4.5V $\overline{=}$ (dc) is 6mA per leg. Add 2mA per LED used to the total current.
- Loop powered linear current
4 to 20mA $\overline{=}$ (dc): loop-powered. Input Type F0 option only. (Requires current source with 8.0V $\overline{=}$ (dc) available. No more than two inputs connected in series.)

Linearity (Input Control Signal Type F)

- Full on point 19.5 to 19.9mA $\overline{=}$ (dc), maximum voltage of 6.2V peak.
- \pm 5% input to output power accuracy, 0% to 100% of span (4.3 to 19.7mA or 12.3 to 19.7mA).
- Temperature stability is less than 0.15%/ $^{\circ}$ C change.

Additional Specifications: Phase Angle; Phase Angle Current Limit; & Single Cycle VTB

Operation

- Burst firing (zero-cross) control, single-cycle variable time base, Type S single-phase and 3-phase. Unit is not on for more than one full cycle under 50% power and not off for more than one full cycle above 50% power.
- Phase angle control, single-phase only

Input Command Signal

- 0 to 20mA, 4 to 20mA, 12 to 20mA, $\overline{=}$ (dc), 0 to 5V $\overline{=}$, 1 to 5V $\overline{=}$, and 0 to 10V $\overline{=}$
- Input impedance 250 Ω for 4 to 20mA, 5k Ω for linear voltage input

Output Voltage

- 100 to 120V \sim (ac), 200 to 208V \sim , 230 to 240V \sim , 277V \sim , 400V \sim , 480V \sim , 600V \sim , -15%/+10%, 50 or 60 Hz independent \pm 5% (Input Control Signal Type L, P and S)

Phase Angle Accuracy

- Output on time is directly proportional to the command signal. Output on time is accurate to within 5% of the command signal input at 25 degrees C ambient. See chart below for command signal input to output power transfer function. Temperature stability at ambient temperature is less than 0.25%/degrees C.

Single Cycle VTB Accuracy

- Output power is directly proportional to the command signal. Output power is accurate to within 5% of the command signal input at 25 degrees C ambient. Temperature stability is less than 0.25%/degrees C ambient temperature change.

Soft Start

(Phase Angle Input Control Signal Type P and L)

Typically:

- 5 seconds soft start on power up
- Soft start on thermostat overtemperature
- Soft start on 1/2 cycle drop out detection
- 1 second soft switching on set point change

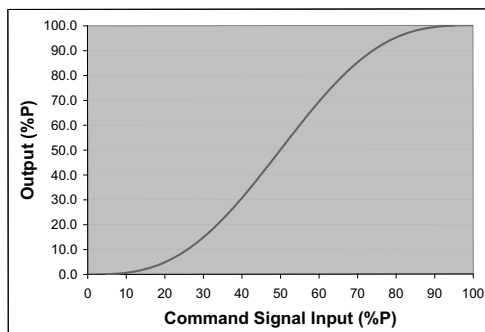
Options

- Manual Control Kit (1k Ω , 1 turn potentiometer with dial scale labeled 0 to 100%) 08-5362
- Alarm option is **not** available on phase angle type P or type L.

Resolution

- Better than 0.1% of input span with respect to output change.

Phase Angle Command Signal Input to Output Power



Note: The DIN-A-MITE C was changed in April of 2007 to add the shut down circuitry (fan failure) to all units shipped. The shut down temperature is approximately 117C.

DIN-A-MITE C Ordering Information

To order, complete the code number on the right with the information below:

Style C solid-state power controller

DC

Phase

- 1 = single-phase, 1 controlled leg
- 2 = 3-phase, 2 controlled legs
- 3 = 3-phase, 3 controlled legs (use with four-wire wye)
- 8 = 2 independent zones (input control C, K)
- 9 = 3 independent zones (input control C, K)

Cooling and Current Rating Per Leg

- 0 = Natural convection standard DIN rail or panel heatsink
- 1 = Fan-cooled 120V~ (ac) standard DIN rail or panel heatsink
- 2 = Fan-cooled 240V~ (ac) standard DIN rail or panel heatsink
- 3 = Fan-cooled 24V= (dc) fan standard DIN rail or panel heatsink
- T = Natural convection through-wall or cabinet heatsink (UL 50)

Line and Load Voltage

- 02 = 24 to 48V~ (ac) (Input Control Signal C, F, or K only)
- 12 = 100 to 120V~ (ac) (Input Control Signal L, P or S only)
- 20 = 200 to 208V~ (ac) (Input Control Signal L, P or S only)
- 24 = 120 to 240V~ (ac) (Input Control Signal C, F or K only);
230 to 240V~ (ac) (Input Control Signal L, P or S only)
- 27 = 277V~ (ac) (Input Control Signal L, P or S only)
- 40 = 400V~ (ac) (Input Control Signal L, P or S only)
- 48 = 480V~ (ac) (Input Control Signal L, P or S only)
- 60 = 277 to 600V~ (ac) (Input Control Signal C, F or K only);
600V~ (ac) (Input Control Signal L, P or S only)

Input Control Signal

- C0 = 4.5 to 32V= (dc) contactor
 - K1 = 22 to 26V~ contactor
 - K2 = 100 to 120V~ contactor
 - K3 = 200 to 240V~ contactor
 - F0 = Proportional 4 to 20 mA (loop powered)
 - L(0 to 5) = Phase angle with current limiting (DC1 only, Alarm 0 only,
includes one current transformer - Single phase only) ①
 - P(0 to 5) = Phase angle (DC1 only, Alarm 0 only - Single phase only) ①
 - S(0 to 5) = Single-cycle variable time base
- (Select one of the following input options for L, P, S, (0 to 5))
- 0 = 4 to 20mA
 - 1 = 12 to 20mA (for Input Control Signal option S only)
 - 2 = 0 to 20mA
 - 3 = 0 to 5V= (dc) proportional
 - 4 = 1 to 5V= (dc) proportional
 - 5 = 0 to 10V= (dc) proportional

Alarm

- 0 = No alarm
- S = Shorted-SCR alarm (not available on Phase options 8 & 9 or Control options L & P)
- H = Open-heater and shorted-SCR alarm (for Input Control Signal option S only)

User Manual Language

- 0 = English
- 1 = German
- 2 = Spanish
- 3 = French

Custom Part Numbers

- 00 = Standard part
- 1X = 1-second soft start (control option P, L)
- XX = Any letter or number, custom options, labeling, etc.

Current Rating Table

Model (first 4 digits of part number)	Current at 50°C (122°F)
DC10	55 A
DC1T	62 A
DC11, DC12, DC13	75 A
DC20, DC80	40 A
DC2T, DC8T	46 A
DC21, DC22, DC23	65 A
DC81, DC82, DC83	
DC30, DC90	30 A
DC3T, DC9T	35 A
DC31, DC32, DC33	55 A
DC91, DC92, DC93	

① Not CE compliant for conducted or radiated emissions

Note:

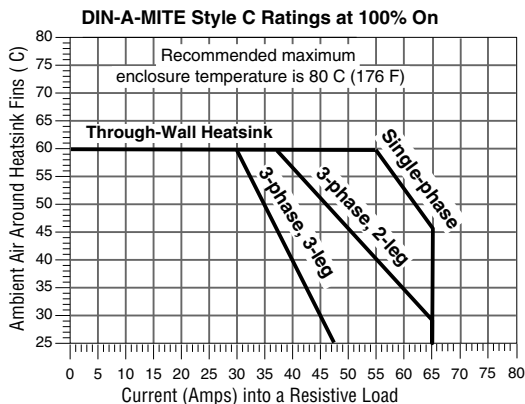
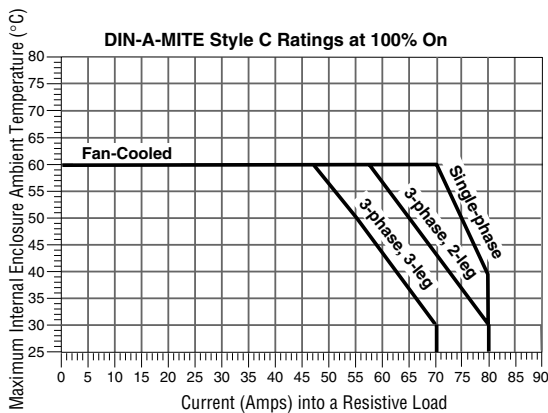
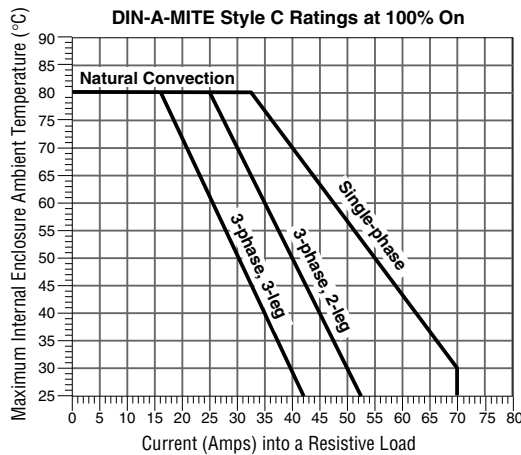
- Recommended fusing options to meet 200KA SCCR, type 1 and 2 approved. All other fuse and SCR combinations are defaulted to 5KA SCCR per UL508A and NEC guidelines.

Semiconductor Fuses for Applications Through 600V~ (ac):

Semiconductor Fuse Rating	Watlow Fuse P/N	Bussman Fuse P/N	Watlow Holder P/N	Ferraz Holder P/N
30A	17-8030	FWP30A14F	17-5114	USM141i
40A	17-8040	FWP40A14F	17-5114	USM141i
50A	17-8050	FWP50A14F	17-5114	USM141i
63A	17-8063	FWP63A22F	17-5122	US221i
80A	17-8080	FWP80A22F	17-5122	US221i
100A	17-8100	FWP100A22F	17-5122	US221i

Combination Fuses for Applications Through 600V~ (ac):				
Semiconductor Fuse Rating	Watlow Fuse P/N	Bussman P/N	Watlow Holder P/N	Bussmann Holder P/N
30A	0808-0325-0030	DFJ30	0808-0326-1530	CH30J1i
40A	0808-0325-0040	DFJ40	0808-0325-3560	CH60J1i
50A	0808-0325-0050	DFJ50	0808-0325-3560	CH60J1i
63A	0808-0325-0060	DFJ60	0808-0325-3560	CH60J1i
80A	0808-0325-0080	DFJ80	0808-0325-7010	J60100-1CR
100A	0808-0325-0100	DFJ100	0808-0325-7010	J60100-1CR

Output Rating Curves



Extended Heater And SCR Life With Variable Time Base

Models: DC __ - [02, 24, 60] F0 - _ _ _ _
20% Power, 3 AC line cycles on, 12 cycles off



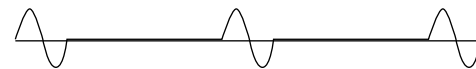
50% Power, 3 AC line cycles on, 3 cycles off



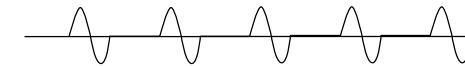
With variable time base control, the power controller automatically adjusts the time base and output power with respect to process input. Accelerated life testing verified that the variable time base control significantly reduces expansion and contraction of the heater element. This extends heater and SCR life while improving the process temperature control. You save money on heaters, down time and maintenance.

Single-Cycle Variable Time Base

Models: DC _ _ _ S _ _ _ _ _ 6
25% Power, 1 AC line cycle on, 3 cycles off



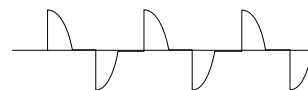
50% Power, 1 AC line cycle on, 1 cycle off



With single-cycle variable time base (VTBS) control, at 50% power, power is on one cycle, and off one cycle. At 25%, it is on for one cycle and off for three. Under 50%, the unit is not on for more than one consecutive cycle. Over 50%, the unit is not off for more than one consecutive cycle. This model will work with a linear voltage input, a 4 to 20mA input or a potentiometer input.

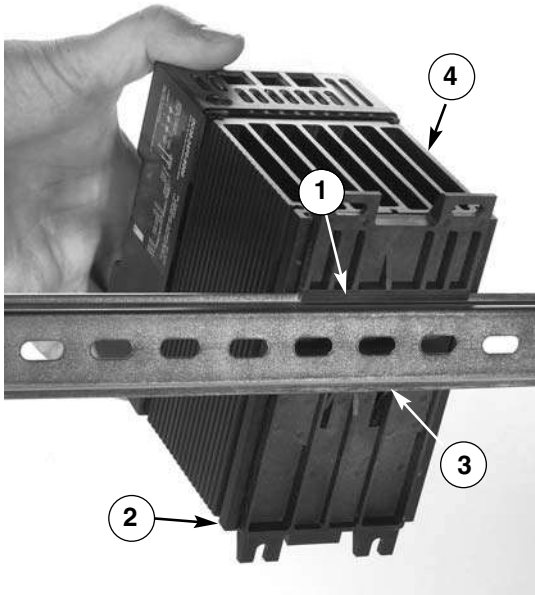
Phase Angle

Models: DC1 _ _ _ [L, P] _ _ 0 _ _ _



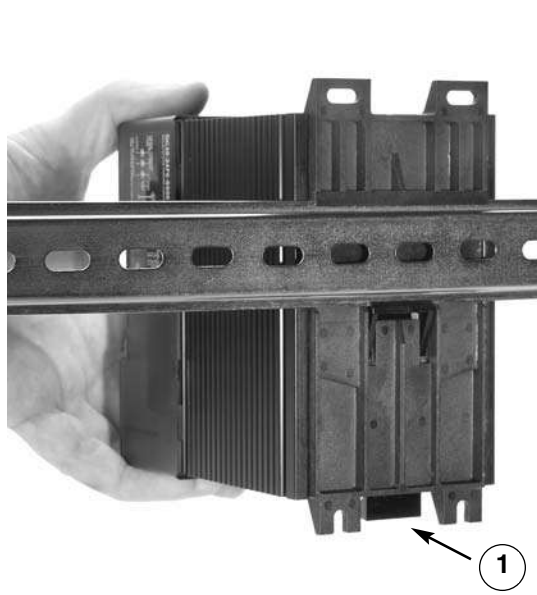
Phase angle control (control Type P) is infinitely variable inside the sine wave. This provides a variable voltage and/or current output. This option includes soft start and line voltage compensation. This model will work with a linear voltage input, a linear current source input or a potentiometer input. This is single-phase only. Alarms not available on phase angle models.

Mount



1. Push the unit in and down to catch the rail hook on top of the rail.
2. Rotate the bottom of the unit in toward the rail.
3. The rail clasp will audibly “snap” into place. If the DIN-A-MITE does not snap into place, check to see if the rail is bent.
4. Mount the cooling fins vertically.

Dismount



1. Press down on the release tab while rotating the unit up and away from the rail.



WARNING:
Only authorized and qualified personnel should be allowed to install and perform preventive and corrective maintenance on this unit. Failure to follow this guideline could result in damage to equipment, and personal injury or death.

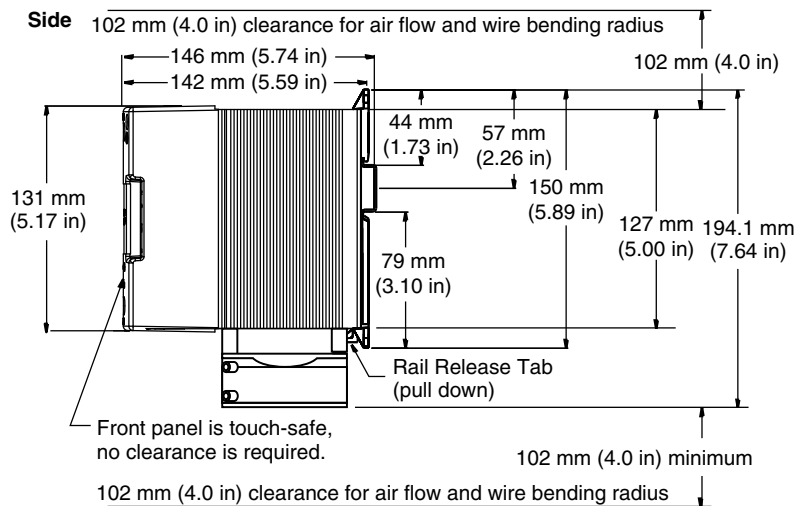


WARNING:
Hot surface, do not touch the heat sink. Failure to follow this guideline could result in personal injury.



Mount the cooling fins vertically. ↑

Unit Dimensions - Fan-Cooled





WARNING:
Only authorized and qualified personnel should be allowed to install and perform preventive and corrective maintenance on this unit. Failure to follow this guideline could result in damage to equipment, and personal injury or death.

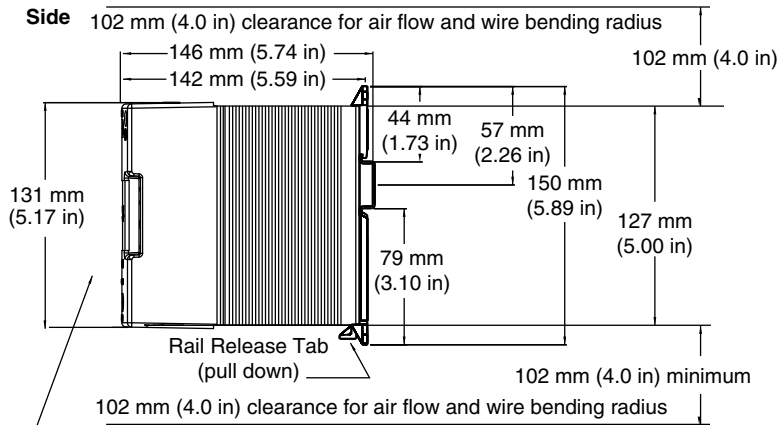
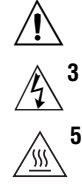
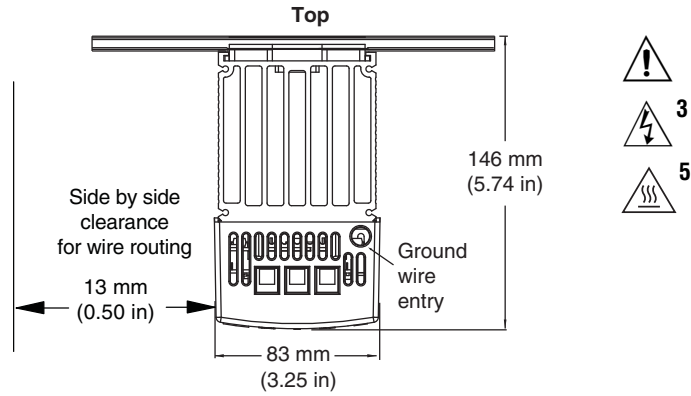


WARNING:
Hot surface, do not touch the heat sink. Failure to follow this guideline could result in personal injury.

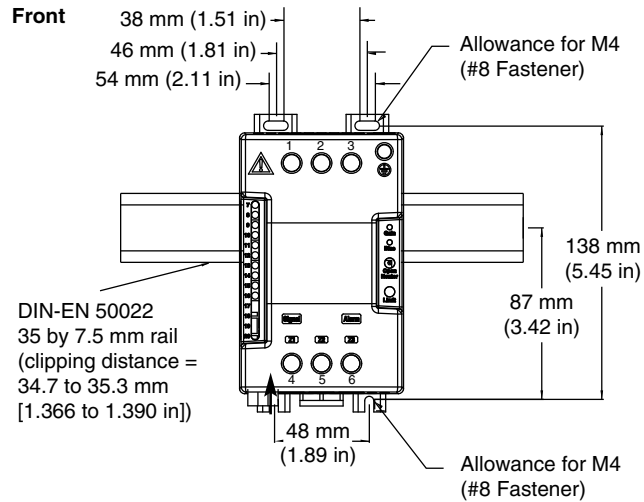


Mount the cooling fins vertically.

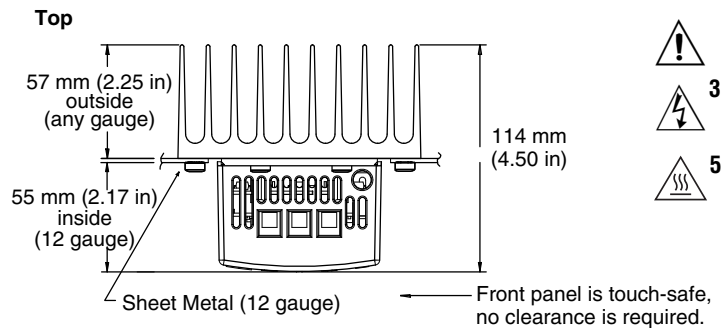
Unit Dimensions - Rail-Mounted



Front panel is touch-safe, no clearance is required.



Unit Dimensions - Through-Wall (Cabinet Panel)



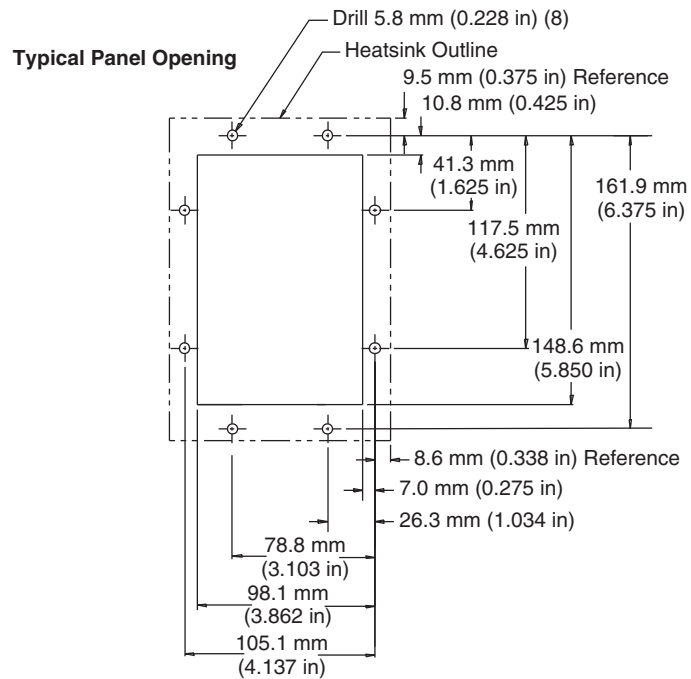
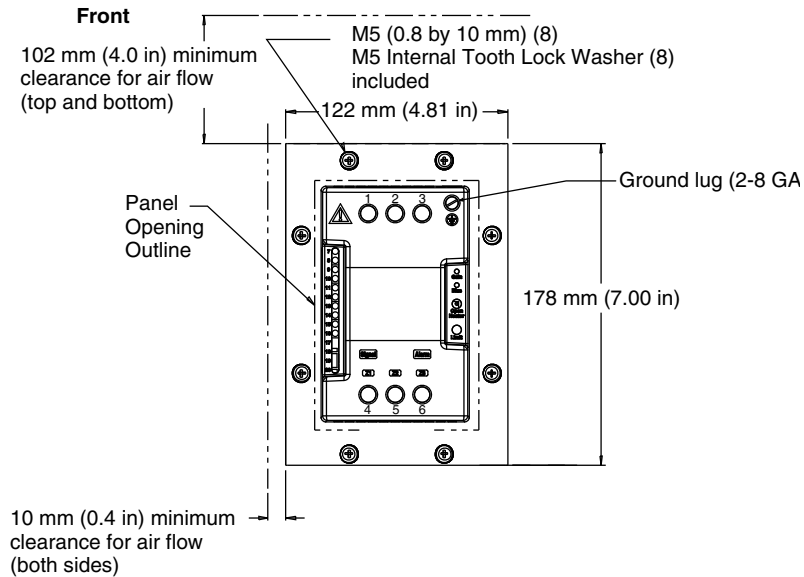
Mounting

Mounting procedure for UL® 50 Type 4X Enclosure and UL® / ANSI 12.12.01 Through-wall mount models

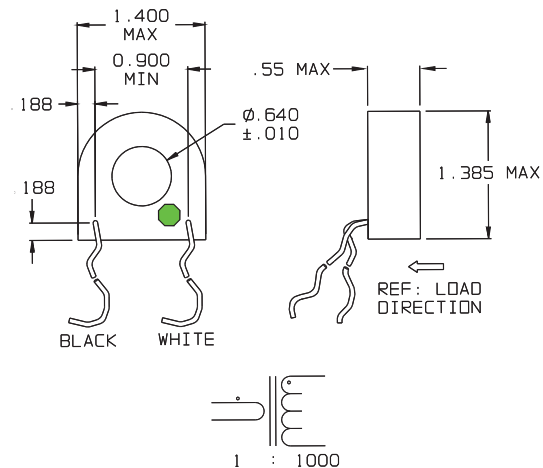
Materials included:

- (1) Silicone gasket
- (8) M5 screws and lockwashers
- (1) DIN-A-MITE C through-wall

1. Drill and cut the panel as shown in the dimensioned drawing at right.
2. Remove the mounting screws from the heatsink.
3. Peel off the protective film from the silicone gasket. Stick the gasket to the heatsink so the gasket holes line up with the screw holes in the heatsink.
4. Mount the heatsink vertically. Torque to 2.26 to 2.82 Nm (20 to 25 in-lb).



Current Transformer Dimensions





1

WARNING:
Use National Electric (NEC) or other country-specific standard wiring practices to install and operate the DIN-A-MITE. Failure to do so may result in damage to equipment and property, and/or injury or loss of life.



3

WARNING:
Only authorized and qualified personnel should be allowed to install and perform preventive and corrective maintenance on this unit. Failure to follow this guideline could result in damage to equipment, and personal injury or death.



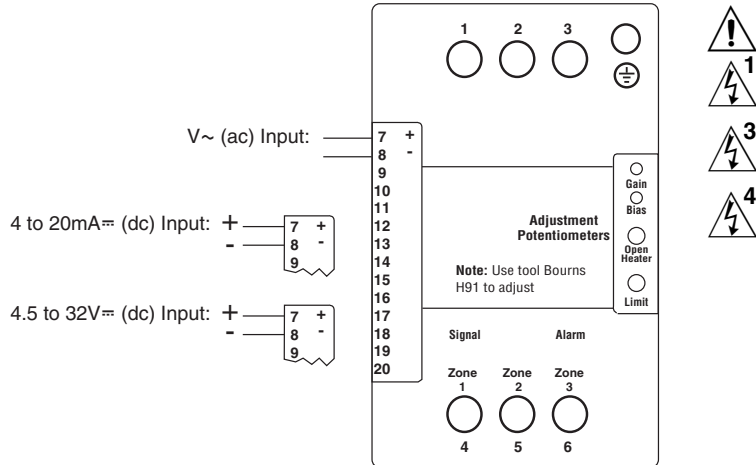
4

WARNING:
Do not use the DIN-A-MITE Vac-input models with a temperature controller that includes an RC snubber circuit across its output. Remove the RC snubber circuit before placing the DIN-A-MITE into service.

NOTE:
Alarm options not available with multizone input

Input Wiring

(For models DC [1, 2, 3] _ - _ _ [C, F, K] _ - _ _ _ _)



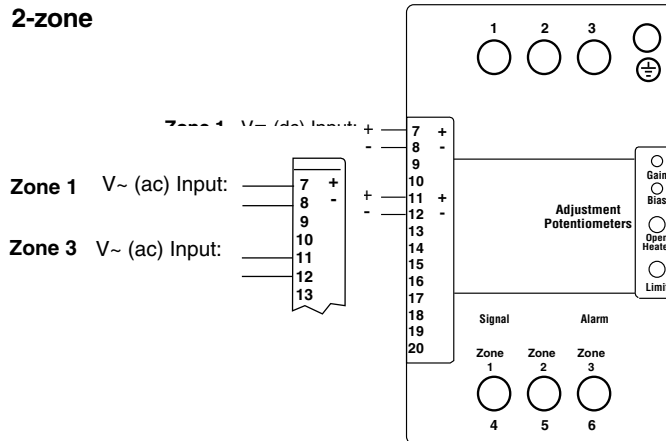
Typical DIN-A-MITE Current Draw:

	4.5Vdc	9.0Vdc	12.0Vdc	24.0Vdc	32.0Vdc
DC21-24C0-5000	13.18mA	15.02mA	16.09mA	20.14mA	22.53mA

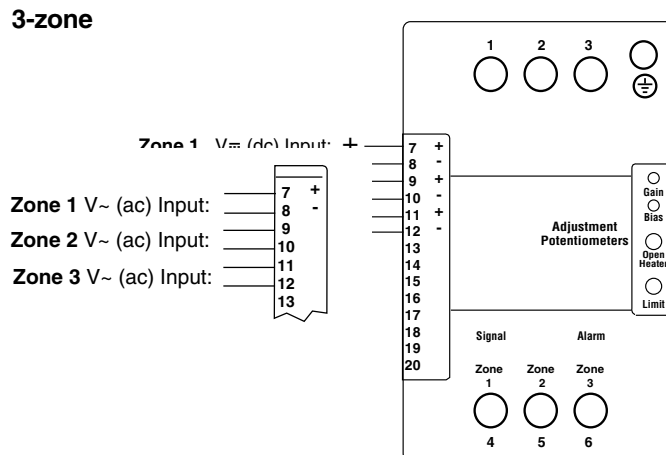
Multizone Input Wiring

(For models DC [8, 9] _ - _ _ [C, K] - 0 _ _ _)

2-zone



3-zone



Input Wiring

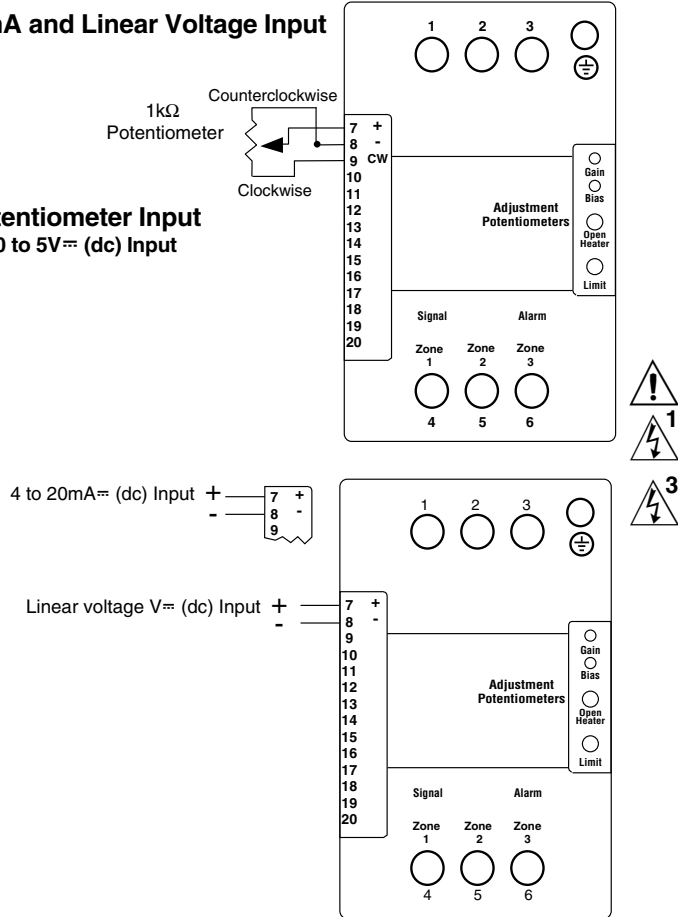


NOTE:
The potentiometer is customer-supplied. For the potentiometer only, order Watlow part number 08-5362.

(For models DC [1, 2, 3] _ _ _ [L, P, S] _ - _ _ _ _)

4 to 20mA and Linear Voltage Input

1kΩ Potentiometer Input Use with 0 to 5V_{dc} (dc) Input

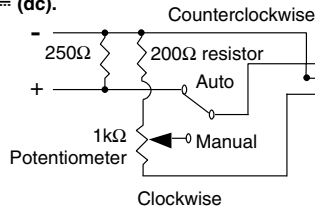


Auto and Manual Input Application

(For models DC [1, 2, 3] _ _ _ [L, P, S] [3, 4] - _ _ _ _)

When you use the 4 to 20 mA_{dc} (dc) temperature controller output and the DIN-A-MITE control input 1 to 5V_{dc} (dc).

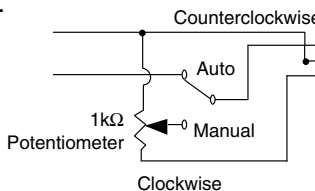
4 to 20mA_{dc} (dc) signal from the temperature controller



NOTE:
The potentiometer and resistors are customer-supplied. For the potentiometer control assembly only, order Watlow part number 08-5362.

If you use the 0 to 5V_{dc} (dc) temperature controller output, order the DIN-A-MITE control input 0 to 5V_{dc} (dc).

0 to 5V_{dc} (dc) signal from the temperature controller





WARNING:
Use National Electric (NEC) or other country-specific standard wiring practices to install and operate the DIN-A-MITE. Failure to do so may result in damage to equipment and property, and/or injury or loss of life.



WARNING: Wiring examples show L2 in phase-to-phase, 200V~ (ac) and above configuration. In phase-to-neutral, 100V~ (ac) and above applications, L2 is neutral and must not be fused or switched. Failure to follow this guideline could result in personal injury or death.

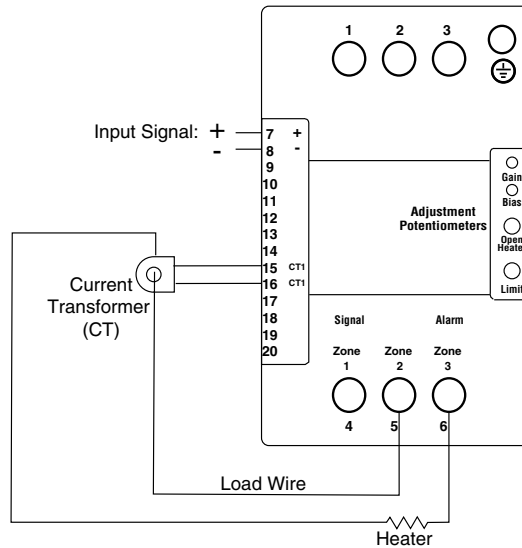


WARNING:
Only authorized and qualified personnel should be allowed to install and perform preventive and corrective maintenance on this unit. Failure to follow this guideline could result in damage to equipment, and personal injury or death.

NOTE:
The alarm options are not available with phase angle units.

Input Wiring Phase Angle with Current Limit

(Model DC1 _ - _ L [0, 1, 2, 3, 4, 5] - _ _ _ _)
Linear current and linear voltage input



The Zone 3 indicator light serves as the current-limit indicator in phase-angle, current-limit models.

Current Limit Adjustment Procedure

The DC1 _ - _ L _ - 0 _ _ _ model is a phase angle-controller that can limit the maximum current to the load. A potentiometer on the DIN-A-MITE adjusts the current limit setting. Use the following steps to adjust the current limit on initial setup. The purpose of the procedure is to bring the power to the load slowly so that the desired maximum current to the load is not exceeded before the current limit is adjusted.

NOTE: The DIN-A-MITE is shipped factory-calibrated with the potentiometer adjusted fully clockwise (no current limiting). Adjust the potentiometer clockwise to increase the current; counterclockwise to decrease the current.

NOTE: A short overcurrent through the load may occur, as the circuitry detects the high current, if the input signal from the temperature controller is abruptly increased.

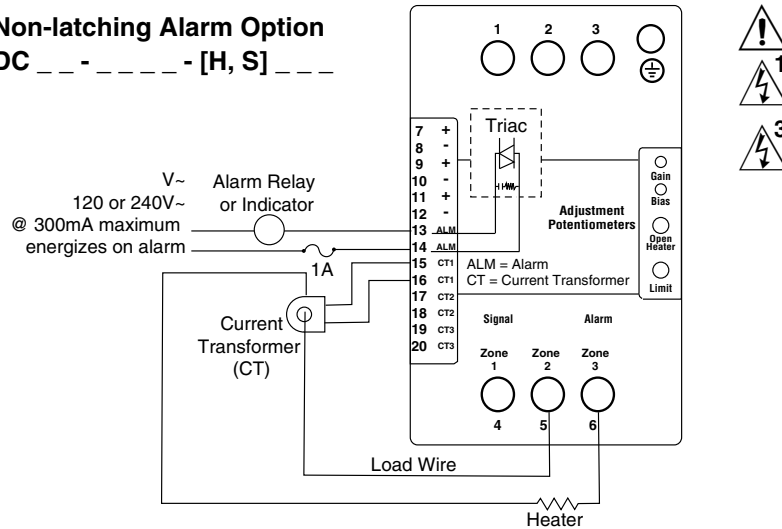
1. Attach a clamp-on ammeter to the load line.
2. Adjust the current limit potentiometer fully counterclockwise (for minimum current flow).
3. Turn the temperature controller on and adjust the input signal to the DIN-A-MITE for zero percent power.
4. Turn on the power to the DIN-A-MITE.
5. Gradually increase the input signal.
6. Adjust the current limit potentiometer clockwise until the current to the load is measurable. The current limit indicator (Zone 3) light should turn on until the output is allowed to go full on, with no limit. At that point, the indicator light will turn off.
7. Gradually increase the input signal to 100% power, then adjust the current limit potentiometer to obtain the desired maximum current to the load.

NOTE: If you plan to wire multiple DIN-A-MITE alarm outputs, you need to include an intermediate relay for each DIN-A-MITE used.

Load Current -	
Single phase load wire passes through one CT. Number of passes through CT:	
5 to 9A	2
10 to 65A	1

Single-phase Alarm

Non-latching Alarm Option
DC _ _ _ - - - - [H, S] _ _ _



The Watlow DIN-A-MITE alarm option provides a common alarm output for open-heater or shorted SCR conditions. **This is a non-latching alarm.**

- A shorted SCR alarm is detected when there is no command signal and a load current is detected. The alarm output is then energized.
- An open-heater or partial open-heater state is detected when a command signal is present and a reduced or no output current is detected. The alarm output is then energized.

Setup Procedure for Open-Heater Alarm

(For Input Control Signal type S option only)

1. With the temperature control wired to the DIN-A-MITE SCR power control, set the temperature control output to “full on” (20mA for 4 to 20mA output, or 5V for 0 to 5V output).

2. Adjust the open heater alarm adjustment potentiometer until the alarm indicator light on the front panel is full on, with no intermittent cycling.

3. Slowly adjust the potentiometer until the open heater indicator light just turns full off, with no intermittent cycling.

If you are getting false alarms, the adjustment is probably set too sensitive and should be re-adjusted towards the off condition of the open-heater indicator light. The open heater pot is adjusted counter clockwise to increase sensitivity to open heater detect (red light on sooner) or clockwise to desensitize to open heater detect (red light on later).

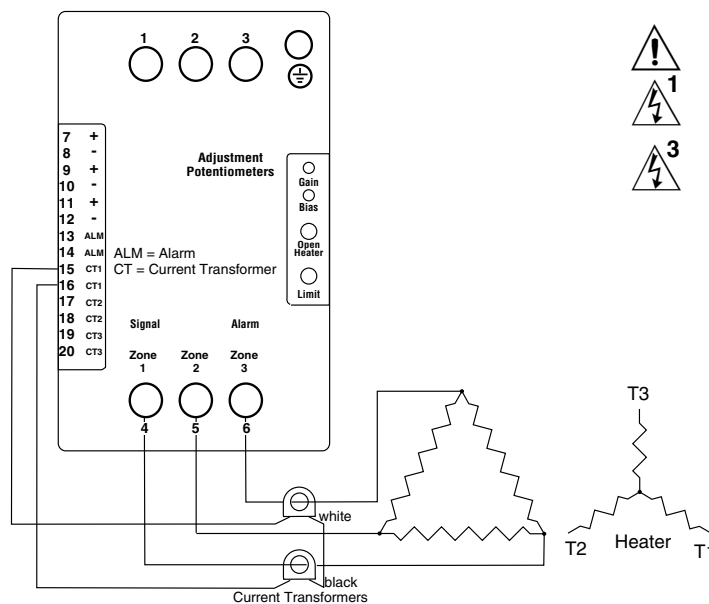
No setup procedure required for shorted SCR alarm.

Load Current -	
3-phase 2-leg load wire passes through 2 CTs. Number of passes through each:	
5 to 6A	7
7 to 9A	6
10 to 14A	4
15 to 19A	3
20 to 33A	2
34A and up	1

NOTE:
Load wires must pass through each current transformer in the same direction.

3-phase, 2-leg Open Heater Alarm

(Model DC2 _ _ _ S _ _ H _ _ _)





NOTE:

Adjust the potentiometer clockwise to increase the current; counterclockwise to decrease the current.



WARNING:

Use National Electric (NEC) or other country-specific standard wiring practices to install and operate the DIN-A-MITE. Failure to do so may result in damage to equipment and property, and/or injury or loss of life.



WARNING:

Only authorized and qualified personnel should be allowed to install and perform preventive and corrective maintenance on this unit. Failure to follow this guideline could result in damage to equipment, and personal injury or death.

NOTE:

The shorted SCR alarm option is not available with phase angle units.

Torque Guidelines

- Properly torque line and load terminals to 2.7 Nm (24 in-lb).
- Retorque after 48 hours to minimize wire cold flow.
- Retorque line and load terminals every 3 to 6 months.

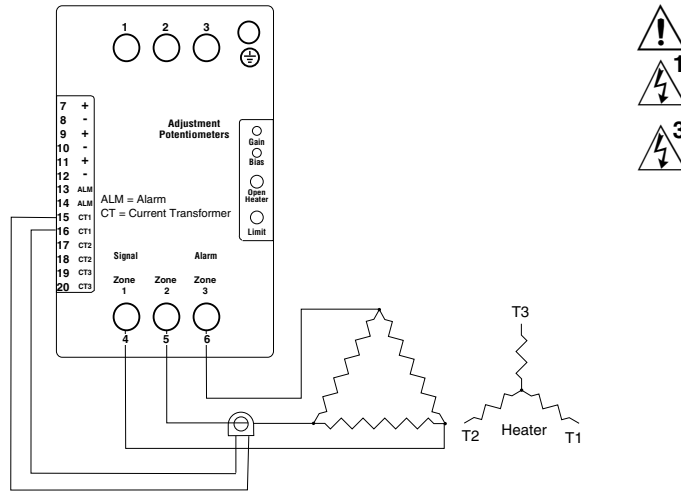
NOTE:

Cooling fan terminals:

Quick connect 1/8" push on, #16-14 AWG
Amp part no. 640929-1 or equivalent

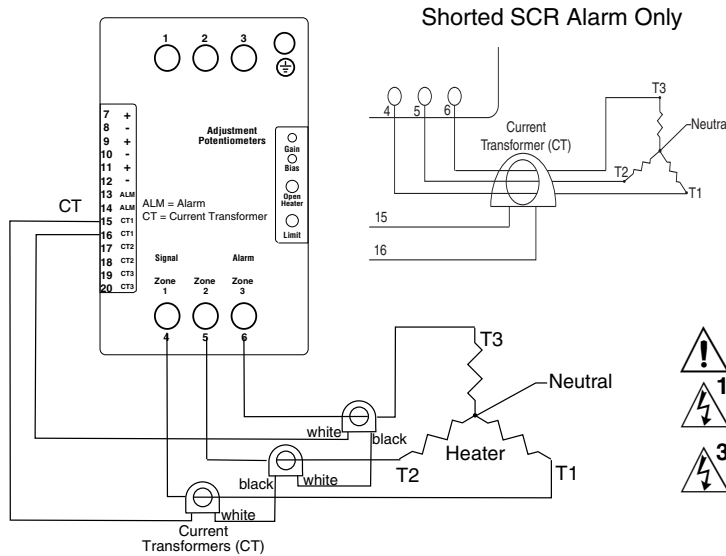
3-phase, 2-leg Shorted SCR Alarm

(Model DC2 _ _ _ [C, F, K, S] _ S _ _ _)



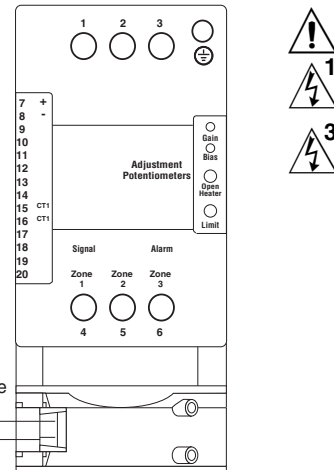
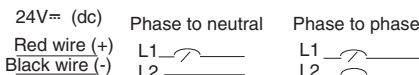
3-phase, 3-leg Alarm, Shorted SCR and Open Heater Alarm

(Model DC3 _ _ _ _ _ [S, H] _ _ _ _)



Fan-Cooled

Fan power required
24V \approx (dc)
115V~ (ac)
240V~ (ac)
(customer supplied)





1



WARNING:
Use National Electric (NEC) or other country-specific standard wiring practices to install and operate the DIN-A-MITE. Failure to do so may result in damage to equipment and property, and/or injury or loss of life.

2



WARNING:
Wiring examples show L2 in phase-to-phase, 200V~ (ac) and above configuration. In phase-to-neutral, 100V~ (ac) and above applications, L2 is neutral and must not be fused or switched. Failure to follow this guideline could result in personal injury or death.

3



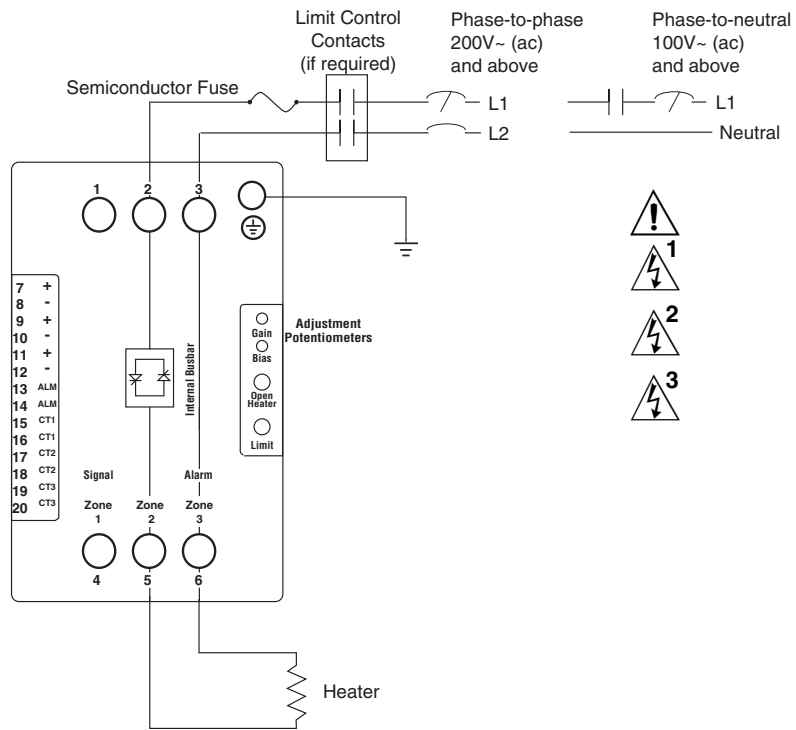
WARNING:
Only authorized and qualified personnel should be allowed to install and perform preventive and corrective maintenance on this unit. Failure to follow this guideline could result in damage to equipment, and personal injury or death.

Torque Guidelines

- Properly torque line and load terminals to 2.7 Nm (24 in-lb).
- Retorque after 48 hours to minimize wire cold flow.
- Retorque line and load terminals every 3 to 6 months.

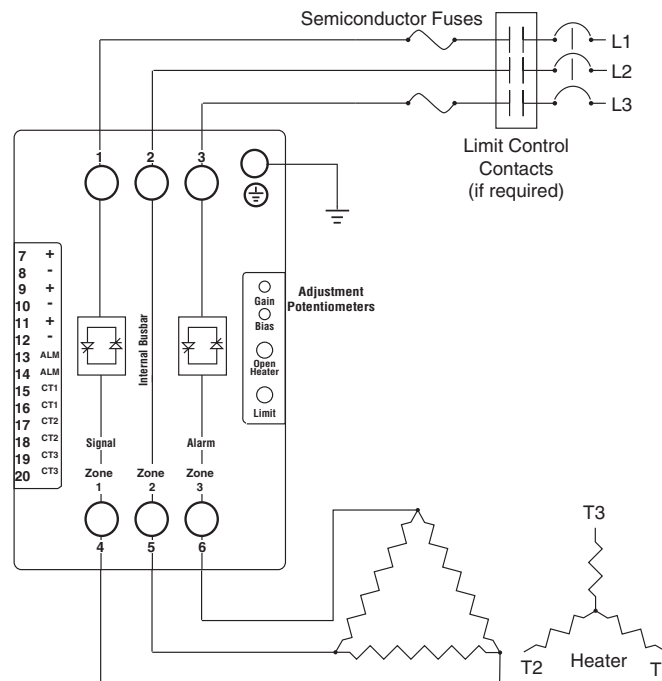
Single-phase Output

(Model DC1 _ - - - - -)



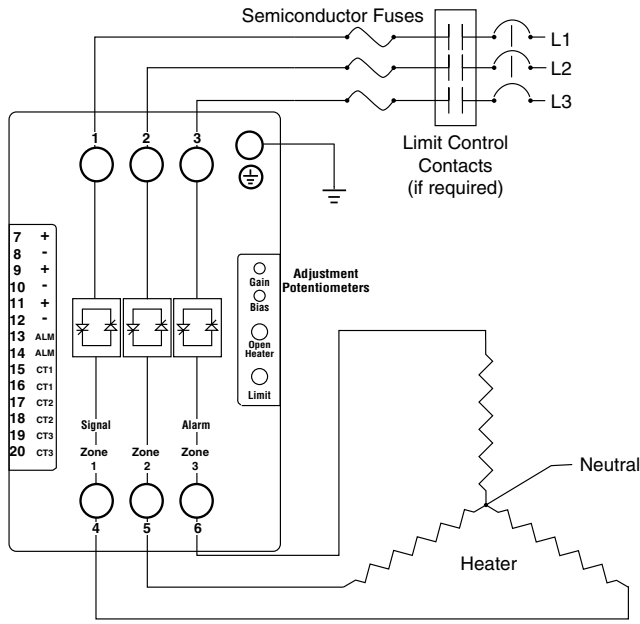
3-phase, 2-leg Output

(Model DC2 _ - - - - -)



3-phase, 3-leg Output, Four Wire Wye

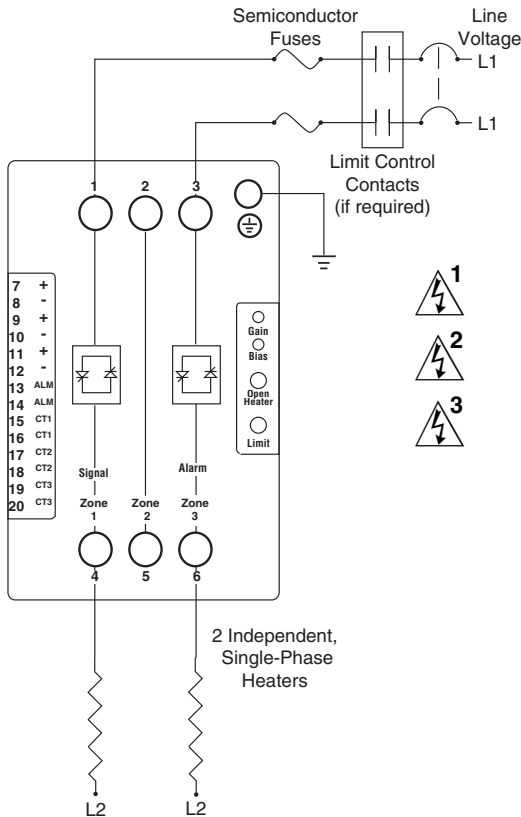
(Model DC3 _ - _ - _ - _ - _ - _)



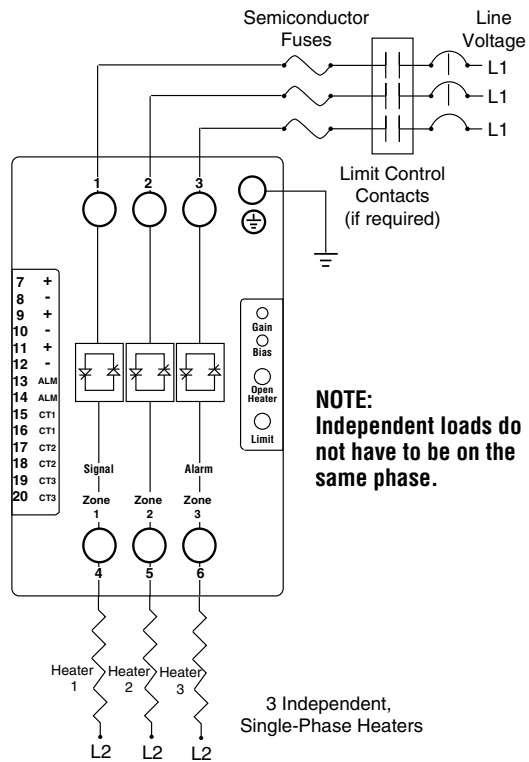
Multizone Output Wiring

(For models DC [8, 9] _ - _ - [C, K] _ - - 0 _ - _ -)

2-zone



3-zone



NOTE:
Independent loads do not have to be on the same phase.

NOTE:
Do not exceed 80 amps on center leg.

System Wiring Example



WARNING:
Use National Electric (NEC) or other country-specific standard wiring practices to install and operate the DIN-A-MITE. Failure to do so may result in damage to equipment and property, and/or injury or loss of life.

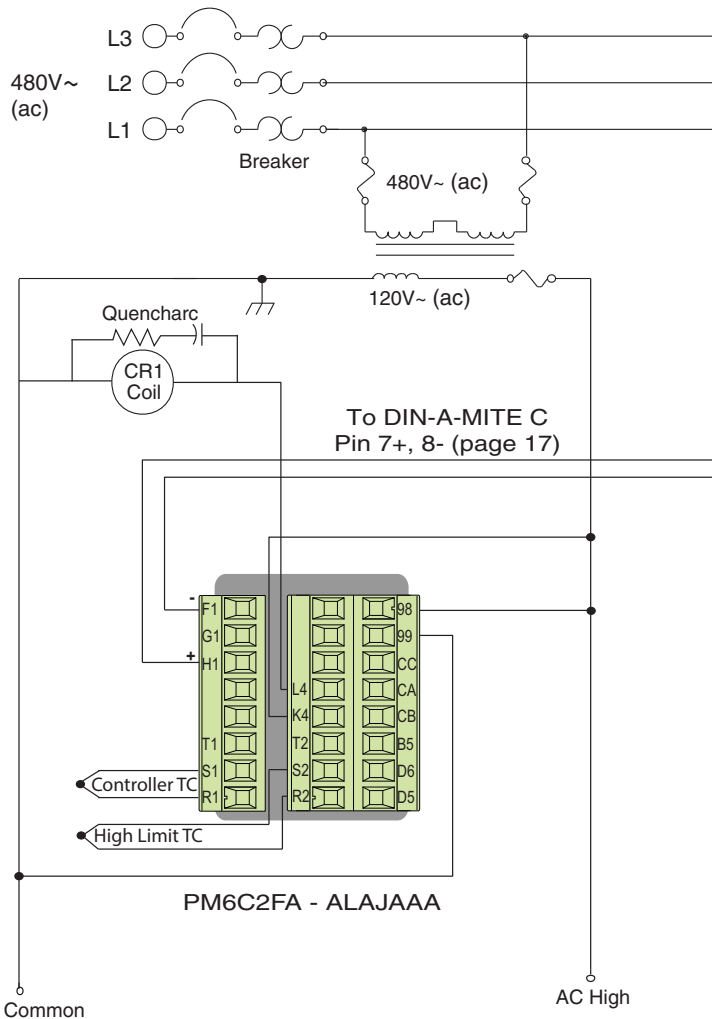


WARNING:
Wiring examples show L2 in phase-to-phase, 200 V~ (ac) and above configuration. In phase-to-neutral, 100 V~ (ac) and above applications, L2 is neutral and must not be fused or switched. Failure to follow this guideline could result in personal injury or death.



WARNING:
Only authorized and qualified personnel should be allowed to install and perform preventive and corrective maintenance on this unit. Failure to follow this guideline could result in damage to equipment, and personal injury or death.

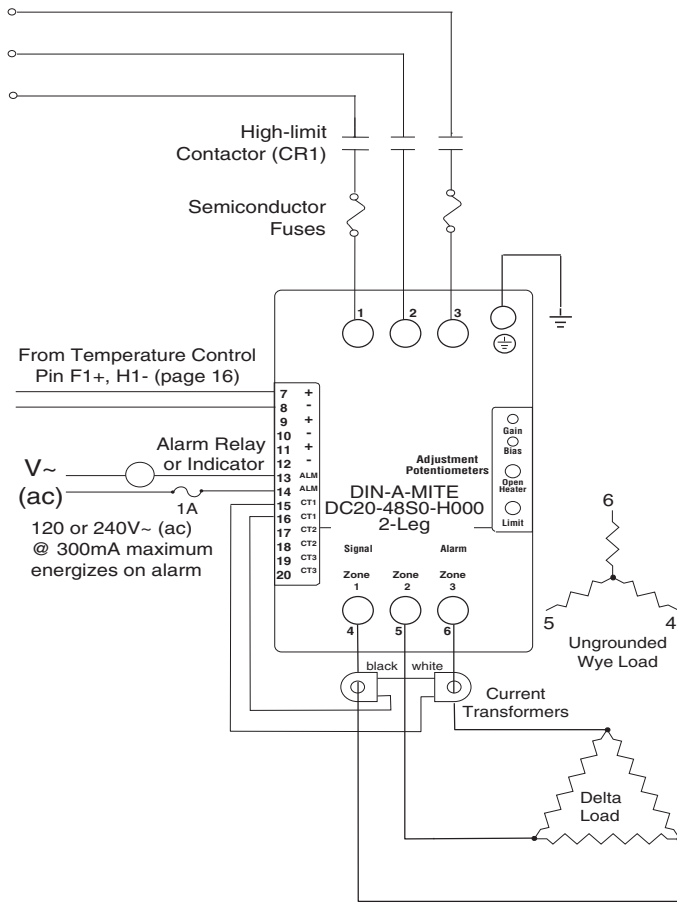
NOTE: If you plan to wire multiple DIN-A-MITE alarm outputs, you need to include an intermediate relay for each DIN-A-MITE used.



CR1 = High-Limit Contactor

Alternative Latching Alarm Circuit

If there is a need for a latching alarm in the case of an open heater or shorted SCR, the DIN-A-MITE alarm circuit could be used as shown in the latching alarm example at right. If the DIN-A-MITE triac alarm output energizes, it will energize the RY1 (external alarm relay) mechanical relay coil. Once the RY1 coil is energized it will latch on (via the RY1A normally open contact) until the power to the relay is removed. You could cycle the power via a reset switch. The RY1B contact set can be used for alarm signaling.



Non-latching Alarm Option
(models DC__ - __ S _ - H __)

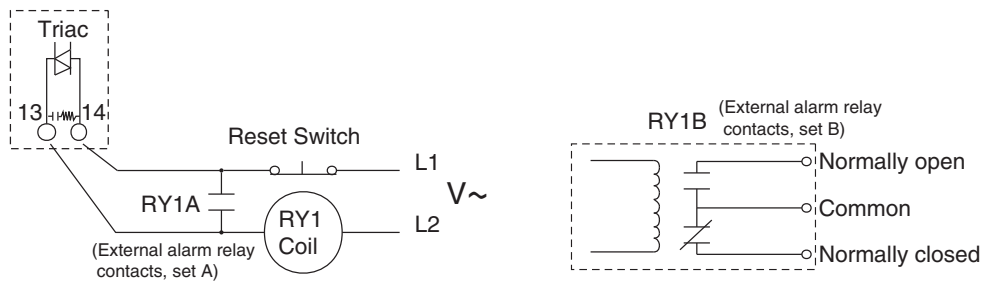
Open Heater and Shorted SCR Alarm

The shorted SCR detector compares the input command signal and actual load current. If load current is present without an input signal then the shorted SCR alarm will energize a triac (on board the DIN-A-MITE) output.

An open-heater or partial open-heater state is detected when a command signal is present and a reduced or no output current is detected. The alarm output is then energized.

This is a non-latching alarm. This output can be used to drive various indication devices, such as a coil, light, buzzer, etc. See the alternative latching circuit section below.

NOTE: The current transformers must be in the controlled legs on a 2-leg DIN-A-MITE. The load wires must pass through the current transformers in the same direction.



Latching Alarm Relay Circuit

Declaration of Conformity

DIN-A-MITE® “C” Power Controller

WATLOW Electric Manufacturing Company
1241 Bundy Blvd. Winona, MN 55987 USA



ISO 9001 since 1996.

Declares that the following products:

Designation: DIN-A-MITE® “C” Power Control
Model Numbers: DC(1, 2, 3, 8 or 9)(0, 1, 2, 3 or T) – (02, 12, 20, 24, 27, 40, 48 or 60) (CX, K1, K2, K3, FX, SX) - (0, H or S)(followed by any 3 numbers or letters) X = any number 0 - 9
Classification: Power Control, Installation Category III, Pollution degree 2, IP20
Rated Voltage: 24 to 600 V~ (ac), 50 or 60 Hz

Meets the essential requirements of the following European Union Directives by using the relevant standards show below to indicate compliance.

2004/108/EC Electromagnetic Compatibility Directive

EN 61326-1: 2013 Electrical equipment for measurement, control and laboratory use - EMC requirements (Industrial Immunity, Class A^{1,2,4} Emissions) Not for use in a Class B environment without additional filtering.

EN 61000-4-2:2009 Electrostatic Discharge Immunity
EN 61000-4-3:2010 Radiated Field Immunity 10V/m 80 MHz- 1GHz, 3V/m 1.4GHz-2.7GHz
EN 61000-4-4:2012 Electrical Fast-Transient / Burst Immunity
EN 61000-4-5:2006 Surge Immunity (Reviewed to IEC 61000-4-5 2014)
EN 61000-4-6:2014 Conducted Immunity
EN 61000-4-11:2004 Voltage Dips, Short Interruptions and Voltage Variations
EN 61000-3-2:2009 Harmonic Current Emissions (Reviewed to IEC 61000-3-2 2014)
EN 61000-3-3:2013 Voltage Fluctuations and Flicker³ ≤ 16A
EN 61000-3-11:2000 Voltage Fluctuations and Flicker ≤ 75A with conditional connection

NOTES

- ¹ Use of an external filter is required to comply with conducted emissions limits. See note 4 below.
² A Line Impedance Stabilization Network (LISN) was used for conducted emissions measurements.
³ To comply with flicker requirements, command signal models FX and SX will require a reduced source impedance. Cycle time on ON/OFF models CX, and K1, K2, K3 may need to be up to 175 seconds at 16A or have a reduced source impedance.

2006/95/EC Low-Voltage Directive

EN 50178:1997 Electronic equipment for use in power installations.

Per 2012/19/EU W.E.E.E Directive  Please Recycle Properly.

Compliant with 2011/65/EU RoHS2 Directive

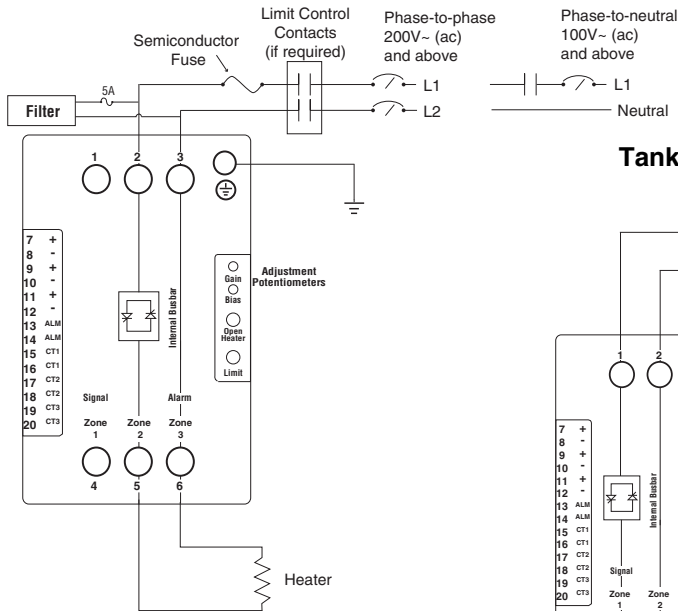
⁴ Required External EMI Filters for DIN-A-MITE with More Than 6 Amp Loads

An external ElectroMagnetic Interference (EMI) filter must be used in conjunction with the DIN-A- MITE for loads in excess of six amperes (6A) at 150 to 250 KHz. Watlow has verified that a tank filter will suppress EMI created by SCR power controllers to comply with the conducted emissions limits.

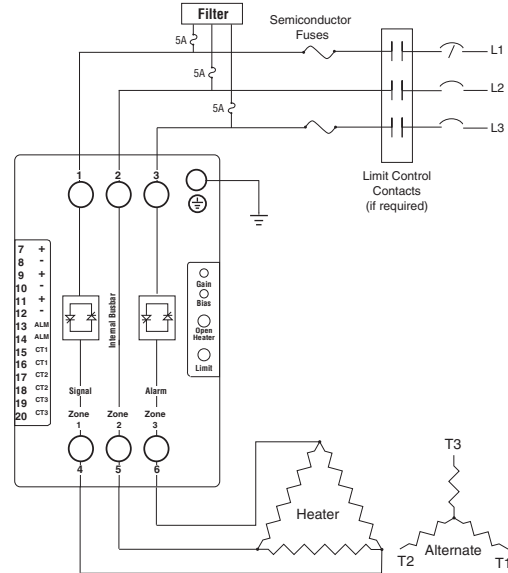
DIN-A-MITE EMI Filters		
Description	Crydom Filter	Watlow Filter
Single-phase, 230V~ (ac)	1F25	14-0019
Three-phase, 440V~ (ac)	3F20	14-0020



Tank Filter, Single Phase, 230V



Tank Filter, Three Phase, 440V



⚠ WARNING: Tank filters may suppress desirable communications carried on power lines in the 150 to 250 KHz region. The filters may suppress carrier current such as that used for infant monitors and medical alert systems. Verify that suppressed carrier current or other desirable communications on power lines creates no hazard to people or property. Failure to observe this warning could result in damage to property, and or injury to death for personnel.

⚠ WARNING: All filter installation and wiring must be performed by qualified personnel and conform to local and national electrical codes.

In-line power filters have been shown to properly suppress EMI; however, these filters must be rated for the entire load current and are generally more expensive than the tank filter specified. An In-line filter may be required if carrier current communications are used on site.

Joe Millanes
Name of Authorized Representative

Winona, Minnesota, USA
Place of Issue

Director of Operations
Title of Authorized Representative

September 2014
Date of Issue


Signature of Authorized Representative

Warranty

The Watlow DIN-A-MITE is warranted to be free of defects in material and workmanship for 36 months after delivery to the first purchaser for use, providing that the units have not been misapplied. Since Watlow has no control over their use, and sometimes misuse, we cannot guarantee against failure. Watlow's obligations hereunder, at Watlow's option, are limited to replacement, repair or refund of purchase price, and parts which upon examination prove to be defective within the warranty period specified. This warranty does not apply to damage resulting from transportation, alteration, misuse, abuse or improper fusing.

Returns

- Ship to address
 - Bill to address
 - Contact name
 - Phone number
 - Method of return shipment
 - Your P.O. number
 - Detailed description of the problem
 - Any special instructions
 - Name and phone number of the person returning the product
2. Prior approval and an RMA number, from the Customer Service Department, is required when returning any unused product for credit. Make sure the RMA number is on the outside of the carton, and on all paperwork returned. Ship on a Freight Prepaid basis.
3. After we receive your return, we will examine it and try to verify the reason for the return.
4. In cases of manufacturing defect, we will enter a repair order, replacement order or issue credit for material returned.
5. To return products that are not defective, goods must be in new condition, in the original boxes and they must be returned within 120 days of receipt. A 20 percent restocking charge is applied for all returned stock controls and accessories.
6. If the unit is unrepairable, it will be returned to you with a letter of explanation.
7. Watlow reserves the right to charge for no trouble found (NTF) returns.

The DIN-A-MITE C User's Manual is copyrighted by Watlow, Inc., © January 2015, with all rights reserved.