

# C300 Series Controller Analyzer

## Conductivity, TDS, Resistivity, Salinity



Corrosion-Free  
Instrumentation Equipment



- ✓ Large LCD display
- ✓ Intelligent menu operation
- ✓ SimpliCal® automatic calibration
- ✓ Manual + automatic temperature compensation
- ✓ Two (2) relays
- ✓ 4-20mA & RS485 outputs
- ✓ Multi-parameter display — simultaneously shows conductivity and temperature
- ✓ Password protection

### High Performance Industrial Controller Analyzer

The ProCon® C300 series is an extremely robust industrial conductivity controller analyzer.

The modular design is both easy to install and operate providing first measurement values in under one minute.

The C300 is packed with all the extra features included, no need to pay extra for relays, 4-20mA or RS485 outputs.

The SimpliCal® feature makes calibrating your sensor easier and quicker than ever before. The cost-saving quick and simple setup is done through our user-friendly step-by-step on-screen menu.

### Enclosure

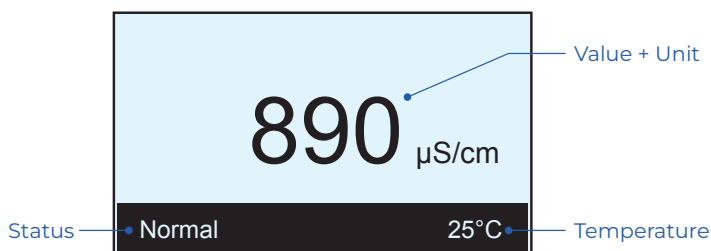
The C300 is packaged in a rugged polycarbonate enclosure making it ideally suited for heavy-duty applications. A mounting kit is included for surface and panel mounting. Pipe mounting kits are available.

**Cable Grip  
Wire Connector  
Combo**  
(no internal  
wiring required)

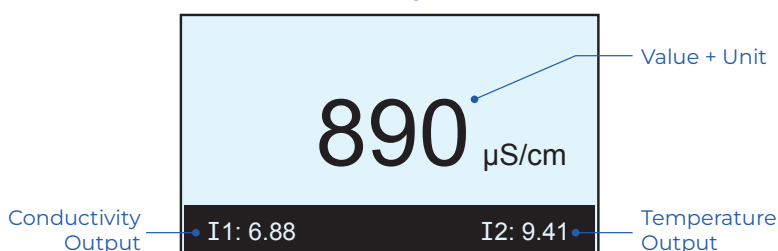


**SimpliConnect™**  
Cable Grip Connectors

Main Display



Conductivity Mode



# C300 Series Controller Analyzer

## Conductivity, TDS, Resistivity, Salinity



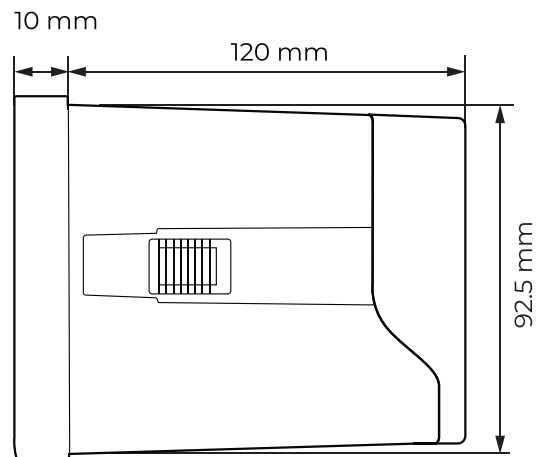
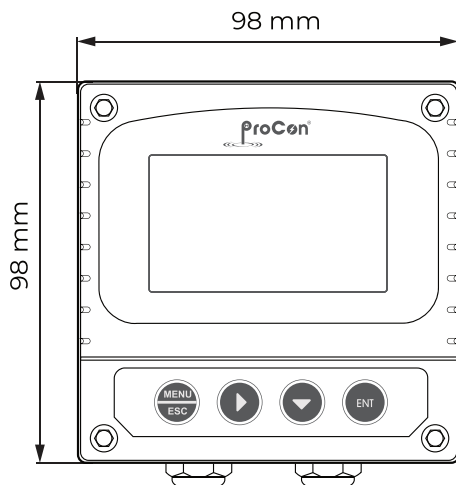
Corrosion-Free  
Instrumentation Equipment

### Technical Specifications



Measuring Range	0 – 500mS/cm
Resolution	0.1µS/cm   0.01mS/cm
Intrinsic Error	±0.5% F.S
Resistivity	0 – 18.25MΩ/cm
Resolution	0.01KΩ/cm   0.01MΩ/cm
TDS	0 – 250g/L
Resolution	0.01mg/L   0.01g/L
Salinity	0 – 700ppt
Resolution	0.01ppm   0.01ppt
Working Temperature	32 – 302°F   0 – 150°C
Temperature Compensation	Automatic or Manual
Outputs	Two (2) 4–20mA   20–4mA   0–20mA
Communication	RS485 MODBUS RTU
Relay Control Contact	5A 240VAC   5A – 28VDC
Power Supply	9 – 36VDC (std)   85 – 265VAC   Power Consumption 3W
Environmental Temperature	14 – 140°F   -10 – 60°C
Relative Humidity	≤ 90%
Enclosure Rating	IP65
Weight	0.5kg
Dimensions	98 × 98 × 130mm
Installation Opening Size	93 X 93mm
Installation methods	Panel   Pipe   Wall

### Dimensions



# C300 Series Controller Analyzer

## Conductivity, TDS, Resistivity, Salinity

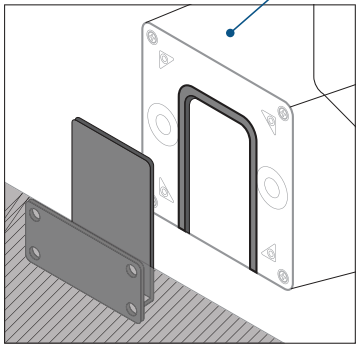
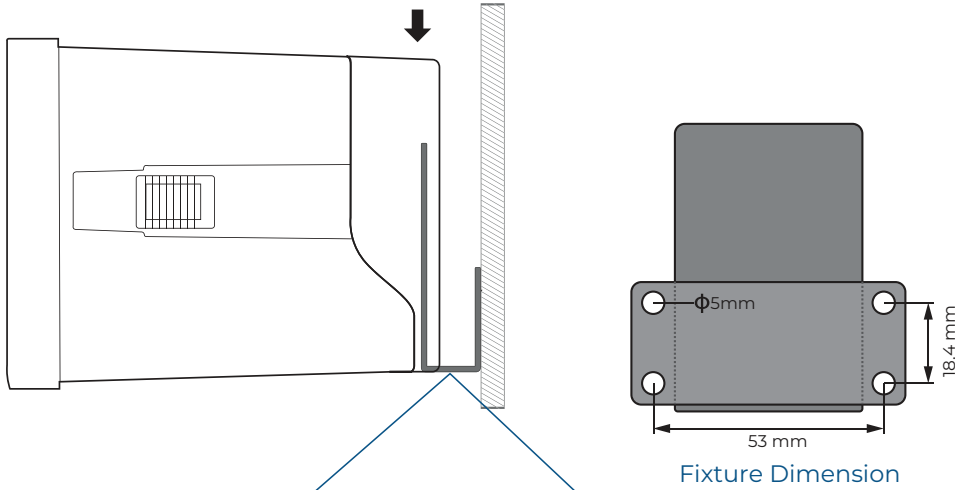


**ICON**™ Corrosion-Free  
PROCESS CONTROLS Instrumentation Equipment

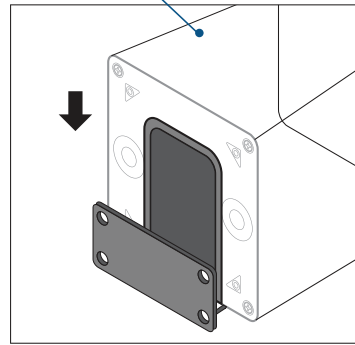
### Instrument Installation



#### Wall Mounting

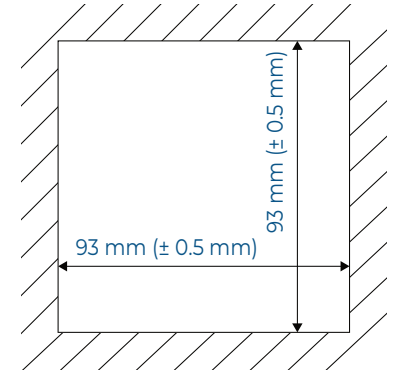


Install bracket on the wall first

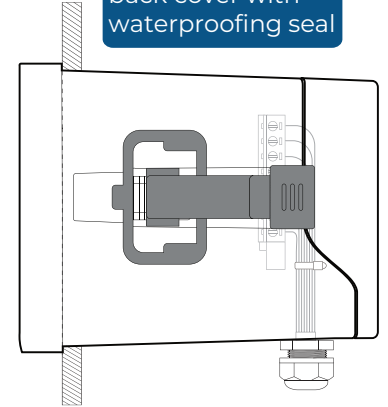


Insert into the fixture along the chute

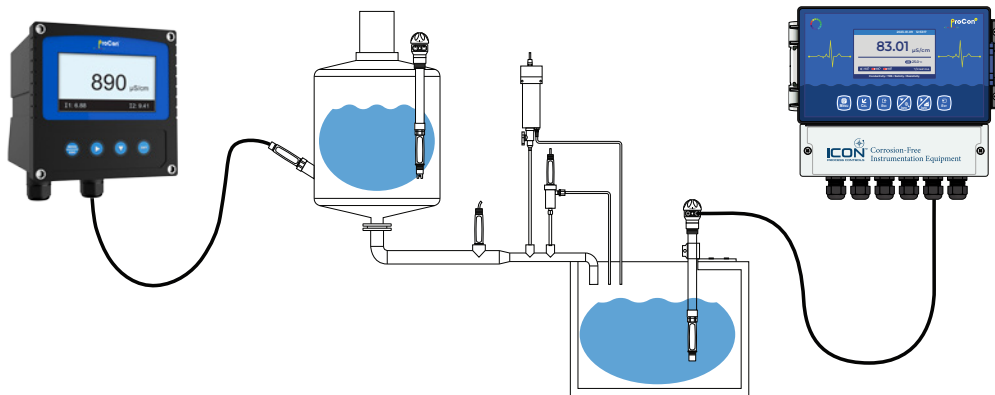
#### Control Panel Installation



Installation of back cover with waterproofing seal



### Typical Application

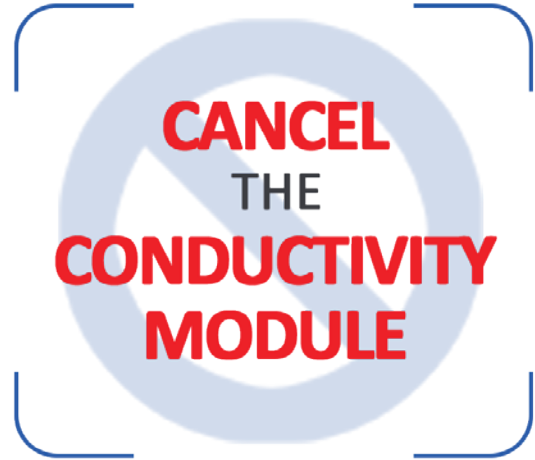


# C300 Series Controller Analyzer

## Conductivity, TDS, Resistivity, Salinity



Corrosion-Free  
Instrumentation Equipment



### Model Selection

#### C300 — Conductivity Controller (Economy)

Part Number	Power	Output	Power Cord	Display 1	Display 2
C300-4-D-N-C-0	24VDC	4-20mA + 2 Relays	No	Conductivity	Single Display
C300-4-D-Y-C-0	24VDC	4-20mA + 2 Relays	Yes	Conductivity	Single Display

Communication: RS-485 RTU Modbus

