

# Window Sights

**GASKETED WINDOW SIGHTS** have sights that are placed between two seals within the sight bodies, providing a leak tight seal.

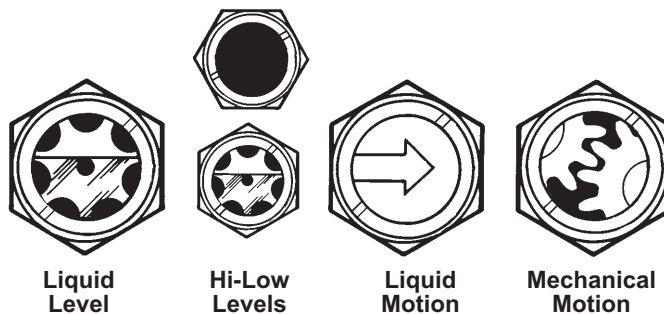
These window sights are used for fluid sighting on hydraulic tanks, pressure vessels, reservoirs, packaged power equipment, hydraulic lines and piping or most any application where oil or fluid inspection is essential.

An exclusive feature of these units is the new stainless steel reflector which maximizes visibility in poor light. The reflector will not tarnish, corrode or discolor under the most adverse conditions.

These sights are principally used to visually indicate liquid levels, observing liquid condition, fluid motion, mechanical movements, or tests performed with a safe enclosure. Two or more sights can be mounted so as to indicate High-Low or in-between levels.

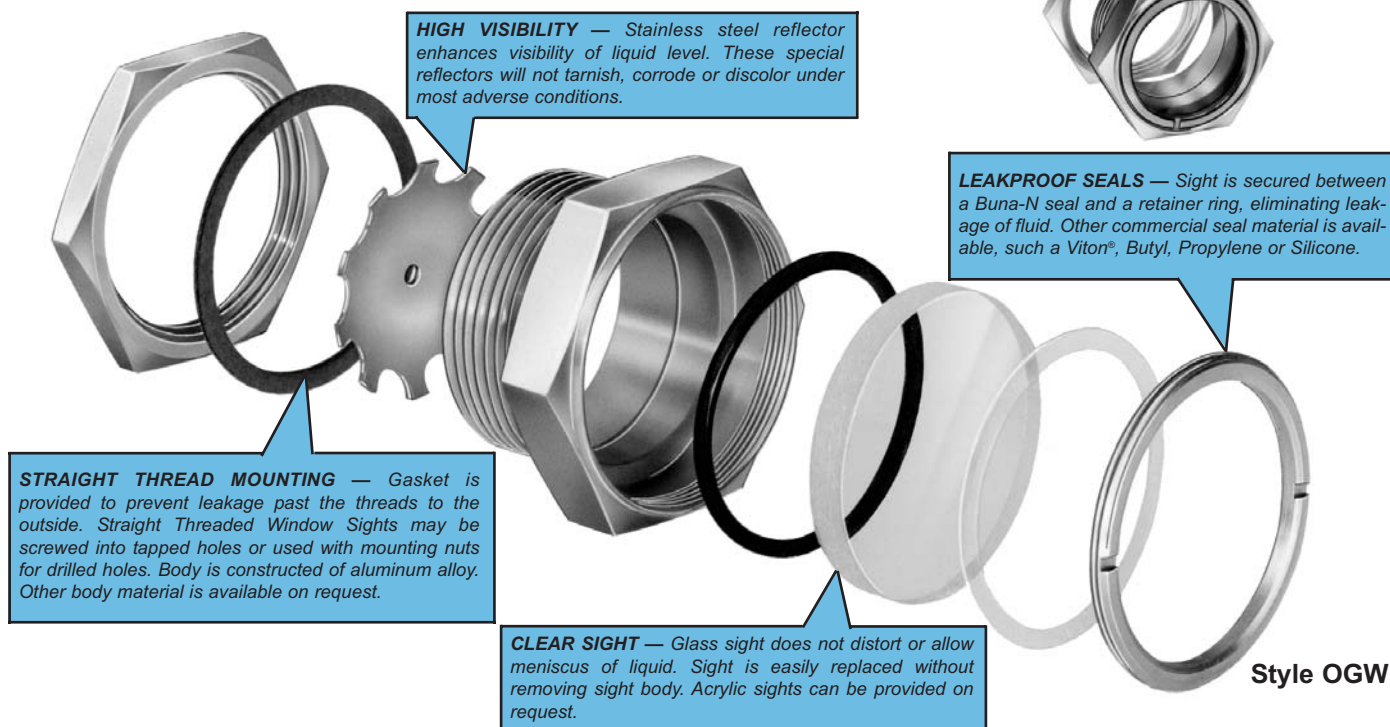
## SPECIFICATIONS:

- Pressure 125 P.S.I. Max. (See Chart Below)
- Temperature 225° F. Max.
- Body Aluminum Alloy
- Sight Glass
- Seals Buna-N (Other Commercial Seal Material Available on Request)
- Reflector Stainless Steel

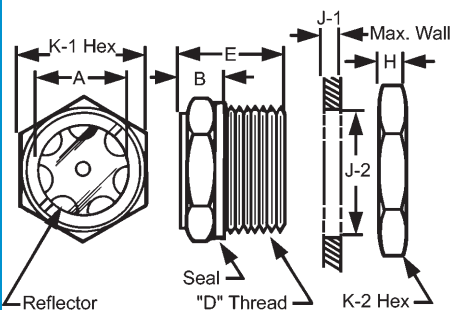


### When Ordering Specify:

- Catalog Number



Window Sights



Model Number		With Reflector		A	B	D	E	H	J-1	J-2	K-1	K-2	Max P.S.I.
With Nut	Less Nut	With Nut	Less Nut										
B-2394-1	B-2394-11			5/16	13/32	1/2-20	23/32	11/64	9/64	17/32	11/16	3/4	125
B-2394-2	B-2394-12	B-2396-1	B-2396-11	7/16	7/16	5/8-18	13/16	13/64	11/64	21/32	13/16	15/16	125
B-2394-3	B-2394-13	B-2396-2	B-2396-12	9/16	7/16	3/4-16	13/16	7/32	5/32	25/32	15/16	1 1/16	125
B-2394-4	B-2394-14	B-2396-3	B-2396-13	25/32	1/2	1-14	15/16	9/32	5/32	1 1/32	1 1/4	1 7/16	125
B-2394-5	B-2394-15	B-2396-4	B-2396-14	1	1/2	1 1/4-12	1	1/4	1/4	1 9/32	1 1/2	1 1/2	100
B-2394-6	B-2394-16	B-2396-5	B-2396-15	1 19/64	17/32	1 1/2-12	1 7/32	1/4	7/16	1 17/32	1 3/4	1 3/4	50
B-2394-7	B-2394-17	B-2396-6	B-2396-16	1 17/32	19/32	1 3/4-12	1 9/32	1/4	7/16	1 25/32	2	2	50
B-2394-8	B-2394-18	B-2396-7	B-2396-17	1 31/32	19/32	2 1/4-12	1 9/32	1/4	7/16	2 9/32	2 1/2	2 1/2	50

# Window Sights

## Gasketed Window Sights w / N.P.T. Mtg.

### SPECIFICATIONS:

- Pressure 125 P.S.I. Max.
- Temperature 225° F. Max.
- Body Steel, Plated
- Sight Glass
- Seals Buna-N (Other Commercial Seal Material Available on Request)
- Reflector Stainless Steel

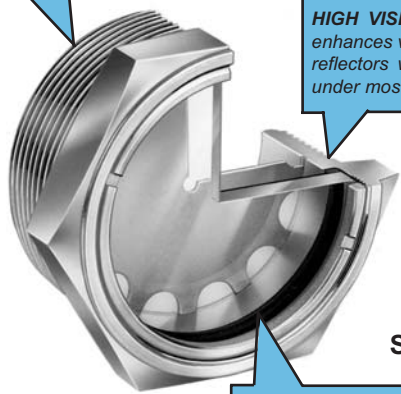
### When Ordering Specify:

- Catalog Number

**MOUNTING** — Plated body is made of sturdy hexagon steel and features various NPT sizes which can be mounted in any ordinary pipe thread. Other body materials available on request.



**HIGH VISIBILITY** — Stainless steel reflector enhances visibility of liquid level. These special reflectors will not tarnish, corrode or discolor under most adverse conditions.



Style OGW

**CLEAR SIGHT** — Gasketed glass sight does not distort or allow meniscus of liquid. Sight is easily replaced without removing sight body. Acrylic sight can be provided on request.

## Fused Window Sights w / N.P.T. Mtg.

### SPECIFICATIONS:

- Pressure 125 P.S.I. Max.
- Temperature 250° F. Max.
- Body Steel, Plated
- Sight Glass
- Reflector Stainless Steel

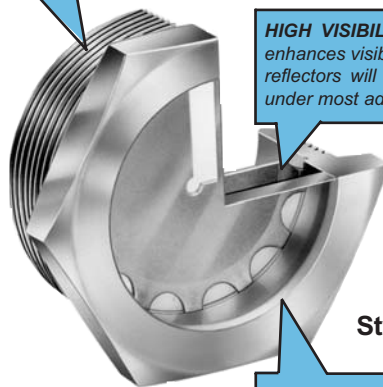
### When Ordering Specify:

- Catalog Number

**MOUNTING** — Plated body is made of sturdy hexagon steel and features various NPT sizes which can be mounted in any ordinary pipe thread.

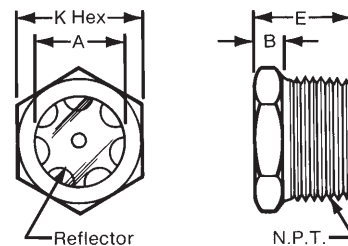
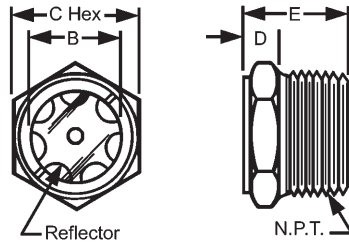


**HIGH VISIBILITY** — Stainless steel reflector enhances visibility of liquid level. These special reflectors will not tarnish, corrode or discolor under most adverse conditions.



Style OGW

**LEAKPROOF** — Sight is fused to steel body by special process providing a leakproof seal without O-Rings. This unit can withstand severe thermal shock.



Catalog Number		NPT Size	B	C	D	E
Less Reflector	With Reflector					
B-1740-1	—	1/4	5/16	5/8	11/32	25/32
B-1740-2	B-1740-12	3/8	15/32	3/4	3/8	7/8
B-1740-3	B-1740-13	1/2	19/32	15/16	3/8	15/16
B-1740-4	B-1740-14	3/4	25/32	1 1/16	7/16	1 1/16
B-1740-5	B-1740-15	1	1	1 3/8	7/16	1 3/16
B-1740-6	B-1740-16	1 1/4	1 19/64	1 3/4	15/32	1 9/32
B-1740-7	B-1740-17	1 1/2	1 17/32	2	17/32	1 11/32
B-1740-8	B-1740-18	2	1 31/32	2 1/2	17/32	1 13/32

Catalog Number		NPT Size	A	B	E	K
Less Reflector	With Reflector					
A-2890-1	—	1/4	11/32	3/16	5/8	5/8
A-2890-2	A-2890-12	3/8*	7/16	3/16	3/4	3/4
A-2890-3	A-2890-13	1/2	9/16	7/32	25/32	15/16
A-2890-4	A-2890-14	3/4*	3/4	5/16	1 1/16	1 1/16
A-2890-5	A-2890-15	1	15/16	5/16	1 1/16	1 3/8
A-2890-6	A-2890-16	1 1/4	1 3/16	13/32	1 7/32	1 3/4
A-2890-7	A-2890-17	1 1/2	1 7/16	13/32	1 7/32	2
A-2890-8	A-2890-18	2	1 7/8	13/32	1 9/32	2 1/2

# Specialized Liquid Level Gages

**DRUM GAGE with FAUCET** determines level and condition of oils, solvents, chemicals, water and any other fluids stored in steel drums. Fits standard 55 gallon drums. Provides instant visual checks with extreme accuracy to aid in measurement and inventory control. Ideal for indoor or outdoor use.

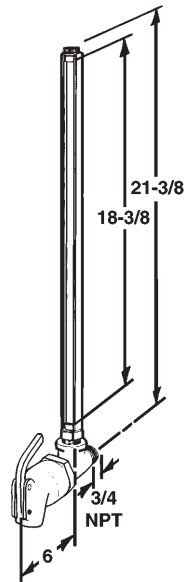
Channel body is made of rigid steel, plated to resist rust. Clear gage glass is housed within channel providing maximum protection. Brass faucet resists rust and corrosion and automatically shuts off when released, thus preventing unwanted waste. A means in which the faucet can be locked is provided.

**SPECIFICATIONS:**

- Pressure Atmospheric Pressure (Sight is Vented)
- Temperature 225° F. Max.
- Body Steel, Plated
- Sight Gage, Glass
- Seals Buna-N
- Valve Brass

**When Ordering Specify:**

- Catalog Number



Catalog Number	B-2550-1
----------------	----------

**FUSED WINDOW SIGHTS with ALUMINUM BALL** are principally used to visually indicate liquid level and liquid condition. Two or more sights can be used to show High-Low or in-between levels.

An aluminum ball is placed between the glass sight and the stainless steel reflector which provides maximum visible observation of the liquid level.

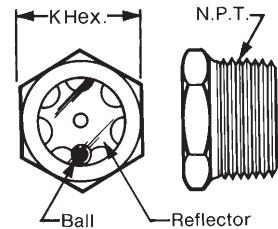
For utmost reliability, these window sights can be used for fluid sighting on hydraulic tanks pressure vessels, reservoirs, packaged power equipment, hydraulic lines and piping, or most any application where oil or fluid inspection is essential.

**SPECIFICATIONS:**

- Pressure 125 P.S.I. Max.
- Temperature 250° F. Max.
- Body Steel, Plated
- Sight Glass
- Ball Aluminum
- Reflector Stainless Steel

**When Ordering Specify:**

- Catalog Number



Catalog Number	NPT Size	K Hex.
A-4959-1	1	1 <sup>3</sup> / <sub>8</sub>
A-4959-2	3/8 NPTF	3/4
A-4959-3	1/2	15/16
A-4959-4	3/4 NPTF	1 <sup>1</sup> / <sub>16</sub>
A-4959-5	1 <sup>1</sup> / <sub>4</sub>	1 <sup>3</sup> / <sub>4</sub>
A-4959-6	1 <sup>1</sup> / <sub>2</sub>	2
A-4959-7	2	2 <sup>1</sup> / <sub>2</sub>