

AcuSplitCT Series 075R/100R/125R/200R/3135R/4161R/5170R

Split Core Current Transformer

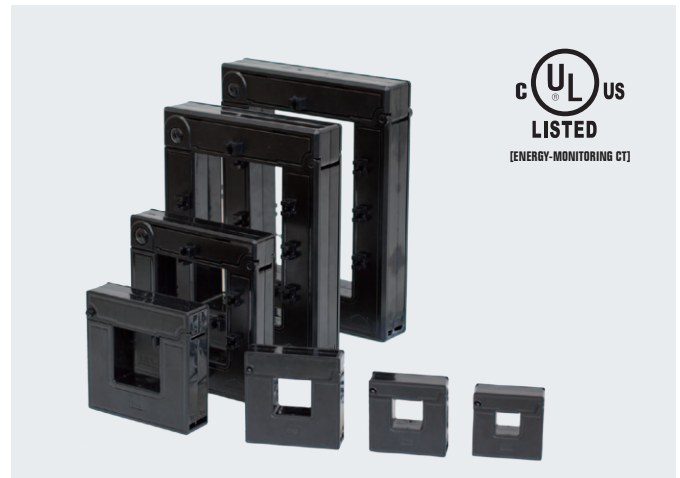
The Accuenergy split core CTs are compact and low-cost current transformers with high accuracy. The CTs are ideal for quick and easy installation without disconnecting cables during installation. Multiple installation mechanisms provide stable and durable current measurement.

FEATURES

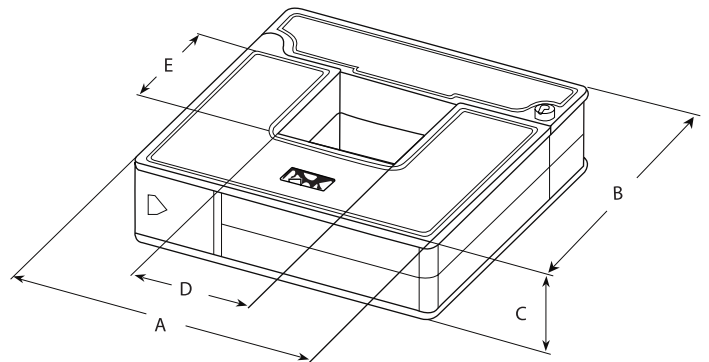
- Multiple output including 5A, 1A, 100mA, 333mV
- Simple hinged installation
- Can be installed on cable, bus and panel
- Standard Window size from 0.75 to 5 by 7 inch
- Listed to UL2808, 61010-1 and CSA 22.2

SPECIFICATIONS

Rated Primary Current	5A to 5000A
Rated Output	5A, 1A, 100mA, 333mV
Withstand Voltage	5,000Vac
Operating Amb. Temperature	-15°C to 65°C
Accuracy	IEC 60044-1 0.5s class
Lead	8 ft(2.5m) UL 1015 22AWG
Construction	UL enclosure rated to 135°C
Certification	UL listed UL2808, 61010-1 and CSA 22.2



DIMENSIONS



SIZE CHART

P/N	Dimensions (inch/mm)					Rated Input	Rated Output
	A	B	C	D	E		
AcuCT-075R	2.3/58.0	2.3/58.0	0.9/22.0	0.75/19.5	0.75/19.5	1-150A	5A: 5A output
AcuCT-100R	2.6/65.0	2.6/65.0	0.9/22.0	1.0/25.0	1.0/25.0	5-250A	1A: 1A output
AcuCT-125R	3.2/82.0	3.2/82.0	0.9/22.0	1.25/32.0	1.25/32.0	5-400A	100mA: 100mA output
AcuCT-200R	4.4/111.0	4.4/111.0	1.25/32.0	2.0/51.0	2.0/51.0	5-1000A	333mV: 333mV output
AcuCT-3135R	5.7/144.0	6.1/154.0	1.25/32.0	3.1/80.0	3.5/90.0	5-1500A	
AcuCT-4161R	7.3/185.0	9.3/235.0	1.8/45.0	4.1/105.0	6.1/155.0	5-5000A	
AcuCT-5170R	8.3/210.0	10.2/260.0	1.8/45.0	5.1/130.0	7.0/180.0	5-5000A	

ORDERING INFORMATION

	Size	Rated Input	Rated Output
Ordering Number	-	-	-
Ordering Example	AcuCT - 100R	- 50	- 5A
	075R: 0.75×0.75 inch Window	20: 20A rated input	5A: 5A output
	100R: 1×1 inch Window	50: 50A rated input	1A: 1A output
	125R: 1.25×1.25 inch Window	100: 100A rated input	100mA: 100mA output
	200R: 2×2 inch Window	.	333mV: 333mV output
	3135R: 3.1×3.5 inch Window	.	
	4161R: 4.1×6.1 inch Window	.	
	5170R: 5.1×7.0 inch Window	5000: 5000A rated input	



Your Power and Automation Partner