



VX Series

Standard Floor Scales and Platforms



VX Series shown with optional ramp

VX Series Platform with T32XW indicator



Counting function is not legal for trade

Performance, Ruggedness, OHAUS Quality & Value

The OHAUS VX Series is a portable low-profile floor platform and indicator scale package. It is the ideal solution for freight consolidators, forwarders, processing plants, resellers, shipping and receiving departments, as well as startup businesses. Quick connects and factory calibration allows the package to operate out-of-the-box with minimal setup. This time saving solution combines a 5000d NTEP approved floor scale (VX2500L and VX5000L) and a stainless steel NEMA 4X/IP65 indicator (T32XW) featuring an RS232 interface, high-visibility backlit LCD display, counting function and easy-to-operate positive feedback keys.

Standard Features Include:

- 2,500 lb, 5,000 lb, and 10,000 lb scale capacities
- 4' x 4' and 5' x 5' platforms with structural bracing that ensures a rigid construction
- 3/16" (up to 5,000 lb models) and 1/4" (10,000 lb models) thick top plate with raised cross-hatch surface for added durability and slip resistance
- Four IP67 nickel plated alloy steel load cells
- Side access NEMA4X/IP65 dust and water protected junction box with 25' long cable
- Features eye bolt mounting holes to allow easier lifting and positioning of the platform
- Factory-wired and pre-calibrated with OHAUS T32XW stainless steel indicator featuring:
 - 304 stainless steel construction with NEMA 4X/IP65 protection
 - Backlit LCD display with high-visibility 1" high digits
 - Five weighing units (lb, kg, g, oz, lb:oz)
 - Piece counting mode for warehousing and inventory applications
 - Wall mount bracket included
 - Rechargeable lead acid battery operation

VX Series Standard Floor Scales and Platforms

VX Series Floor Scales Include The Durable T32XW Indicator

T32XW Features:

- Large 1" high digit backlit LCD display quickly displays results in a choice of either lb, or kg, as well as oz, lb:oz or g. lb:oz not available in NTEP certified operation. The power-on unit is selectable, and either one or more units can be turned off for easier use.
- Includes Counting Mode with a minimum Average Piece Weight of 1d, selectable sample sizes, automatic retention of last sample size used and Average Piece Weight. For installations where Counting Mode is not required, the parts counting software can be selected off.
- Built-in bidirectional RS232 interface for printing or connection to PC. Printing intervals can be set to manual (using Print key), continuous, on stable weight, or an interval between 1 second and 60 minutes.
- Geographical gravity correction software allows quick adjustment of calibration to local conditions without need for recalibration of the VX Floor Scale. All VX Floor Scales are factory calibrated in the U.S. and must be set to match local gravity situation.
- Durable membrane switch keypad with dedicated Print, Tare and Function keys for quick and easy operation
- The T32XW can be wall or table mounted using the included wall mount bracket for full tilt adjustment of the indicator.
- Software lockouts of menu operations for setup, readout, mode, unit and print menu options. In NTEP certified operation, certain menu options are automatically locked-out.



Indicator Accessories

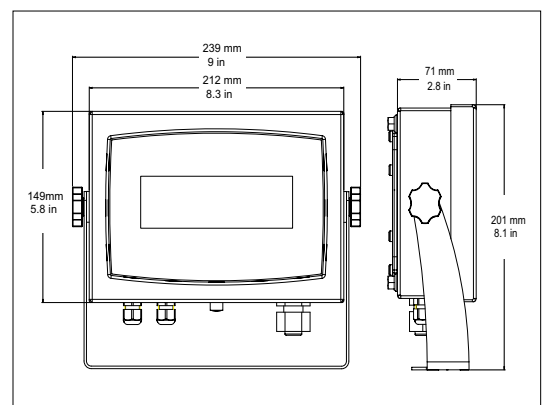
SF40A Statistical Impact Printer	30064203
STP-103 Thermal Printer.....	80251992
RS232 Cable.....	80500552
Software, Winwedge	80850080
Interface Kit, RS232-USB	30304101
Interface Kit, RS232-Ethernet	30304102

Options

Foot Kit, Set (4),	80252545
Foot Plate, Set (2), Painted	80252548
Bolt Kit, Floor	80252838
Floor Stand Indicator Kit, Painted	30047153
Floor Stand Indicator Kit, Stainless Steel.....	30047154
Ramp, 48 in wide x 48 in long, 2.5K/5K	80252766
Ramp, 60 in wide x 48 in long, 5K,	80252767
Ramp, 48 in wide x 48 in long, 10K	80252795
Ramp, 60 in wide x 48 in long, 10K	80252796

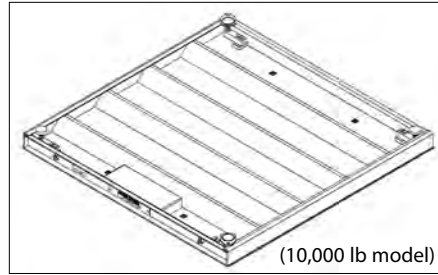
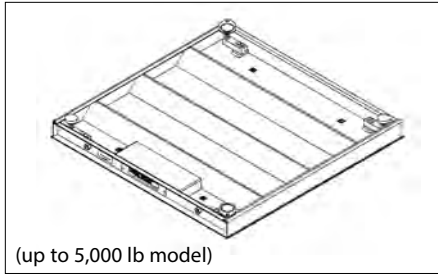


Dimensions



Standard Features

OHAUS VX Series Floor Scales and Platforms



Welded steel rib and thick top plate design provides structural stiffness



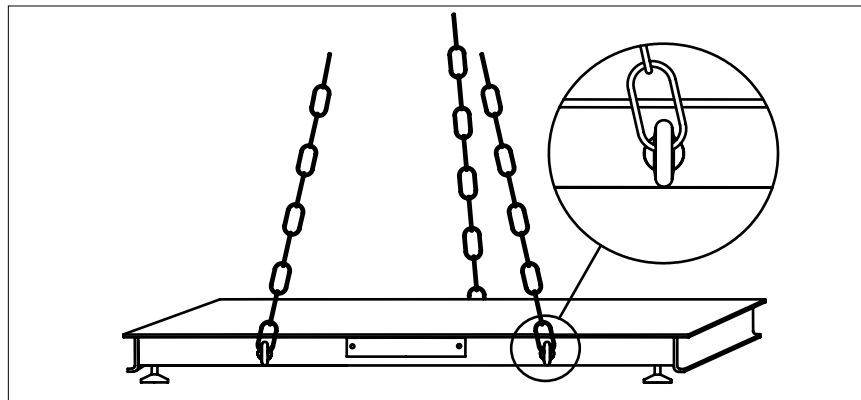
NEMA 4X/IP65 plastic Side-Access Junction Box with IP67 load cells limits effect of water on base



Fixed location foot mounting plates (set of two)



Ball-in-cup design feet attached to each loadcell



Features eyebolt (not included) mounting holes on sides (up to 5,000 lb models) or on top (10,000 lb models) to allow easier lifting and positioning

VX Series Standard Floor Scales and Platforms

Model	VX32XW2500L	VX32XW5000L	VX32XW10000L	VX32XW5000X	VX32XW10000X
Dimensions (W × D × H)	4' × 4' × 4.5" / 1,219 × 1,219 × 115 mm			5' × 5' × 4.5" / 1,524 × 1,524 × 115 mm	
Deck Material	Painted Carbon Steel, treaded surface, fixed top plate				
Deck Thickness	3/16"		1/4"	3/16"	1/4"
Capacity × Readability	2,500 lb × 0.5 lb / 1,000 kg × 0.2 kg	5,000 lb × 1 lb / 2,200 kg × 0.5 kg	10,000 lb × 2 lb / 4,500 kg × 1 kg	5,000 lb × 1 lb / 2,200 kg × 0.5 kg	10,000 lb × 2 lb / 4,500 kg × 1 kg
NTEP Resolution	NTEP 5000d	NTEP 5000d	N/A	N/A	N/A
Maximum Central Load	100% of maximum capacity				
Safe End Load Capacity	100% of maximum capacity				
Load Cell	4 × Shear Beam, IP67, nickel plated alloy steel				
Junction Box	Side panel access, IP65 plastic case with 25' indicator cable				
Feet	4 × Ball-in-cup design, adjustable height				
Operating Temperature	50 °F to 104 °F / 10 °C to 40 °C				
Indicator Model	T32XW				
Indicator Construction	304 stainless steel, NEMA4X/IP65 dust and water protection				
Weighing Units	lb, kg, oz, g, lb-oz				
Modes	Weighing, Counting* (min APW 1d)				
Display	1 in / 25 mm high, 6-digit, 7-segment, bright white backlit LCD				
Keypad	4-button, raised with tactile positive feedback membrane switches				
Stabilization Time	Within 2 seconds				
Auto-zero Tracking	Off, 0.5, 1 or 3d				
Zeroing Range	0%, 2% or 100% of capacity				
Span Calibration	5 lb or kg to 100% of capacity				
Interface	RS232, bi-directional				
Power	100-240 VAC / 50-60 Hz, internal power supply				
Battery	Internal rechargeable sealed lead acid battery (58-hour operation on full charge)				
Indicator Dimensions (W × D × H)	8.3 × 2.8 × 5.8 in / 212 × 71 × 149 mm				
Scale Shipping Dimensions (W × D × H)	60 × 48 × 14 in / 1,524 × 1,220 × 356 mm			72 × 60 × 14 in / 1,829 × 1,524 × 356 mm	
Scale Net Weight	330 lb / 150 kg		430 lb / 195 kg	450 lb / 204 kg	615 lb / 279 kg
Scale Shipping Weight	330 lb / 150 kg		430 lb / 195 kg	450 lb / 204 kg	615 lb / 279 kg

*Counting feature not NTEP certified

Compliance

- **Safety and EMC:** EN60950, EN61326, FCC, CE, cUL_{us}
- **Legal for Trade (Made from Certified weighing components):**
NTEP: T32XW Indicator: CC 08-066A1 / VX Platform: CC 08-069 / Load cells: CC 91-043A4
- **Quality:** OHAUS quality management system registered to ISO 9001:2008

74469_F © Copyright OHAUS Corporation

