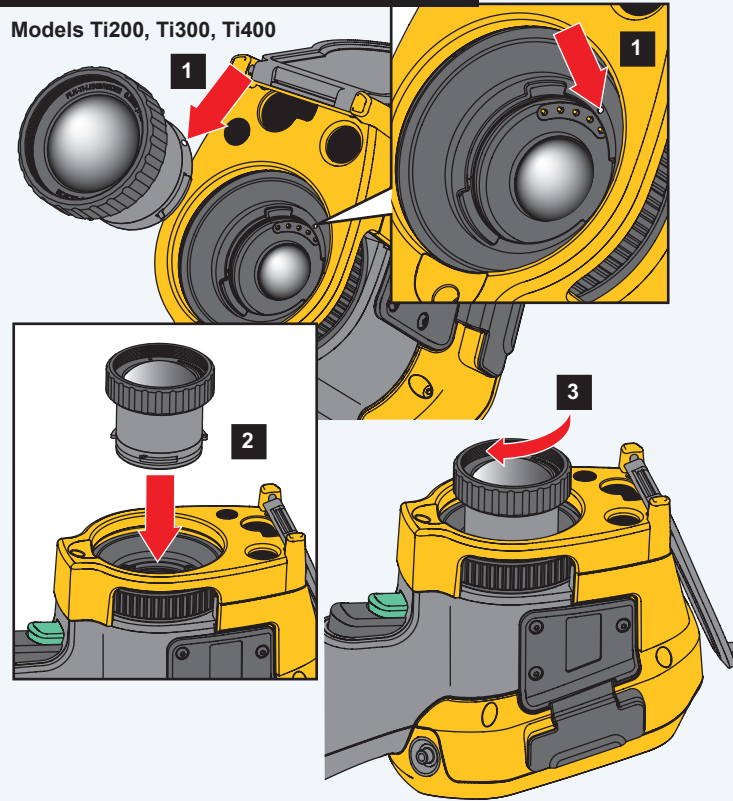
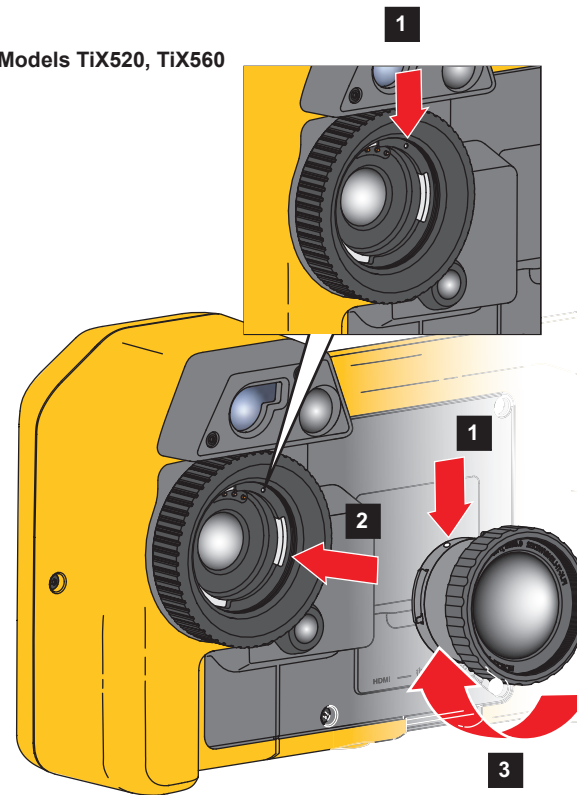


Attachment and Removal of Optional Lenses

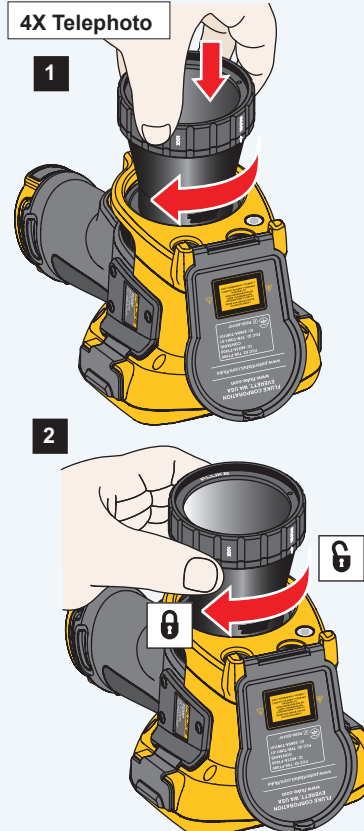
Models Ti200, Ti300, Ti400



Models TiX520, TiX560



4X Telephoto



FLK-LENS/TELE2
FLK-LENS/WIDE2
FLK-LENS/4XTELE2
FLK-LENS/25MAC2
Optional Lenses



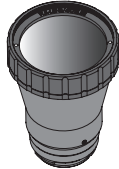

Instruction Sheet

PN 4574065 March 2015
 © 2015 Fluke Corporation. All rights reserved.
 All product names are trademarks of their respective companies. Specifications are subject to change without notice.

Lens Reference Table

Optional lenses are available for Fluke Thermal Imagers. These lenses expand the flexibility and allow more applications for infrared inspection work. Lenses are compatible with models Ti200, Ti300, Ti400, TiX520, and TiX560.

Infrared Lenses

Model	Field of View	Spatial Resolution (IFOV)	Minimum Focus Distance
 FLK-LENS/TELE2 2x Telephoto	12 ° x 9 °	0.65 mRad	45 cm (18 in)
 FLK-LENS/WIDE2 Wide-angle	46 ° x 34 °	2.62 mRad	15 cm (6 in)
 FLK-LENS/4XTELE2 4x Telephoto	6.0 ° x 4.5 °	0.33 mRad	1.5 m (5 ft)
 FLK-LENS/25MAC2 25-micron macro	36.1 ° x 27.1 °	1.97 mRad	Optimal Focus Distance 10.2 mm (0.4 in)
<i>Note: The spatial resolution listed is based on use with a 320 x 240 camera.</i>			

How to Install Optional Lenses

To install an optional lens on the Imager:

1. Remove the lens cover.
2. Position the optional lens onto the Imager by aligning the dot on the lens with the dot on the Imager. See the illustration for more information.
3. Gently push optional lens into position and rotate clockwise until lens locks into proper position.

When finished with the optional lens, remove it from the Imager:

1. Gently push in on the optional lens and rotate counter-clockwise until lens disengages from Imager.
2. Remove optional lens and attach the lens cover.
3. Place the lens in storage case.

Note

For the best protection and longest life, always store an optional lens in its protective case with the lens cover on.

LIMITED WARRANTY AND LIMITATION OF LIABILITY

This Fluke product will be free from defects in material and workmanship for one year from the date of purchase. This warranty does not cover fuses, disposable batteries, or damage from accident, neglect, misuse, alteration, contamination, or abnormal conditions of operation or handling. Resellers are not authorized to extend any other warranty on Fluke's behalf. To obtain service during the warranty period, contact your nearest Fluke authorized service center to obtain return authorization information, then send the product to that Service Center with a description of the problem.

THIS WARRANTY IS YOUR ONLY REMEDY. NO OTHER WARRANTIES, SUCH AS FITNESS FOR A PARTICULAR PURPOSE, ARE EXPRESSED OR IMPLIED. FLUKE IS NOT LIABLE FOR ANY SPECIAL, INDIRECT, INCIDENTAL OR CONSEQUENTIAL DAMAGES OR LOSSES, ARISING FROM ANY CAUSE OR THEORY. Since some states or countries do not allow the exclusion or limitation of an implied warranty or of incidental or consequential damages, this limitation of liability may not apply to you.

11/99