



Series
43000

Capsu-Photohelic® Pressure Switch/Gages

Lo-Limit and Hi-Limit Control, Aluminum or Brass Case Available

PRESSURE

Differential Pressure
Gages/Switches, Dial

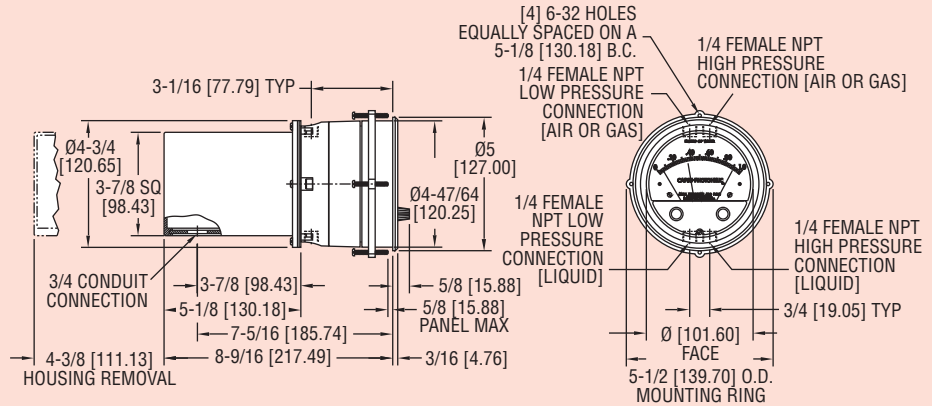
Set points are instantly adjusted with front knobs.



Series 43000
Capsu-Photohelic® Switch/Gage.



Series 43000
Capsu-Photohelic®
Switch/Gage with Brass Body



Capsu-Photohelic® Switch/Gages function as versatile, highly repeatable pressure switches combined with a precise pressure gage employing the time-proven Magnehelic® gage design. The Capsu-Photohelic® gage employs an encapsulated sensing element for use with both liquids and gases at pressures to 500 psig (34 bar). Optional cast brass case is available for water or water based liquids.

Two phototransistor actuated, DPDT relays are included for low/high limit control. Easy to adjust setpoint indicators are controlled by knobs located on the gage face. Individual setpoint deadband is one pointer width – less than 1% of full-scale. Setpoints can be interlocked to provide variable deadband – ideal for control of pumps, etc.

ACCESSORY

A-298, Flat Aluminum Bracket for Flush Mounting

SPECIFICATIONS

GAGE SPECIFICATIONS

Service: Compatible gases and liquids. Brass case option required for water based liquids.

Wetted Materials: Consult factory.

Accuracy: ±3% of FS at 70°F (21.1°C). ±4% on 43215, 43220 and 43500.

Pressure Limits: -20 Hg to 500 psig (-0.677 to 34.5 bar).

Temperature Limits: 20 to 120°F (-6.67 to 48.9°C). Low temperature option available.

Process Connections: 1/4" female NPT.

Size: 4" (101.6 mm) dial face, 5" (127 mm) OD x 9-3/16" (233.36 mm).

Weight: 5 lb, 8 oz (2.49 kg). Brass 11 lb, 2 oz (5.05 kg).

SWITCH SPECIFICATIONS

Switch Type: Each setpoint has 2 form C relays (DPDT).

Repeatability: ±1% of FS.

Electrical Rating: 10A @ 120 VAC, 6A @ 240 VAC, 60 Hz res. 10A @ 28 VDC.

Electrical Connections: Screw terminals.

Power Requirements: 120 VAC, 50/60 Hz; 240 VAC & 24 VAC power optional.

Mounting Orientation: Diaphragm in vertical position. Consult factory for other position orientations.

Set Point Adjustment: Adjustable knobs on face.

Model	Range, in w.c.	Model	Range, in w.c.	OPTIONS
43000-0	0-5	43060	0-60	Single Contact , right set point, for actuation on increasing or decreasing pressure. Power Supply , 24 VAC or 220 VAC powered relay pack. Remote-Mounted Relay , relay pack may be mounted remotely from gage. Specify cable length required. Tamper-proof Knobs , low temperature option, special scales, voltages and other features and modifications are available. Special Housings available include Weatherproof (NEMA 4) and Explosion-proof (NEMA 7 C, D, 9 E, F, G; NEC Class I, Div. 1 & 2, Groups C, D, Class II, Div. 1 & 2, Groups E, F, G, Class III. Contact Customer Service for detailed dimension drawings. Brass Body , for water based liquids order optional brass case by adding "B" to the end of the model number. Example: 43001B NIST traceable calibration certificate , add suffix -NIST to model numbers. Example: 43001-NIST.
43001	0-1.0	43080	0-80	
43002	0-2.0	43100	0-100	
43003	0-3.0	43150	0-150	
43004	0-4.0	43200	0-200	
43005	0-5.0	43300	0-300	
43006	0-6.0	43400	0-400	
43008	0-8.0	43500	0-500	
43010	0-10	43302	1-0-1	
43015	0-15	43304	2-0-2	
43020	0-20	43310	5-0-5	
43025	0-25	43320	10-0-10	
43030	0-30	43330	15-0-15	
43040	0-40			
43050	0-50			

Process Tubing Options: See page 547 (Gage Tubing Accessories)

