

EI Series Bimetal Thermometers

FEATURES

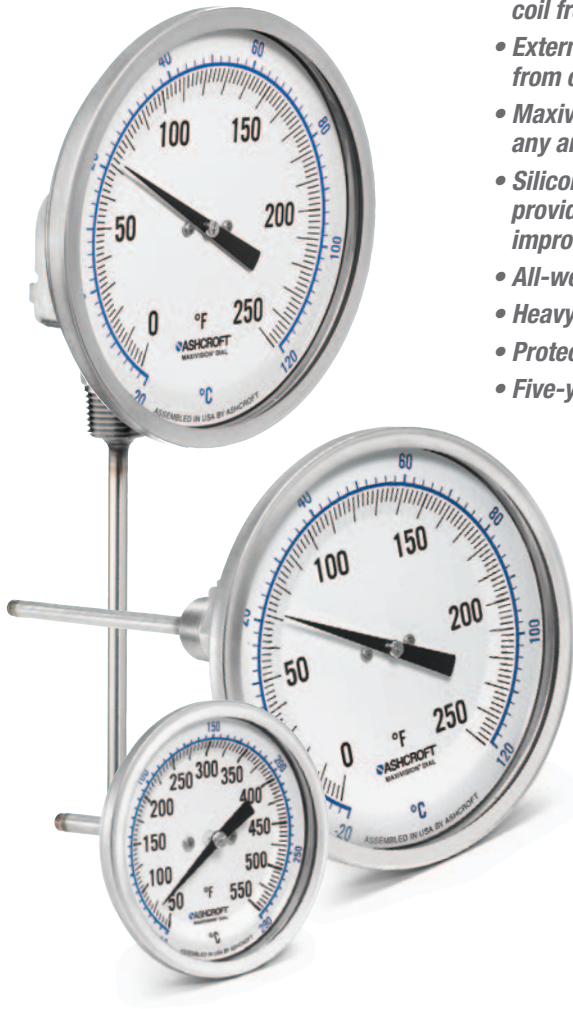
- 1% full span accuracy ASME B40.200 (ASME B40.3 Grade A)
- Maximum ambient temp. is 200°F (94°C)
- Hermetically sealed case to prevent entry of moisture, interior corrosion and coil freeze-up.
- External adjustment permits zero reset from outside the case.
- Maxivison® dial allows readability from any angle without parallax error.
- Silicone coil dampening (up to 400°F) provides vibration dampening and improves response time.
- All-welded SS construction
- Heavy-Duty glass lens
- Protection NEMA 4X/IP66
- Five-year limited warranty

SPECIFICATIONS

- Ashcroft®**
Series: EI
Dial Sizes: 2", 3", 5"
Stem Length: 2½"-60" (1)
Case & Stem: 304 SS, hermetically sealed
Stem Dia: .250"
Window: Heavy-duty glass, plastic or shatterproof glass optional
Dial: Maxivision®, black figures on white background
Pointer: Black
Connection: Plain, pointed plain, ¼ NPT, ½ NPT, ½ NPT union and ½ NPT adjustable union
Connection Location: Everyangle™, Lower, Rear
Ranges: -80/120°F-200/1000°F
 -50/50°C-100/500°C
Options:
Code Description
C4 Individual calibration cert.
XCS Dual scale(2)
XDM Dial marking
XNH SS tag
XNN Paper tag
XPD Plastic window
XSG Shatter proof glass
X3B 3/8" stem dia. with ½ NPT
X02 ¼ NPT when ½ NPT is standard(3)
XS1 Silicone free
XYW 316 SS Housing(4) and stem

(1) 25"-60" lengths available, consult factory
 (2) Dual scale available with 3" and 5" case only
 (3) Only available on rear connection
 (4) Only available on 5" Everyangle™

Thermowells must be used on all pressure or velocity applications, to protect the stem of thermometer from corrosion and physical damage, and to facilitate removal of the thermometer without disturbing the process. Maximum ambient temperature is 200°F (95°C).



HOW TO ORDER

Dial Size: 3" Code 30 _____ 30 EI 60 R 040 0/250°F XNH
 Case Style: EI _____
 Stem Connection: ½ NPT Code 60 _____
 Stem Location: Rear Code R _____
 Stem Length: 4" Code 040 _____
 Range: Code 0/250°F _____
 Options: Stainless steel tag _____

All specifications are subject to change without notice.
 All sales subject to standard terms and conditions.
 © 2017 Ashcroft Inc. 07/17

EI Series Bimetal Thermometers

EI Series selection table

Case	Size	Dial Code	Style Code	Stem			Stem Lengths Available		Temperature Range						
				Conn.	Code	Location	Code	"S" Length (inches)	Code	°F* Fahrenheit	°/Div.	Fig. Inter.	°C Celsius	°/Div.	Fig. Inter.
2"	20			Plain	40	Rear	R	2 1/2	025	-80/120	2	20	-50/50	1	10
				Pointed	50					-20/120††			-10/110		
				1/4 NPT	60					-40/120	1	10	-20/120	2	20
3"	30			1/2 NPT Union	42	Everyangle	E	4	040	30/130††	2	20	0/50††	1	5
				1/2 NPT	60					0/200			0/100		
				1/2 NPT	60					20/120	50	10/150	2	20	
				1/2 NPT	60					0/250		0/200	2	20	
				1/2 NPT Union	42					15	150	50/300	5	50	0/300††
1/2 NPT	60	18	180	50/400	50/400†	5	50								
5"	50			1/2 NPT Union	42	Everyangle	E	24	240	50/550	10	100	50/450**†	5	50
				1/2 NPT	60					200/700†			100/500**†		
				1/2 NPT	60					12	120	0/250	0/200	2	20
				1/2 NPT	60					15	150	50/300	0/300††	5	50
				1/2 NPT	60					18	180	50/400	0/400†	5	50
				1/2 NPT	60					24	240	50/550	50/450**†	5	50

CONTACT FACTORY FOR ADDITIONAL STEM LENGTHS AND RANGES NOT LISTED

EI Series dual scale ranges

Dual scales are available in 3" and 5" dial sizes in the following ranges:

Inner	Outer
-80/120°F	and -60/50°C
-40/120°F	and -40/50°C
-40/160°F	and -40/70°C
-20/120°F	and -30/50°C††
0/200°F	and -20/90°C
0/250°F	and -20/120°C
30/130°F	and 0/55°C††
50/300°F	and 10/150°C
50/400°F	and 10/200°C
50/550°F	and 10/290°C
100/800°F	and 50/400°C†
200/700°F	and 100/370°C†
200/1000°F	and 100/550°C**†

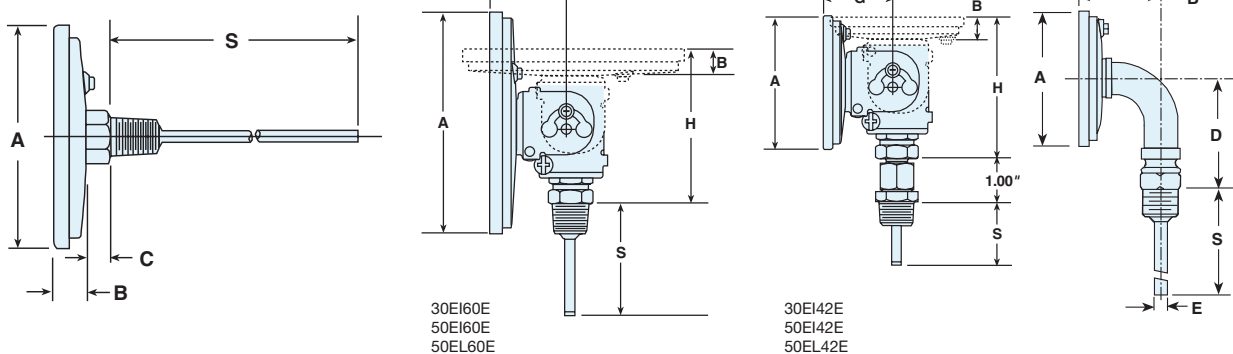
EI Dimensions

Case Series	Dial	Connection Location	A	B	C	D	E	G	H	S	NPT	Hex	Weight in ounces ⁽³⁾	
													S - 2 1/2"	
EI	2"	Rear (Plain)	2 ³ / ₃₂ (53)	3 ³ / ₈ (10)	3 ³ / ₈ (8)	-	-	-	-	- ⁽²⁾	-	11/16	4 1/2	
EI	2"	Rear (Plain, pointed stem)	2 ³ / ₃₂ (53)	3 ³ / ₈ (10)	3 ³ / ₈ (8)	-	-	-	-	- ⁽²⁾	-	11/16	4 1/2	
EI	2"	Rear (Threaded)	2 ³ / ₃₂ (53)	3 ³ / ₈ (10)	3 ³ / ₈ (8)	-	-	-	1/4	- ⁽²⁾	4 1/2	11/16	4 1/2	
EI	3"	Rear	3 ³ / ₃₂ (80)	1 ⁹ / ₃₂ (15)	3 ³ / ₈ (8)	-	-	-	1/2	- ⁽²⁾	1/4	7/8	7	
EI	3"	Lower	3 ³ / ₃₂ (80)	1 ²⁷ / ₃₂ (47)	-	-	2 ⁵ / ₈ (67)	1/4 (6)	-	1/2	- ⁽²⁾	1/2	7/8	11
EI	3"	Everyangle	3 ³ / ₃₂ (80)	1 ⁹ / ₃₂ (15)	-	-	1 ²⁷ / ₃₂ (42)	3 ¹ / ₃₂ (89)	- ⁽²⁾	1/2	1/2	7/8	10	
EI	5"	Rear	5 ¹ / ₃₂ (128)	2 ³ / ₃₂ (18)	3 ³ / ₈ (8)	-	-	-	-	- ⁽²⁾	1/2	7/8	16	
EI	5"	Lower	5 ¹ / ₃₂ (128)	1 ¹⁵ / ₁₆ (49)	-	-	3 ⁵ / ₈ (92)	1/4 (6)	-	- ⁽²⁾	1/2	7/8	26	
EI	5"	Everyangle	5 ¹ / ₃₂ (128)	2 ³ / ₃₂ (18)	-	-	1 ⁷ / ₈ (48)	3 ²¹ / ₃₂ (93)	- ⁽²⁾	1/2	1/2	7/8	25	

NOTES:

- Figures in parenthesis () are in millimeters. All other dimensions are in inches.
- Standard "S" dimensions are 2 1/2, 4, 6, 9, 12, 15, 18 and 24 inches. Standard stem diameter is 1/4 inch.
- Add 1 oz. for every 2 inches of stem length.

DIMENSIONS



All specifications are subject to change without notice.
All sales subject to standard terms and conditions.
© 2017 Ashcroft Inc. 07/17

Overtemperature limits

Top of Range °F	Maximum Over Temperature
up to 250	100% of span
251/550	50% of span
551/1000	800°F **

*Dual scale ranges available for all standard °F ranges (3" and 5" F case only)

**Satisfactory for continuous service up to 800°F or 425°C. Can be used for intermittent service from 800 to 1000°F, or 425 to 500°C. Use Ashcroft Duratemp® thermometers for ranges above and below those listed above.

†Minimum stem length for these ranges is 4".

††Minimum stem length for lower connection and Everyangle is 4".