



## ***Economical Balances For Routine Weighing Applications***

Offering accuracy and repeatability in essential weighing applications in laboratory, industrial and education settings, PR Analytical and Precision Balances deliver competitive performance at an economical price. Featuring RS-232 connectivity for easy communication, and a backlit display and a simple interface for uncomplicated operation, the PR is perfectly designed for your workplace.

### ***Standard Features:***

- **Basic Functionality for Routine Weighing Applications**

The PR is equipped with three essential weighing modes, RS-232 connectivity for data transfer and storage, making it ideal for routine weighing applications.

- **Designed for Uncomplicated Operation with Easy-to-Use Display and Interface**

Equipped with an easy-to-read, bright backlit display and a simple user interface, the PR is incredibly easy to operate, with almost no training required.

- **Smart Design and Durable Construction**

The PR's small footprint saves desktop space while providing a large weighing surface. The PR is durably constructed, and features a stainless steel pan to withstand day-to-day use in the workplace.



# PR SERIES *Analytical and Precision Balances*



Model (InCal™)		PR124	PR224							
Model (ExCal)	PR64/E	PR124/E	PR224/E	PR223/E	PR523/E	PR1602/E	PR2202/E	PR4202/E	PR2201/E	PR4201/E
Capacity (g)	62	120	220	220	520	1600	2200	4200	2200	4200
Readability (g)	0.0001			0.001				0.1		
Repeatability stdev (g)	0.0001			0.001		0.01			0.1	
Linearity (g)	±0.0002			±0.002		±0.02			±0.2	
Stabilization Time (s)	4			2		1				
Units	g, mg, ct, dwt, grain, oz, ozt					g, kg, ct, dwt, grain, oz, ozt, lb				
Applications	Basic Weighing, Parts Counting, Percent Weighing									
Pan Size Ø	3.54 in. / 90 mm			4.72 in. / 120 mm		7.09 in. / 180 mm				
Draftshield Size	6.8 × 5.1 × 8.1 in. / 172 × 131 × 205 mm					N/A				
Power supply	Power input: 100–240V ~ 200mA 50–60Hz 12–18VA Power output: 12 VDC 0.5A									
Overall Dimensions (W × D × H)	7.9 × 12.5 × 11.9 in. / 201 × 317 × 303 mm					7.9 × 12.5 × 3.7 in. / 201 × 317 × 93 mm				
Operating Conditions	50° F to 86° F / 10° C to 30° C									
Storage Conditions	14° F to 140° F / -10° C to 60° C at 10% to 90% relative humidity, non-condensing									
Net Weight	10 lb / 4.5 kg					7.7 lb / 3.5 kg				
Shipping Weight	15.4 lb / 7 kg					11 lb / 5 kg				
Shipping Dimensions (W × D × H)	20 × 15 × 21 in. / 507 × 387 × 531 mm					21.5 × 15 × 11.5 in. / 550 × 385 × 291 mm				

# PR SERIES *Type Approved Balances*



## Economical Balances For Legal-For-Trade Applications

The PR Series is NTEP certified and Measurement Canada approved, making it suitable for legal-for-trade applications in the United States and Canada. The PR is equipped with basic weighing, parts counting and percent weighing applications, and is capable of displaying weight in grams, milligrams, carats, ounces, and more. The PR can also be connected to point-of-sale systems or printers via its standard RS-232 port, or via USB or Ethernet through an interface kit. Featuring an easy-to-read, brightly-lit display and a simple user interface, the PR is well-constructed for long-term use, and delivers competitive performance at an economical price.

Model (InCal™)	PR323N	PR523N	PR322N	PR522N	PR822N	PR2202N	PR5202N	PR2201N	PR5201N	PR6201N	
Model (ExCal)	PR323N/E	PR523N/E	PR322N/E	PR522N/E	PR822N/E	PR2202N/E	PR5202N/E	PR2201N/E	PR5201N/E	PR6201N/E	
Capacity (g)	320	520	320	520	820	2200	5200	2200	5201	6200	
Readability d (g) (LFT off)	0.001		0.01				0.1				
Readability d (g) (LFT on)	0.00[1]		0.01		0.1	0.0[1]		0.1		1	
Verification Scale Interval e (g) (LFT on)	0.01				0.1				1		
Class	II				III	II				III	
Repeatability stdev (g)	0.001				0.01		0.1				
linearity (g)	±0.002				±0.02		±0.2				
Stabilization Time (s)	2				1						
Units	g, mg, ct, dwt, grain, oz, ozt				g, kg, ct, dwt, grain, oz, ozt, lb						
Applications	Basic Weighing, Parts Counting, Percent Weighing										
Pan Size Ø	4.72 in. / 120 mm				7.09 in. / 180 mm						
Draftshield Size	6.8 × 5.1 × 8.1 in. / 172 × 131 × 205 mm				N/A						
Power supply	Power input: 100–240V ~ 200mA 50–60Hz 12–18VA Power output: 12 VDC 0.5A										
Overall Dimensions (W × D × H)	7.9 × 12.5 × 11.9 in. / 201 × 317 × 303 mm					7.9 × 12.5 × 3.7 in. / 201 × 317 × 93 mm					
Operating Conditions	50° F to 86° F / 10° C to 30° C										
Storage Conditions	14° F to 140° F / -10° C to 60° C at 10% to 90% relative humidity, non-condensing										
Net Weight	10 lb / 4.5 kg				7.7 lb / 3.5 kg						
Shipping Weight	15.4 lb / 7 kg				11 lb / 5 kg						
Shipping Dimensions (W × D × H)	20 × 15 × 21 in. / 507 × 387 × 531 mm				21.5 × 15 × 11.5 in. / 550 × 385 × 291 mm						

# PR SERIES *Analytical and Precision Balances*

## Other Standard Features and Equipment

ABS top housing, removable stainless steel pan, glass draftshield with sliding top door, integrated weigh-below-hook, security bracket, calibration lock, user-selectable environmental filters and brightness settings, auto-tare, auto-dim, user-selectable span calibration points, software lockout and reset menu, user-selectable communication settings and data print options, user-definable project and user IDs, software overload/underload indicator, stability indicator

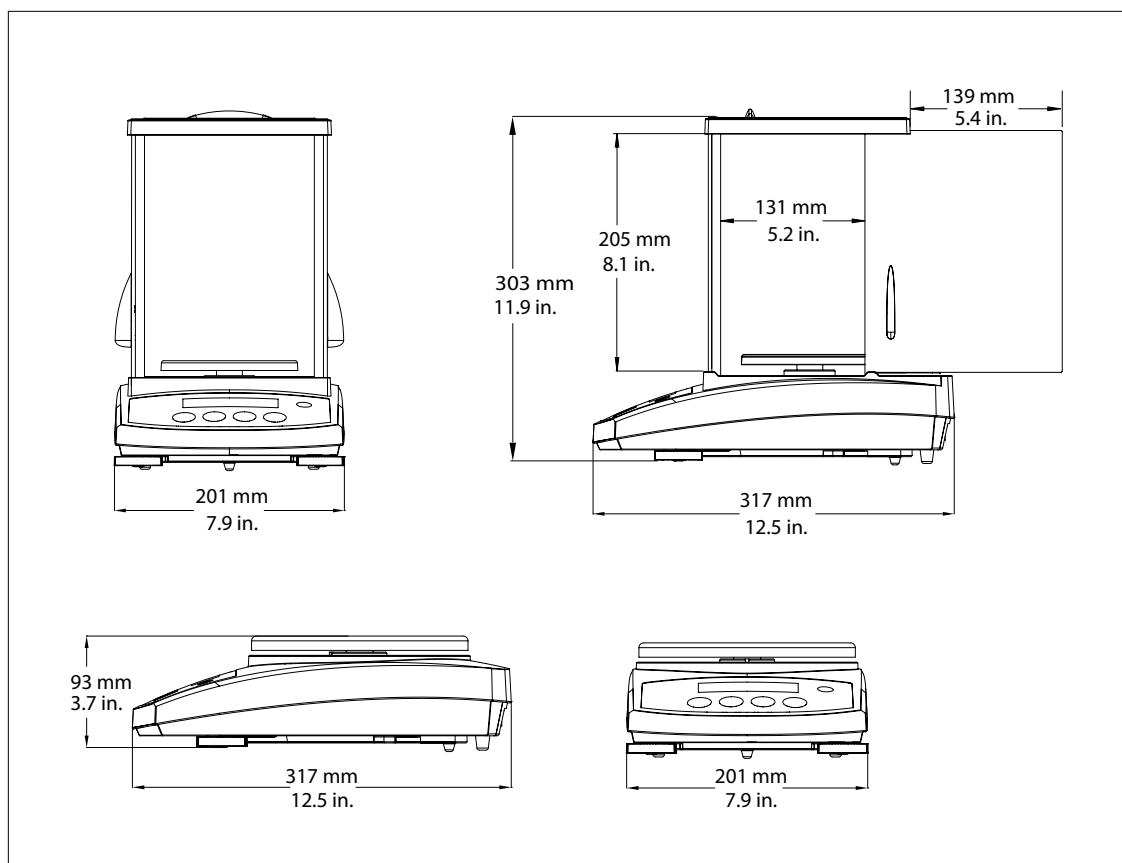
## Compliance

- **Metrology:** NIST Handbook 44; Canada Weights and Measures Regulations (PR...N models only)
- **Product Safety:** IEC/EN 61010-1; CAN/CSA C22.2 61010-1; UL 61010-1
- **Electromagnetic Compatibility:** IEC/EN 61326-1 Class B, Basic Environments; FCC Part 15 Class A; Canada ICES-003 Class A
- **Compliance Marks:** CSA

## Accessories

Auxiliary Display .....	30472064	In-use Cover .....	30372547
Density Kit .....	80253384	Printer SF40A .....	30064203
RS-232 Cable (9-pin).....	80500525	Interface Kit, RS-232 (USB).....	30304101
Dust Cover .....	30093334	Interface Kit, RS-232 (Ethernet).....	30304102

## Dimensions



765255\_E 20190503 © Copyright OHAUS Corporation

