

VerifEye™ Series 2000 Three Phase Meters

Sub-Metering Solutions for Accurate Measurement & Verification



DEFINITION

The Leviton VerifEye™ Series 2000 line of revenue-grade meters meets all measurement and verification-based opportunities - including load management and LEED rating achievement. It is also California Weights and Measures approved. Designed to provide a simple and effective process for accurately capturing measurements of power consumption, Series 2000 meters are easy to specify and install for new construction and retrofits.

- Approved for California Weights & Measures
- 3-Phase, 4-Wire applications, 120/208V or 277/480V
- kWh and demand (optional)
- Large LCD display
- Isolated pulse output channel
- 100A-1200A Services

Leviton meters utilize highly accurate current transformers for revenue-grade performance certified to ANSI standards. Competing products use current sensors that do not provide the same level of performance. Leviton offers Current Transformers (CTs) in solid and split core styles to accommodate all phases of installation and construction.

Solid core CTs are ideal for new construction, when power is not live and wires can easily be threaded through the core. Split core CTs can be installed at any time without having to disconnect wire terminations, making them the optimal choice for retrofitting an existing structure. Split core CTs close securely for fast, precise installation with no need for time-consuming tie wraps and no worries about improper seating or core half separation. Both solid and split core CTs offer high quality, long term accuracy and reliability.

Every Series 2000 meter has an installer-friendly feedback feature. The red reverse phase indicator acts as an installation diagnostics tool and illuminates if a meter is improperly installed. After installation, the green duty cycle light shows that the meter is collecting electrical consumption data at the appropriate rate. All 100 and 200 Amp solid core CTs have color-coded labels to easily identify and correctly land the wires at the meter.

VerifEye™ Series 2000 Three Phase Meters

PRODUCT DATA

APPLICATIONS

Use Series 2000 meters in commercial, institutional, industrial and government applications for:

- Load profiling and benchmarking
- AMR integration
- Usage aggregation
- Tenant cost allocation
- Measurement and verification
- Energy conservation and cost reduction
- Green building initiatives and government mandates

FEATURES

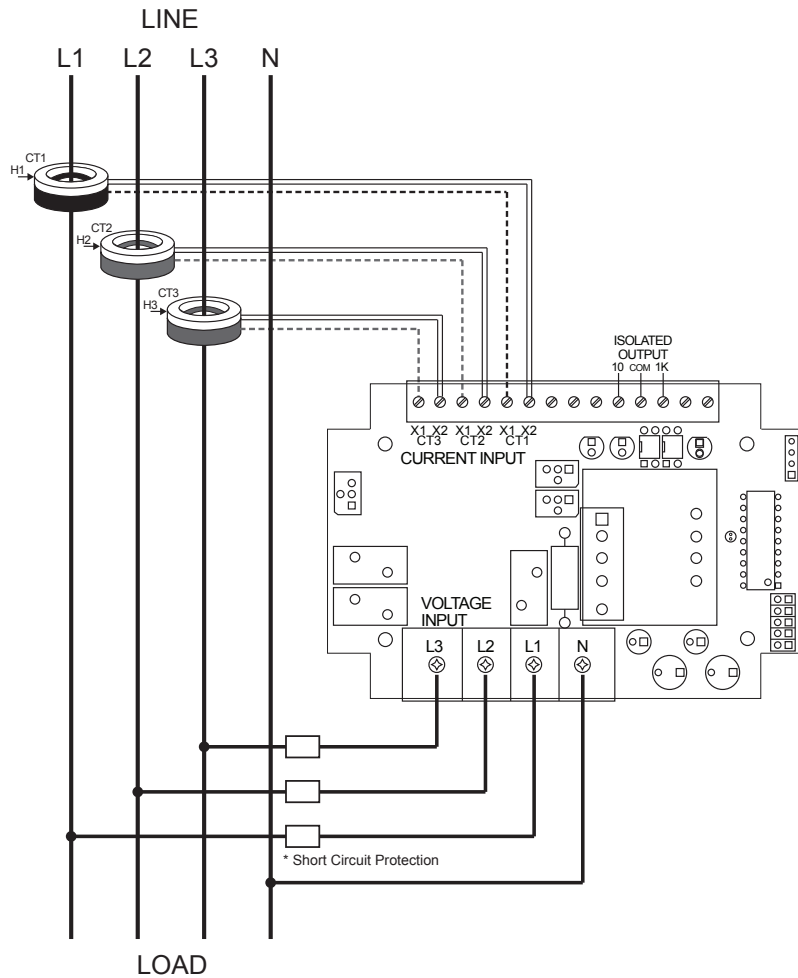
- Measures kWh and demand (optional)
- Approved for California Weights & Measures tenant billing applications (100A/200A/400A versions)
- Conform to all applicable standards of ANSI C12.1
- Equipped with an Isolated Pulse Output channel
- Utilizes revenue grade 0.3% accuracy class 0.1A secondary solid core CTs that conform to all applicable ANSI requirements or 1.0% accuracy split-core CTs
- Up to three sets of CTs per phase can be paralleled per meter without the need for a meter multiplier
- Enclosures include surface mount industrial grade JIC steel indoor and NEMA 4X outdoor
- Interfaces with numerous communication systems - Hardwired Automatic Meter Reading (AMR) or wireless AMR
- Large LCD display shows kWh and instantaneous and peak demand (optionally) with manual keyed reset
- Load Indicator LED verifies meter functionality
- Reverse Phase Indicator LED illuminates if the meter is improperly installed
- UL/cUL Listed for UL 916 Energy Monitoring Equipment
- Five year warranty
- California Weights and Measures approved

CONFIGURATIONS*

AMPERAGES	PHASE/VOLTAGES
100-1200A	3Ø/4W - 120/208/240V
100-1200A	3Ø/4W - 277/480V

* Contact factory for non-US voltage configurations.

THREE ELEMENT SERIES 2000 HOOKUP DIAGRAM



Leviton recommends solid core transformers (CTs) for revenue-grade accuracy. Our 100A and 200A color coded CTs assist with correct installation by indicating phase monitored. Split core CTs are also available upon request for applications where power cannot be interrupted during installation. Our 100-1, 200 Amp Split Core CTs offer +/-1.0% accuracy.

ORDERING INFORMATION Series 2000 Three Phase Meters

NOTE: Current Transformers (CTs) sold separately - see Current Transformers product data sheet for ordering information

CAT. NO.*	DESCRIPTION
INDOOR THREE ELEMENT METER, 3PH 4W	
2N208-xxx	120/208V
2N480-xxx	277/480V
OUTDOOR THREE ELEMENT METER, 3PH 4W	
2R208-xxx	120/208V
2R480-xxx	277/480V

* When ordering a Series 2000 Meter, replace xxx with the following to indicate amperage ratings:

- 011: 100:0.1A, Max 100A
- 021: 200:0.1A, Max 200A
- 041: 400:0.1A, Max 400A
- 081: 800:0.1A, Max 800A
- 121: 1200:0.1A, Max 1200A
- Demand Option (for indoor models only): replace the last digit in the suffix with a "D"

ORDERING INFORMATION

Series 2000 Three Phase Meter Kits

NOTE: All kits include meter, specified enclosure and Current Transformers (CTs)

The following products are also part of the Leviton VerifEye line of integrated sub-metering solutions:

- Series 1000 Meters
- Series 2000 Meters
- Series 3500 Smart Meters
- Series 4000/4100 Industrial ModBus Meters
- Series 8000 Multi-Point Meters
- EMH+ Integrated Meter & Hub
- 0.5% Mini Meters
- Multiple Meter Units (MMUs)
- Current Transformers (CTs)
- BiSuite
- Building Manager Online (BMO) 3.0
- Energy Manager Monitoring Software

VerifEye™ Series 2000 Three Phase Meters

Voltage	Amps	CTs Included	Leviton P/N
120/208V 3 PH 4 W WYE kWh Meter	100	3 Split CTs	2K208-01W
	200	3 Split CTs	2K208-02W
	400	3 Split CTs	2K208-04W
	800	3 Split CTs	2K208-08W
	1200	3 Split CTs	2K208-12W
	100	3 SOLID CTs	2K208-1SW
	200	3 SOLID CTs	2K208-2SW
277/480 3 PH 4 W WYE kWh Meter	100	3 Split CTs	2K480-01W
	200	3 Split CTs	2K480-02W
	400	3 Split CTs	2K480-04W
	800	3 Split CTs	2K480-08W
	1200	3 Split CTs	2K480-12W
	100	3 SOLID CTs	2K480-1SW
	200	3 SOLID CTs	2K480-2SW
120/208V 3 PH 4 W WYE Demand Meter	100	3 Split CTs	2K208-01D
	200	3 Split CTs	2K208-02D
	400	3 Split CTs	2K208-04D
	800	3 Split CTs	2K208-08D
	1200	3 Split CTs	2K208-12D
277/480V 3 PH 4 W WYE Demand Meter	100	3 Split CTs	2K480-01D
	200	3 Split CTs	2K480-02D
	400	3 Split CTs	2K480-04D
	800	3 Split CTs	2K480-08D
	1200	3 Split CTs	2K480-12D

Series 2000 Three Phase Meter Kits Outdoor Enclosure

Voltage	Amps	CTs Included	Leviton P/N
120/208V 3 PH 4 W WYE kWh Meter	100	3 Split CTs	20208-01W
	200	3 Split CTs	20208-02W
	400	3 Split CTs	20208-04W
	800	3 Split CTs	20208-08W
	1200	3 Split CTs	20208-12W
277/480V 3 PH 4 W WYE kWh Meter	100	3 Split CTs	20480-01W
	200	3 Split CTs	20480-02W
	400	3 Split CTs	20480-04W
	800	3 Split CTs	20480-08W
	1200	3 Split CTs	20480-12W