

14 Series

Mechanical Totalizer



The 14 Series is a compact, 5 figure, non-reset totalizer in a molded case with stainless steel shaft. Four types of drives are available and four case configurations. An ideal solution when application requirements call for a low cost and compact totalizer.

Key Features

- Four types of rotations
- Choice of four case configurations
- Built-in non-overthrow mechanism on stroke counters
- Built-in internal stops on stroke counters
- 5 Figure: white on black background

Options

- Mounting

Applications

Circuit breakers



Vending machines



Gaming machines

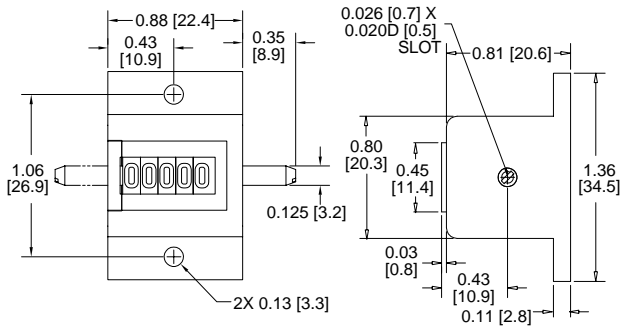


Business and office equipment

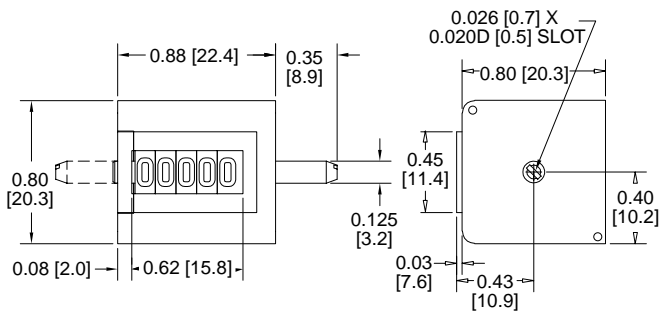


Dimensions

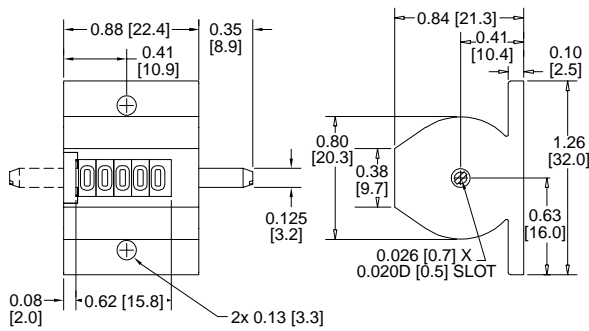
Square Case Base Mount



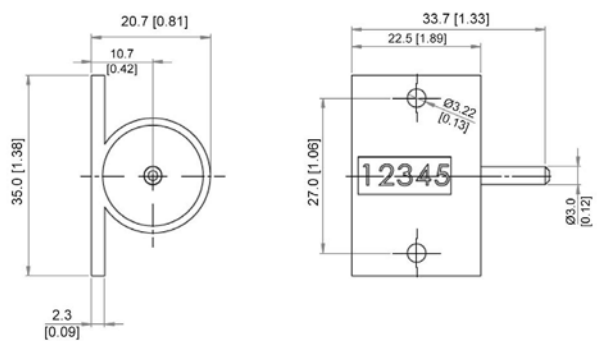
Square Case Without Flange



Round Case Mount

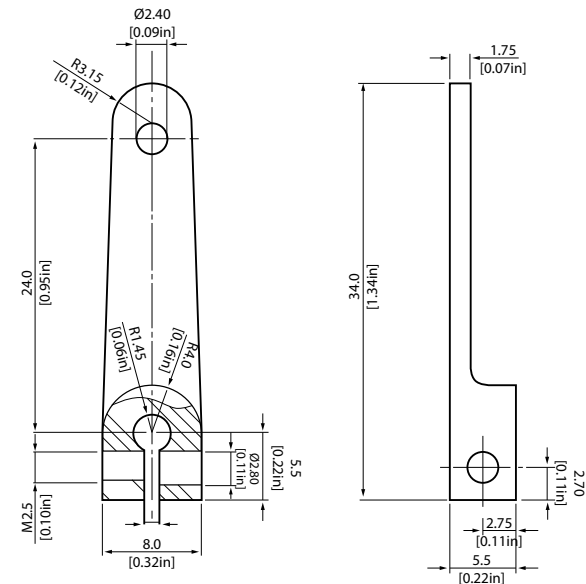


Round Case Panel Mount



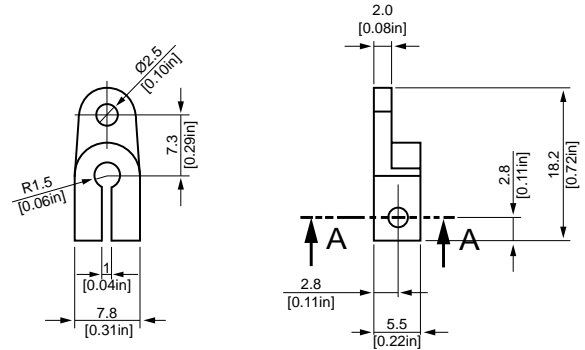
Standard Lever (AB17R)

Shipped with Totalizer



Optional Lever (AX7)

Ordered Separately



Specifications

Figures	5 figures, white on black, 0.16" [4mm] high	Case Types:	Square base mount Square - no flange Round base mount Round panel mount
Reset	Non-reset	Lever Types	AB17R lever (standard) AX7 (option)
Rotation	Top-coming or top-going	Drive Types	
Shaft Extension	Right-hand or left-hand	Stroke	typical count stroke 39° to 48° typical total stroke 50° to 52°
Shaft Diameter	0.125" [3.2mm]		
Speed	Stroke: 1,000 counts/minute		
Weight	0.5 oz. [14g]		
Temperature	-40°F to +160°F [-40°C to +71°C]		
Operating Torque at 75°F	Stroke; 0.8 to 2.0 in/oz		

Part Number Ordering Chart

Min Order Qty: 100 pieces

Example:

X 1 X - 14 X 5 - AX7

Case	_____	X	1	X	-	14	X	5	- AX7
1	Square								
2	Round								
Color	_____								
1	Black								
Mounting	_____								
B	Base mounting flange								
P	Panel mounting flange (available only in round case)								
N	No Flange								
Type	_____								
14	Stroke								
Rotation	_____								
1	Left Hand, Top Coming								
2	Left Hand, Top Going								
3	Right Hand, Top Coming								
4	Right Hand, Top Going								
Digits	_____								
5	5 Digit								
OPTIONS								
AX7	AX7 lever arm - replaces standard AB17R lever								

