



# Dial Indicators

## SERIES 2 — ANSI / AGD Type Metric Dial Indicator

### SPECIFICATIONS

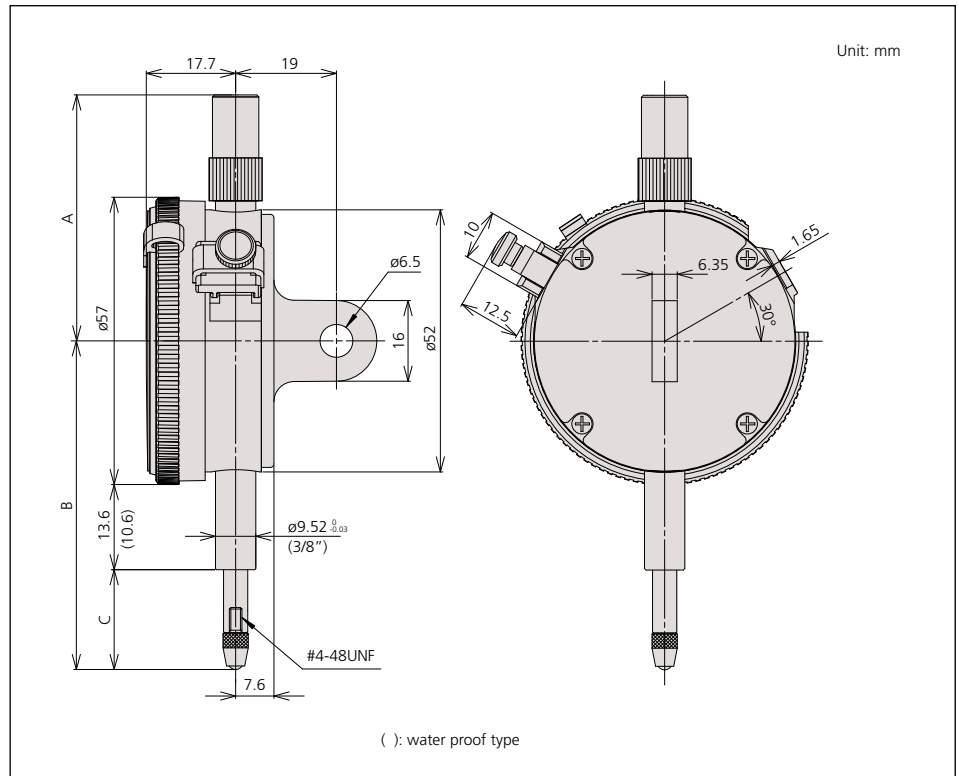
**Metric** — Stem dia. 3/8", #4-48 UNF Thread Yellow Dial Face

□ ANSI/AGD type

Graduation	Range	Range / Rev	Dial reading	Order No.		Accuracy		Measuring force	 
				w/ lug	Flat-back	First 2.5 Rev	Overall		
0.001mm	1mm	0.2mm	0-100-0	<b>2109S-11</b>	<b>2109SB-11</b>	±0.003mm	±0.004mm	1.5N or less	✓ ✓
0.001mm	5mm	0.2mm	0-100-0	<b>2119S-11</b>	<b>2119SB-11</b>	±0.007mm	±0.01mm	1.5N or less	✓
0.01mm	2.5mm	1mm	0-100	<b>2230S-01</b>	<b>2230SB-01</b>	±0.01mm	±0.01mm	1.4N or less	
0.01mm	2.5mm	1mm	0-50-0	<b>2231S-01</b>	<b>2231SB-01</b>	±0.01mm	±0.01mm	1.4N or less	
0.01mm	10mm	1mm	0-100	<b>2046S-01</b>	<b>2046SB-01</b>	±0.01mm	±0.013mm	1.4N or less	
0.01mm	10mm	1mm	0-100	<b>2046S-11</b>	<b>2046SB-11</b>	±0.01mm	±0.013mm	1.4N or less	✓
0.01mm	10mm	1mm	0-50-0	<b>2047S-01</b>	<b>2047SB-01</b>	±0.01mm	±0.013mm	1.4N or less	
0.01mm	10mm	1mm	0-50-0	<b>2047S-11</b>	<b>2047SB-11</b>	±0.01mm	±0.013mm	1.4N or less	✓
0.01mm	10mm	1mm	100-0	<b>2902S-01</b>	<b>2902SB-01</b>	±0.01mm	±0.013mm	1.4N or less	
0.01mm	20mm	1mm	0-100	<b>2050S-01</b>	<b>2050SB-01</b>	±0.01mm	±0.02mm	2.0N or less	
0.01mm	20mm	1mm	0-100	<b>2050S-11</b>	<b>2050SB-11</b>	±0.01mm	±0.02mm	2.0N or less	✓
0.01mm	25mm	1mm	0-100	<b>2056S-01</b>	<b>2056SB-01</b>	±0.01mm	±0.025mm	2.5N or less	

### DIMENSIONS

Order No.	A	B	C
<b>2109S-11</b>	48.8	51.4	9.3
<b>2119S-11</b>	48.8	55.8	13.7
<b>2230S-01</b>	48.8	53.6	11.5
<b>2231S-01</b>	48.8	53.6	11.5
<b>2046S-01</b>	48.8	61.1	19.0
<b>2046S-11</b>	48.8	61.1	19.0
<b>2047S-01</b>	48.8	61.1	19.0
<b>2902S-01</b>	48.8	61.1	19.0
<b>2050S-01</b>	38.8	71.1	29.0
<b>2050S-11</b>	38.8	71.1	29.0
<b>2056S-01</b>	38.8	76.1	34.0



#### Optional Accessories

- : Backs (See page F-33.)
- : Contact points (See page F-34.)

**Mitutoyo**

sales@calcert.com

1.888.610.7664



www.calert.com